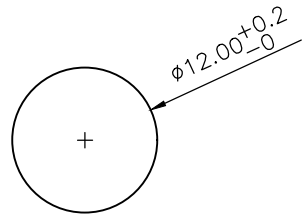
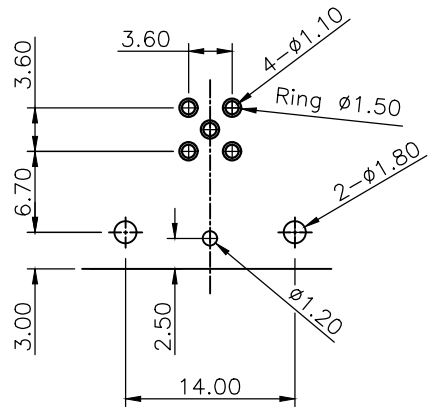
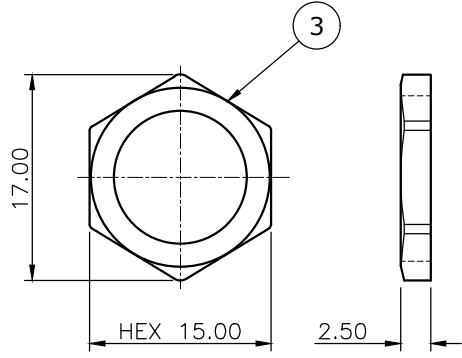
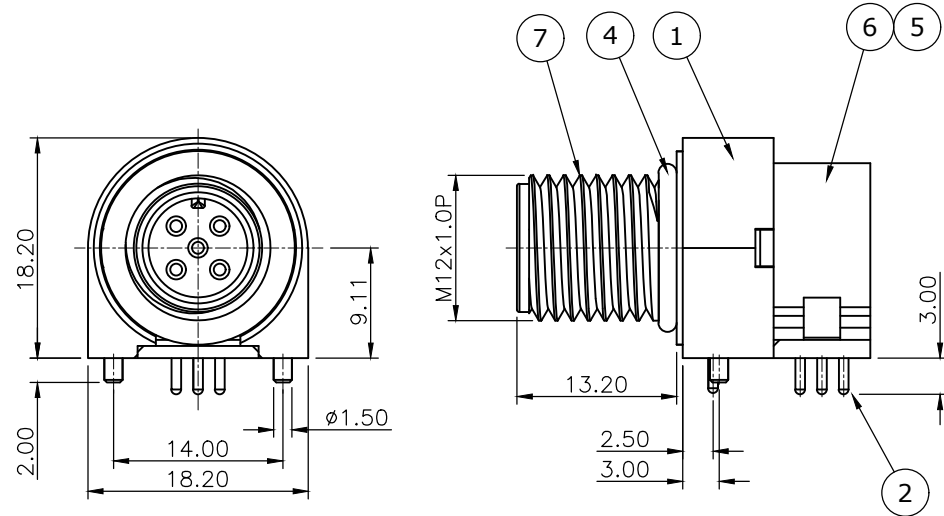


REV.	DESCRIPTION	DRAWN	DATE
1	INITIAL RELEASE	FROS	2017/06/19
1.1	ECR240702002	TIM	2024/07/02
2	Add With Shield	Michael	2025/02/24

SPECIFICATION:


1. Current Rating: 4A
2. Voltage Rating: 60V
3. Water proof: IP67
4. Operating temperature range: -40°C~+85°C



RECOMMENDED LAYOUT (TOP VIEW)
GENERAL TOLERANCE: ±0.05

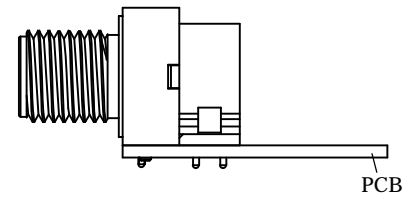
PANEL CUT OUT

7	SHELL	Brass, Nickel plating
6	BASE	PBT, UL94V-0, Black
5	BACK HOUSING	PBT, UL94V-0, Black
4	O-RING	EPDM, Black
3	NUT	Brass, Nickel plating
2	CONTACT	Brass, Gold plating over Nickel
1	COVER	PBT, UL94V-0, Black

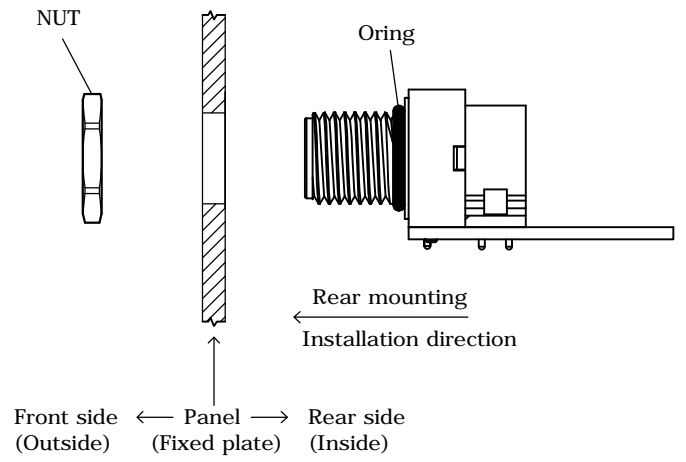
NO.		PART NAME		DESCRIPTION	
UNLESS OTHERWISE SPECIFIED TOLERANCE					
UNIT:	DECIMAL	LINEAR	ANGLES	 WWW.ATTEND.COM.TW	
	X.	±0.50	±5°		
	X.X	±0.25	±3°		
	X.XX	±0.12	±1°		
DRAWN	Michael	2025/02/24	DRAWN NAME:		
CHECKED	Fros	2025/02/24	M12 A- Code Receptacle, With Shield		
APPROVED	Ken	2025/02/24	5 Pin Male R/A DIP Front Fastened		
SCALE	1.6	SHEET	1/1	SIZE	A4
PRODUCT NO.		216A-05MRF			
FILE NAME		216A-05MRF_B_2			

REV.	DESCRIPTION	DRAWN	DATE
------	-------------	-------	------

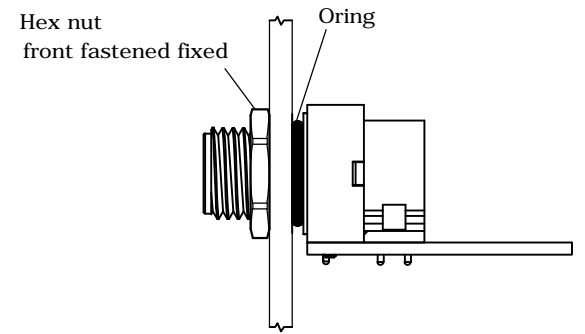
1. Soldering Board


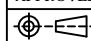


2. Installation Direction



3. Connector Mated to Panel Mount



UNLESS OTHERWISE SPECIFIED TOLERANCE					
UNIT:	DECIMAL	LINEAR	ANGLES		
mm	X.	±0.50	±5°	DRAWN NAME: M Series For Male R/A DIP Front Fastened Design Guide	
	X.X	±0.25	±3°		
	X.XX	±0.12	±1°		
DRAWN	Tim	2025/02/25	DRAWN NAME: M Series For Male R/A DIP Front Fastened Design Guide		
CHECKED	Fros	2025/02/25	PRODUCT NO.		
APPROVED	Ken	2025/02/25	FILE NAME M Series MRF_DG		
		SCALE 1/1	SHEET 1/1	SIZE A4	