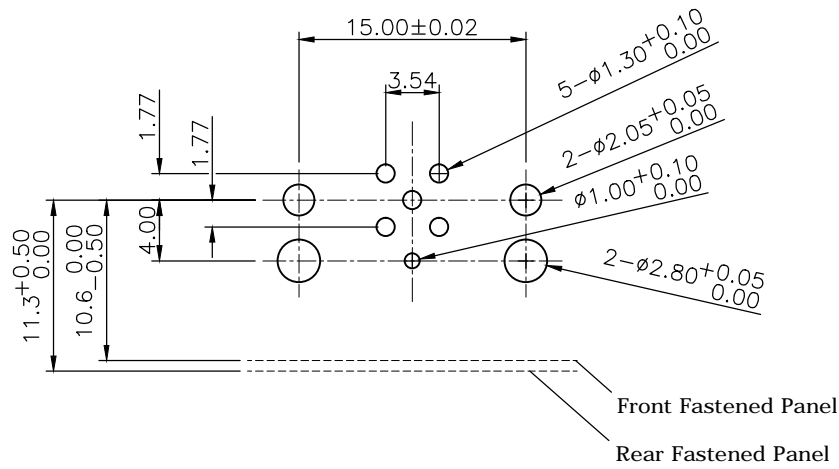
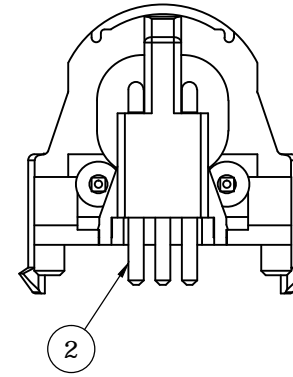
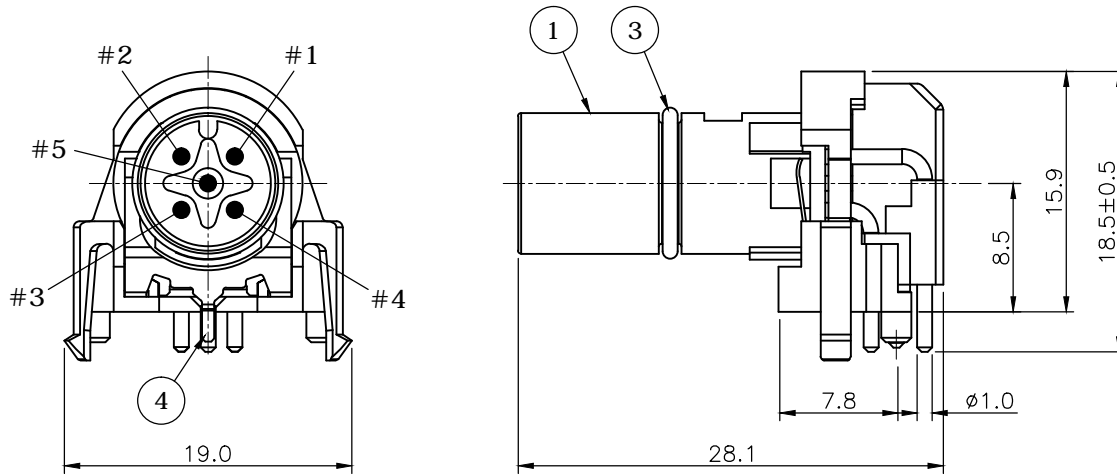


REV.	DESCRIPTION	DRAWN	DATE
1	INITIAL RELEASE	TIM	2025/05/09

NOTES:

1. Rated current: 4A
2. Rated voltage: 60V
3. Operation temperature: -40°C to +85°C



Recommended Layout (Top View)  
General Tolerance: ±0.05mm

4	GROUND	Phosphor Bronze, Nickel plating						
3	ORING	VITON						
2	CONTACT	Brass, Gold plating over Nickel						
1	HOUSING	PA9T, UL94V-0, Black						
NO. PART NAME		DESCRIPTION						
UNLESS OTHERWISE SPECIFIED TOLERANCE								
UNIT:	DECIMAL	LINEAR	ANGLES					
	X.	±0.50	±5°					
	X.X	±0.25	±3°					
	X.XX	±0.12	±1°					
DRAWN		Tim	2025/05/09	DRAWN NAME: M12 Two Piece Insert A-Code, 5Pin Male R/A DIP Type				
CHECKED		Fros	2025/05/09					
APPROVED		Ken	2025/05/09	PRODUCT NO. 216A-05MRA				
SCALE		2.0	SHEET	1/1	SIZE	A4	FILE NAME	216A-05MRA_B_1



WWW.ATTEND.COM.TW