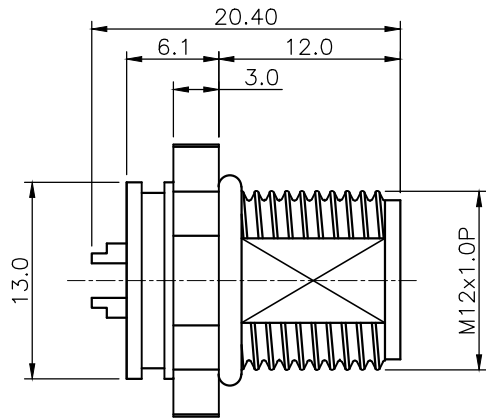


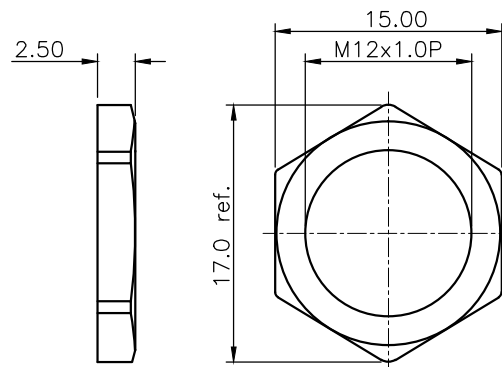
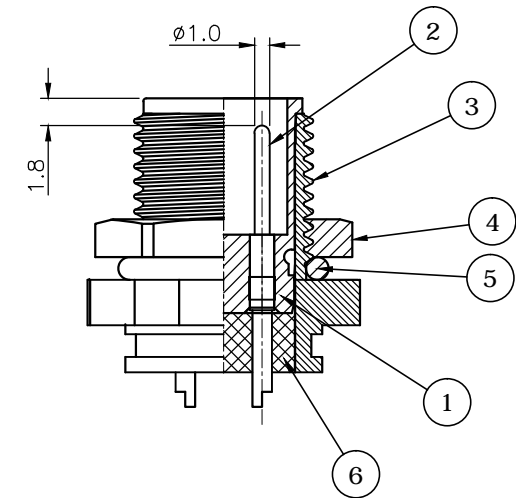
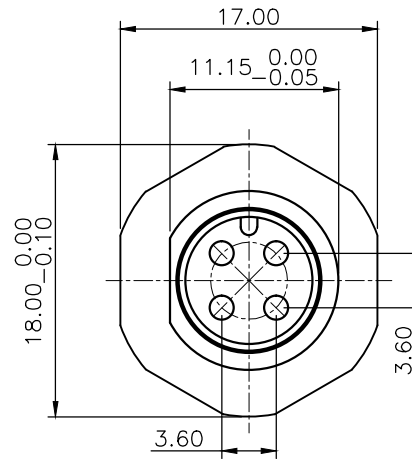
| REV. | DESCRIPTION     | DRAWN | DATE       |
|------|-----------------|-------|------------|
| 1    | INITIAL RELEASE | FROS  | 2016/03/29 |
| 2    | ECR220421001    | TIM   | 2022/04/21 |

**SPECIFICATION:**

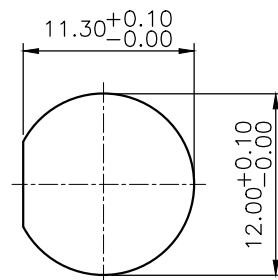
1. Current Rating: 4A
2. Voltage Rating: 250V
3. Waterproof: IPX7
4. Operating temperature range: -40°C~+85°C



**BODY**



**NUT**



**PANEL CUT-OUT**

|     |           |                                       |
|-----|-----------|---------------------------------------|
| 6   | Epoxy     | Black                                 |
| 5   | ORING     | EPDM, Black                           |
| 4   | NUT       | Brass, Nickel plating                 |
| 3   | SHELL     | Brass, Nickel plating                 |
| 2   | CONTACT   | Brass, 10u" Gold plating under Nickel |
| 1   | HOUSING   | PBT, UL94V-0, Black                   |
| NO. | PART NAME | DESCRIPTION                           |

UNLESS OTHERWISE SPECIFIED TOLERANCE

| UNIT: | DECIMAL | LINEAR | ANGLES |
|-------|---------|--------|--------|
| mm    | X.      | ±0.50  | ±5°    |
|       | X.X     | ±0.25  | ±3°    |
|       | X.XX    | ±0.12  | ±1°    |



WWW.ATTEND.COM.TW

|          |      |            |             |  |    |
|----------|------|------------|-------------|--|----|
| DRAWN    | Fros | 2016/03/29 | DRAWN NAME: | M12 A-Code Receptacle, 4 Pin Male Solder Type Front Fastened |    |
| CHECKED  | Amy  | 2016/03/29 | PRODUCT NO. | 216A-04MAF   |    |
| APPROVED | Ken  | 2016/03/29 | FILE NAME   | 216A-04MAF_B_2   |    |
| SCALE    | 2/1  | SHEET      | 1/1         | SIZE   | A4 |