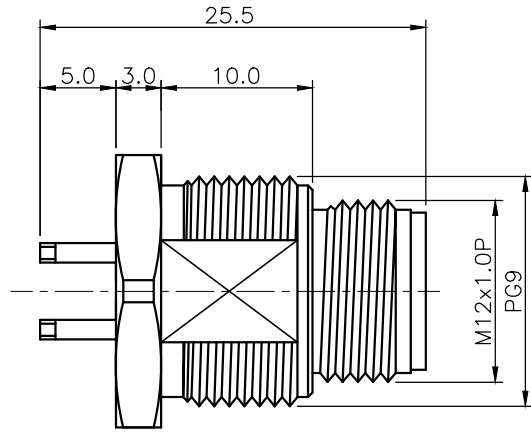
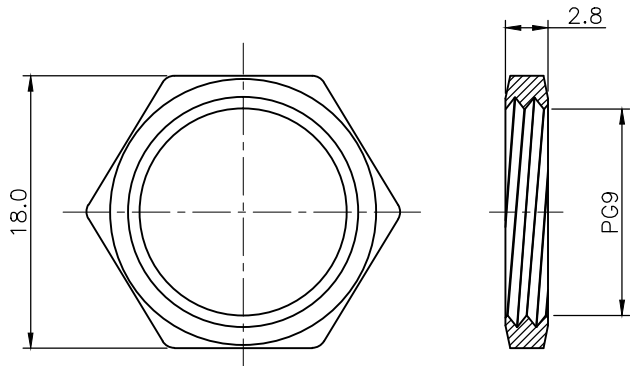
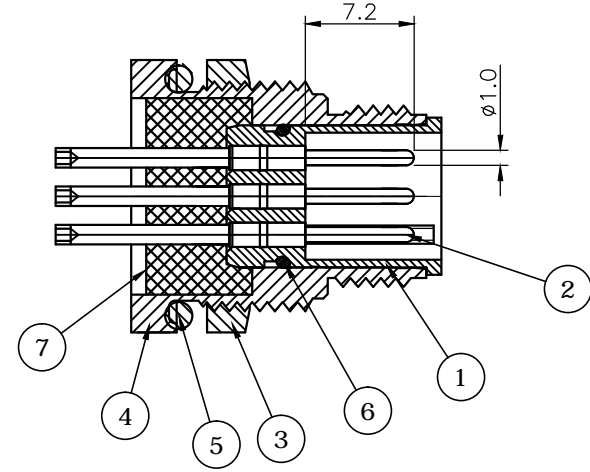
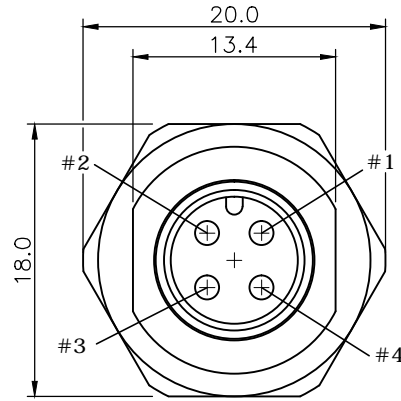


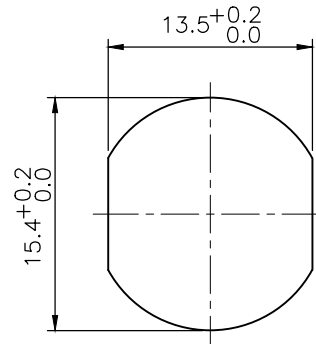
REV.	DESCRIPTION	DRAWN	DATE
1	INITIAL RELEASE	FROS	2019/10/23
2	ECR220421001	TIM	2022/04/21



BODY



NUT



RECOMMEND PANEL CUT OUT

**SPECIFICATION:**

1. CURRENT RATING: 4A
2. VOLTAGE: 250V
3. WATER PROOF: IPX7
4. OPERATION TEMPERATURE: -40°C TO +85°C

7	EPOXY	
6	O-RING	SILICONE
5	O-RING	NBR
4	SHELL	Brass, nickel plating
3	NUT	Brass, nickel plating
2	CONTACT	Brass, 10u" gold plating under nickel
1	HOUSING	PBT, UL94V-0, Black
NO	PART NAME	DESCRIPTION

UNLESS OTHERWISE SPECIFIED TOLERANCE

UNIT:	DECIMAL	LINEAR	ANGLES
mm	X.	±0.50	±5°
	X.X	±0.25	±3°
	X.XX	±0.12	±1°



WWW.ATTEND.COM.TW

DRAWN	Fros	2019/10/23	DRAWN NAME:	M12 A-Code Male Receptacle, 4 Pin, Solder Type, Front Fastened	
CHECKED	Tim	2019/10/23	PRODUCT NO.	216A-04MAF-01	
APPROVED	Ken	2019/10/23	FILE NAME	216A-04MAF-01_B_2	
SCALE	2/1	SHEET	1/1	SIZE	A4