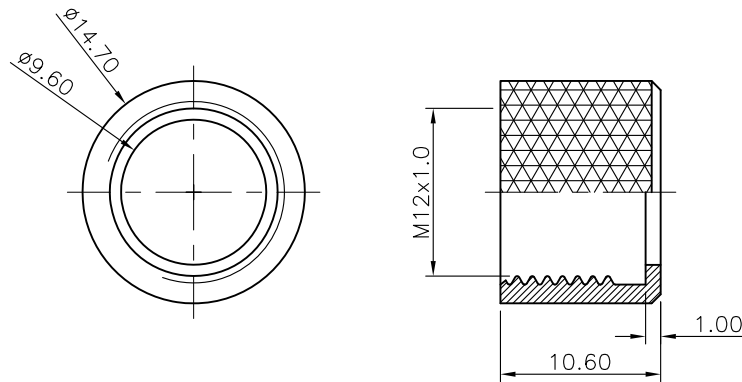
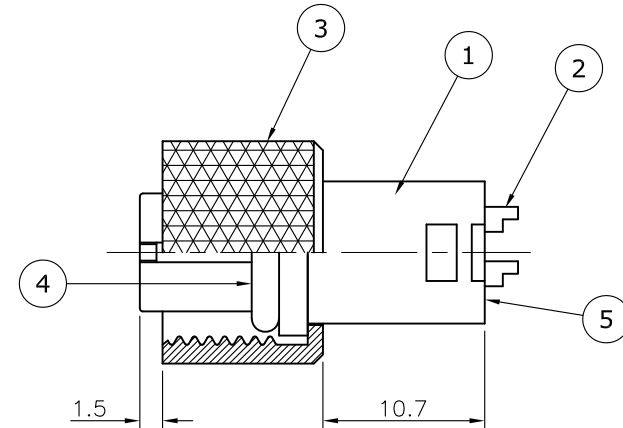
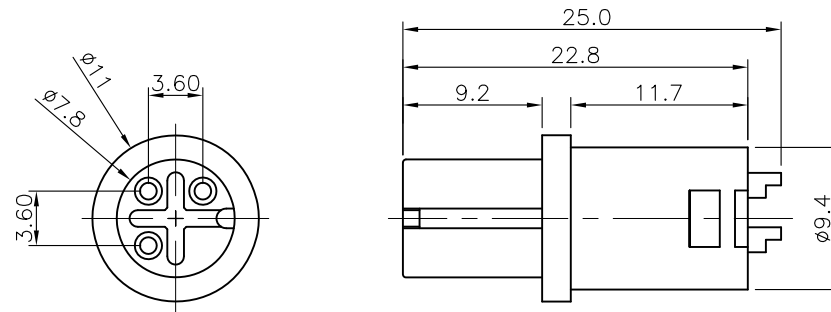


| REV. | DESCRIPTION | DRAWN | DATE |
|------|-----------------|-------|------------|
| 1 | INITIAL RELEASE | TIM | 2018/11/30 |

SPECIFICATION:

1. Current Rating: 4A
2. Voltage Rating: 250V
3. Waterproof: IPX7
4. Operating temperature range: -40°C~+85°C



| | | |
|---|---------|--------------------------------------|
| 5 | EPOXY | EF400A & EF400B, Black |
| 4 | O-RING | EPDM, Black |
| 3 | NUT | Brass, Nickel plating |
| 2 | CONTACT | Brass, 10u" Gold plating over Nickel |
| 1 | HOUSING | PBT, UL94V-0, Black |

| NO. | PART NAME | DESCRIPTION | |
|--------------------------------------|-----------|-------------|-------------------------------------|
| UNLESS OTHERWISE SPECIFIED TOLERANCE | | | |
| UNIT: | DECIMAL | LINEAR | ANGLES |
| mm | X. | ±0.50 | ±5° |
| | X.X | ±0.25 | ±3° |
| | X.XX | ±0.12 | ±1° |
| WWW.ATTEND.COM.TW | | | |
| DRAWN | Fros | 2018/11/30 | DRAWN NAME: |
| CHECKED | Tim | 2018/11/30 | M12 A-Code Plug for Cable |
| APPROVED | Ken | 2018/11/30 | 3Pin Female For Overmold with Cable |
| SCALE | SHEET | SIZE | PRODUCT NO. |
| 2/1 | 1/1 | A4 | 216A-03FO0 |
| FILE NAME | | | 216A-03FO0_B_1 |

