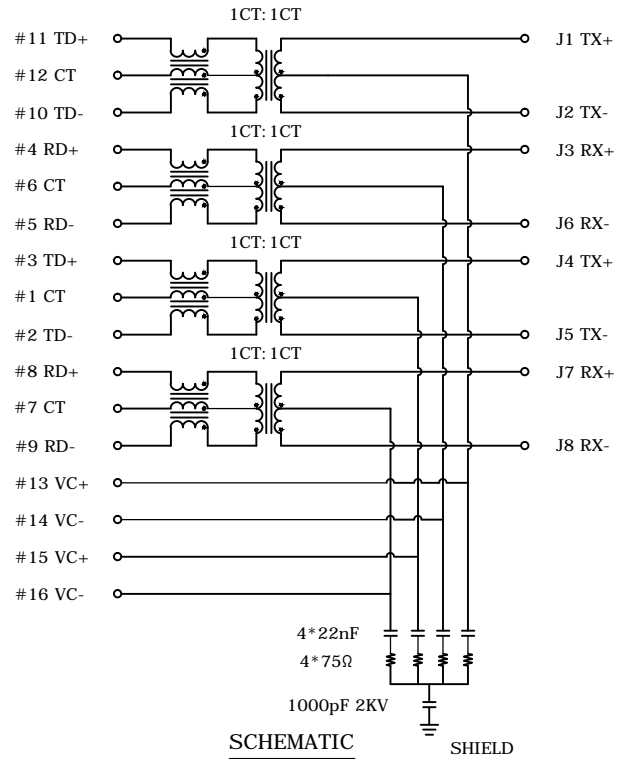
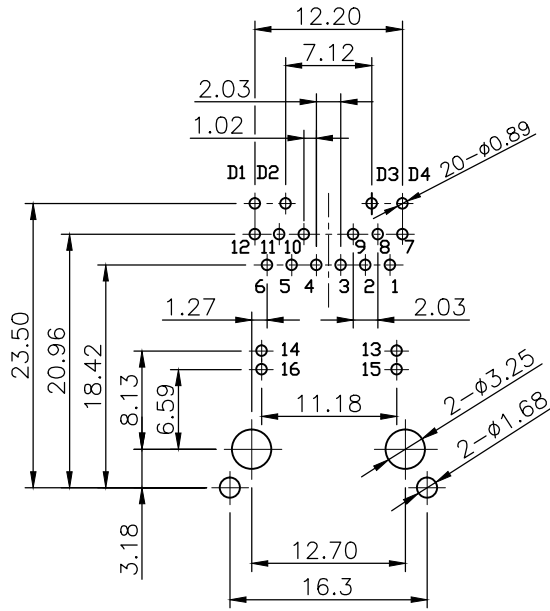


CONNECTOR SOLDER SIDE

RJ45 CONTACT SIDE



SCHMATIC



REV.	DESCRIPTION	DRAWN	DATE
1	INITIAL RELEASE	FROS	2016/03/18
2	ECR220607001	TIM	2022/06/07
3	ECR240102001	TIM	2024/01/02

Notes:

Characterization Description:

1. RJ45 GIGA+POE Base-Tx Transformer Jack With Transformer Impedance Resistor/High Voltage Capacitor.
2. Size Same As RJ-45 Modular Jack To Save PCB Space.
3. Reduce EMI Radiation, Improve EMI Performance.
4. Designed For Network Interface Card Application.
5. Designed To Meet IEEE 802.3ab Requirement.
6. Designed For 1000+ POE Base Transmission over UTP-5 Cable.

Electrical Specifications:

1. Inductance At 100 KHz, 100 mV 8mADC Bias: 350 uH Min.
2. Leakage Inductance 0.3 uH Max. @100KHz 100mV
3. Insertion Loss: 1.1 dB Max. @ 1-100 MHz
4. Return Loss: 20dB Min. @1-30MHz  
15dB Min. @ 30-60MHz  
10dB Min. @ 60-80MHz
5. Cross Talk: 1-100MHz 30dB Min.
6. Common Mode Rejection: 30dB Min. @1-100MHz
7. Isolation Voltage @60Hz:1500Vrms (Input To Output) 60 Seconds
8. VOLTAGE RATING: 57VDC.
9. CURRENT RATING: 720mADC.

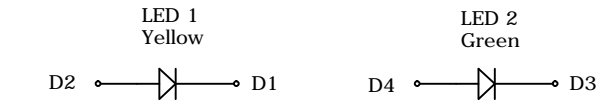
Mechanical:

1. Operating Life : 750 Cycles Min.

Environmental:

1. Storage: -40°C TO +85°C.
2. Operation: -40°C TO +85°C.
3. Soldering Temperature:255~265°C (5~10 Seconds)

Mates With Modular Plug Conforming To TIA-1096-A



3	SHELL	Brass 0.2t, Nickel plating			
2	CONTACT	Phosphor Bronze 0.35t, 5u" Gold plating over Nickel			
1	HOUSING	Thermoplastic, UL94V-0			
UNLESS OTHERWISE SPECIFIED TOLERANCE					
UNIT:	mm	DECIMAL	LINEAR	ANGLES	
		X.	±0.50	±5°	
		X.X	±0.25	±3°	
		X.XX	±0.15	±1°	
WWW.ATTEND.COM.TW					
DRAWN	Fros	2016/03/18	DRAWN NAME: 1X1 Port RJ45 Transformer Jack Giga PoE R/A Type with LED, 5u"		
CHECKED	Amy	2016/03/18	PRODUCT NO. 214B-11CAA		
APPROVED	Ken	2016/03/18	FILE NAME 214B-11CAA_B_3		
SCALE	1.6/1	SHEET	1/1	SIZE	A4

