

REV.	DESCRIPTION	DRAWN	DATE
1	INITIAL RELEASE	FROS	2015/12/07
2	210D-11C1B REVISION TO 210D-11CB1	FROS	2016/11/01
3	ECR1900016	FROS	2019/09/04

SPECIFICATION:

1. ELECTRICAL

- 1.1 Current Rating: 1.5A
- 1.2 Voltage Rating: 125VAC
- 1.3 Contact Resistance: 35mΩ
- 1.4 Insulation Resistance: 1,000MΩ
- 1.5 Dielectric Withstanding Voltage: 1,000VAC

2. MECHANICAL

- 2.1 Durability: 750 Cycle
- 2.2 PCB Retention Pre-Solder: 1LB min.
- 2.3 PCB Retention Post-Solder: 10LBS min.

3. ENVIRONMENTAL

- 3.1 Operating temperature range: -40°C~+85°C
- 3.2 Storage temperature range: -40°C~+85°C

Mates with modular plug conforming to FCC part 68, subpart F.

210D - 11 C B 1
 Cat 6 RJ45 Module Jack
 Front Entry, Metal Shield w/o EMI Tab
 5u" Gold Plating
 1x1 Port

3	SHELL	Brass C2680 0.2t, 30u"~50u" Nickel plating
2.2	CONTACT	Phosphor Bronze C5210 0.35t, 5u" Gold plating over 50u" Nickel
2.1	INSULATOR	Zytel HTNFR52, UL94V-0, Black
2	INSERT	Assembly
1	HOUSING	Zytel HTNFR52, UL94V-0, Black
NO.	PART NAME	DESCRIPTION

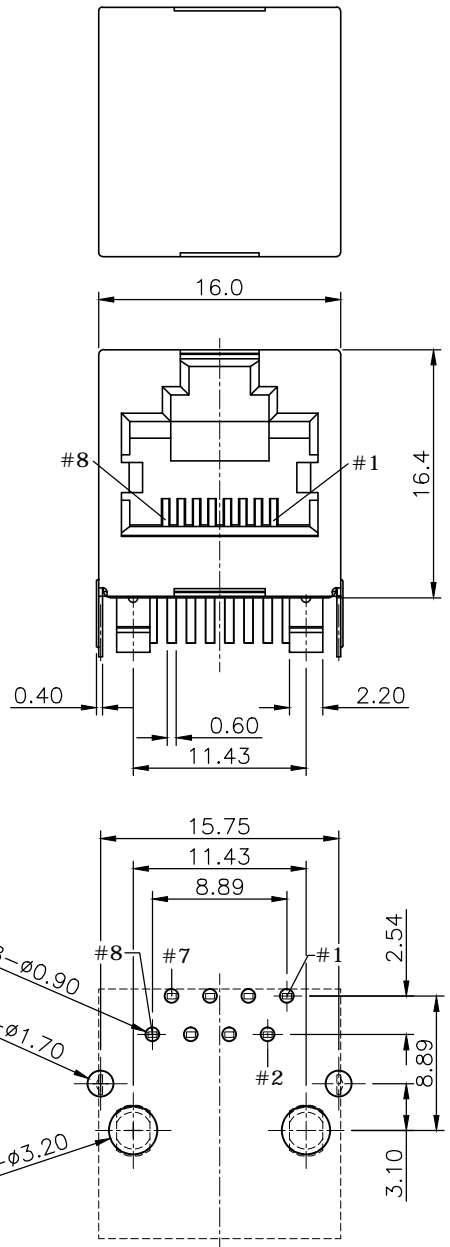
UNLESS OTHERWISE SPECIFIED TOLERANCE

UNIT:	DECIMAL	LINEAR	ANGLES
mm	X.	±0.50	±5°
	X.X	±0.25	±3°
	X.XX	±0.12	±1°

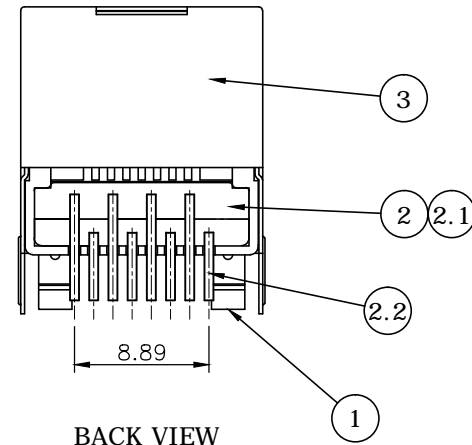
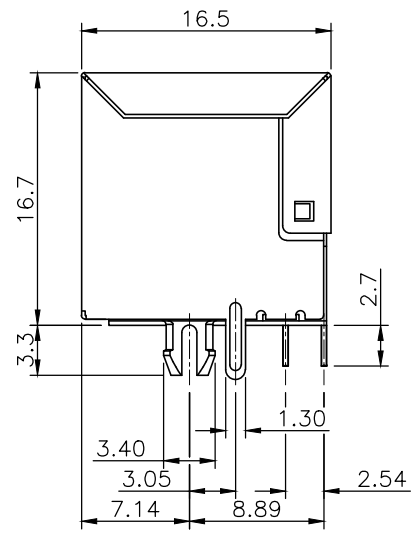


WWW.ATTEND.COM.TW

DRAWN	Fros	2015/12/07	DRAWN NAME:	RJ45 CAT.6 Side Entry Jack, Metal Shield w/o EMI Tab, STP, 5u" Gold	
CHECKED	Amy	2015/12/07	PRODUCT NO.	210D-11CB1	
APPROVED	Ken	2015/12/07	FILE NAME	210D-11CB1_B_3	
SCALE	2.0	SHEET	1/2	SIZE	A4

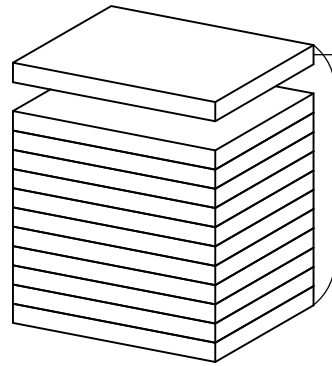


RECOMMENDED LAYOUT (TOP VIEW)
GENERAL TOLERANCE: ±0.1



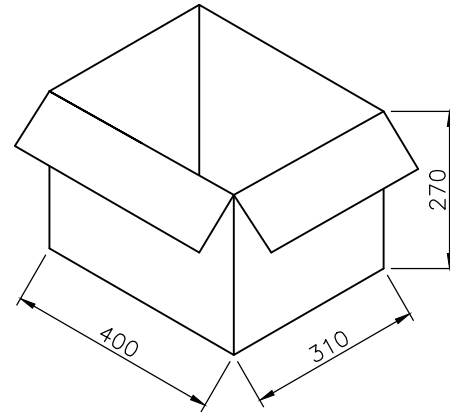
BACK VIEW

REV.	DESCRIPTION	DRAWN	DATE
	SEE SHEET ONE		

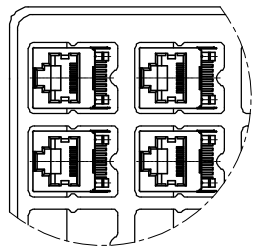


Tray with Cover = 1 Layer
= 8x10pcs = 80pcs

12 Layer = 1 Column
= 80pcsx12Layer = 960pcs

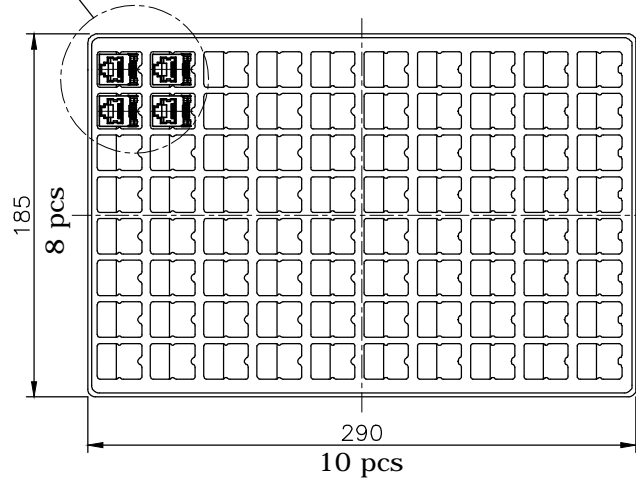



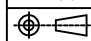
1 Carton = 2 Column
= 960pcsx2 = 1920pcs



Detail A

See A



UNLESS OTHERWISE SPECIFIED TOLERANCE					
UNIT:	DECIMAL	LINEAR	ANGLES		
mm	X.	±0.50	±5°	DRAWN NAME: RJ45 CAT.6 Side Entry Jack, Metal Shield w/o EMI Tab, STP, 5u" Gold	
	X.X	±0.25	±3°		
	X.XX	±0.12	±1°		
DRAWN	Fros	2015/12/07	PRODUCT NO. 210D-11CB1		
CHECKED	Amy	2015/12/07	FILE NAME 210D-11CB1_B_3		
APPROVED	Ken	2015/12/07			
 SCALE 1/4		SHEET 2/2	SIZE A4		