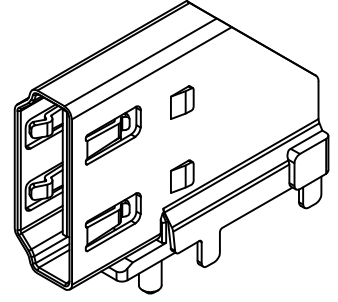
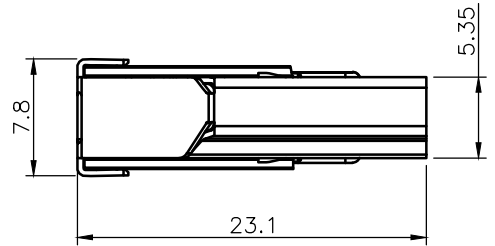
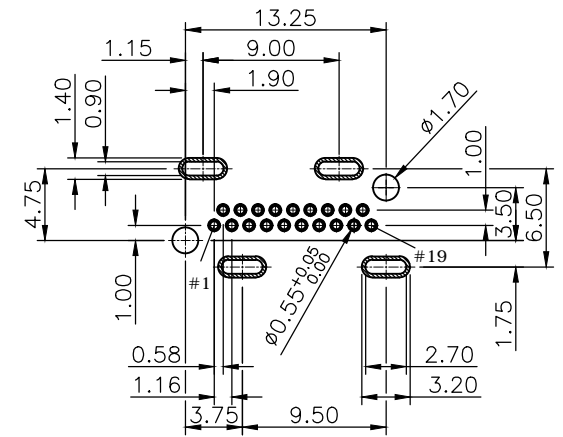
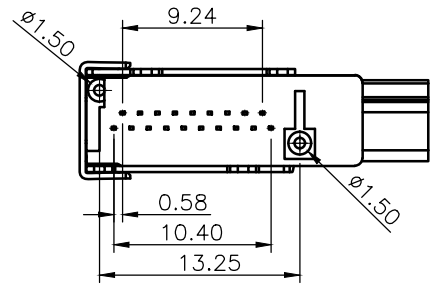
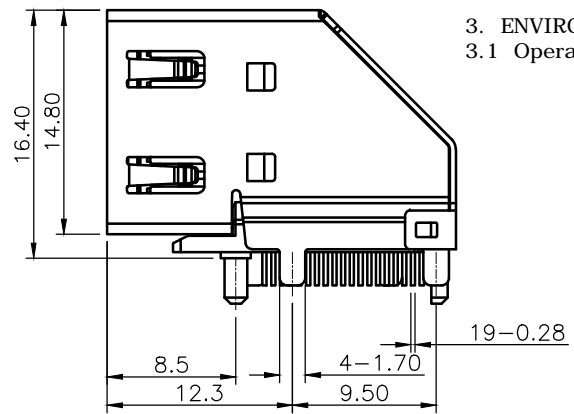
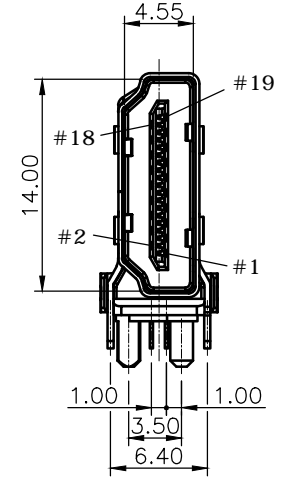
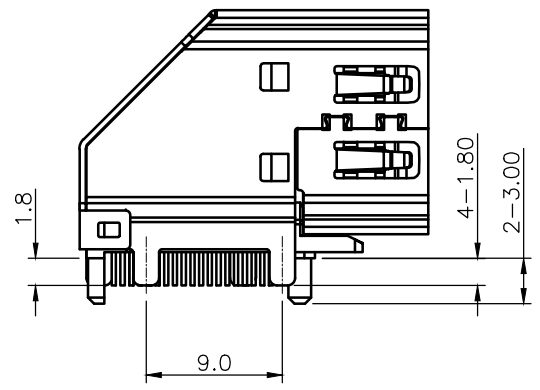


REV.	DESCRIPTION	DRAWN	DATE
1	INITIAL RELEASE	TIM	2021/08/25
1.1	ECR251013001	TIM	2025/10/13



**SPECIFICATION:**

1. ELECTRICAL
  - 1.1 Current Rating: 0.5A per pin
  - 1.2 Contact Resistance: 30mΩ
  - 1.3 Insulation Resistance: 100MΩ
  - 1.4 Dielectric Withstanding Voltage: 500VAC
2. MECHANICAL
  - 2.1 Durability: 10,000 Cycle
  - 2.2 Insertion Force: 4.5kgf max.
  - 2.3 Extraction Force: 1.0~4.0kgf
3. ENVIRONMENTAL
  - 3.1 Operating temperature range: -25°C~+85°C



RECOMMENDED LAYOUT ( TOP VIEW )  
GENERAL TOLERANCE: ±0.05mm

3	SHELL	Brass, Nickel Plated					
2	CONTACT	Brass, Gold plating over Nickel Tin plating on solder tail					
1	HOUSING	LCP UL94V-0 Black					
NO. PART NAME		DESCRIPTION					
UNLESS OTHERWISE SPECIFIED TOLERANCE							
UNIT:	DECIMAL	LINEAR	ANGLES				
mm	X.	±0.50	±5°				
	X.X	±0.25	±3°				
	X.XX	±0.12	±1°				
WWW.ATTEND.COM.TW							
DRAWN	Tim	2021/08/25	DRAWN NAME:				
CHECKED	Fros	2021/08/25	HDMI Connector, Flank DIP Type w/o Flange, G/F, Tray				
APPROVED	Ken	2021/08/25	PRODUCT NO. 206A-DA01				
SCALE	2/1	SHEET	1/2	SIZE	A4	FILE NAME	206A-DA01_B_1.1

