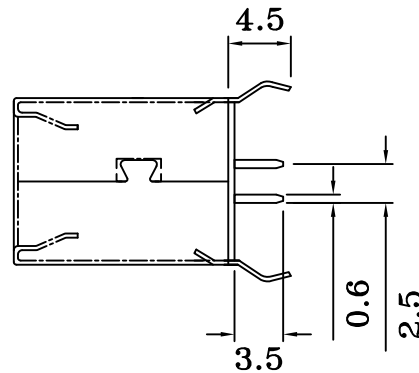


**(COMPONENT SIDE)
PCB LAYOUT**



205E-D A N 0-R
1 2 3 4

1.Type
D:T/H type

2.Contact Plating
A:Gold Flash

3.Shell Plating
N: Nickel plated

4.RoSH

NO.	NAME	MATERIAL	FINISH	REMARK	Q'TY
1	HOUSING	P.B.T. G.F.	WHITE		1
2	PIN TERM.	PHOS. BRONZE T:0.25	GOLD/TIN PLATED	Gold:1~3 μ " ; NI:40~60 μ " ; TIN:120 μ " (100% pure Tin of lead free plating)	4
3	SHELL	BRASS T:0.3	NICKEL PLATED	NI:80~120 μ "	1
4	BOTTOM COVER	P.B.T. G.F.	WHITE		1

UNLESS OTHERWISE SPECIFIED TOLERANCE		
ANGLES	ANG.	±5°
LINEAR	0.	±0.3
	0.0	±0.25
	0.00	±0.20
SCALE	AS SHOWN	UNIT: mm
DRAWN	Willis	2012/08/03
CHECKED	Angel	2012/08/03
APPROVED	Ken	2012/08/03



www.attend.com.tw

DRAWN NAME:
USB B Receptacle Straight 180° Dip Type

PRODUCT NO. 205E-DAN0-R

FILE NAME 205E-DAN0-R_B_1

REV.	DESCRIPTION	DATE	REV.	DESCRIPTION	DATE
1			4		
2			5		
3			6		
4			7		



SIZE A4 REV. 1.0