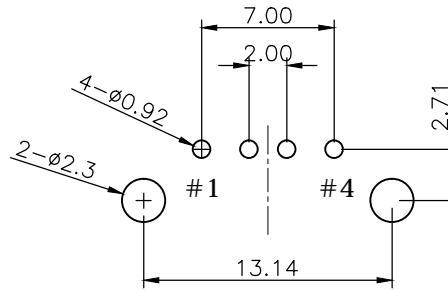
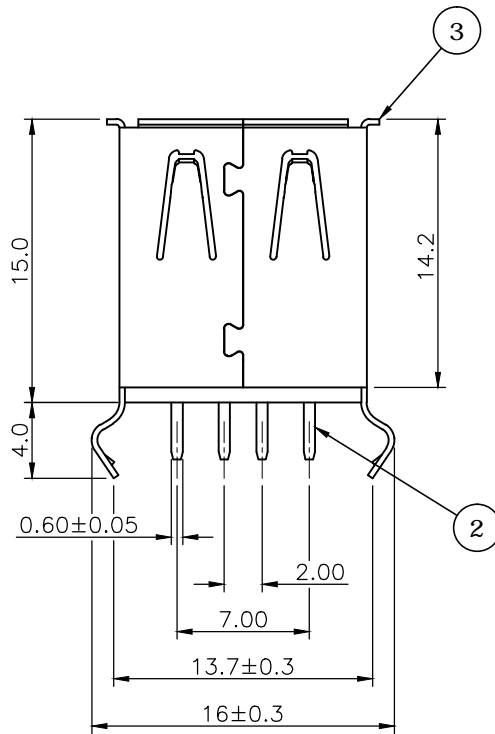
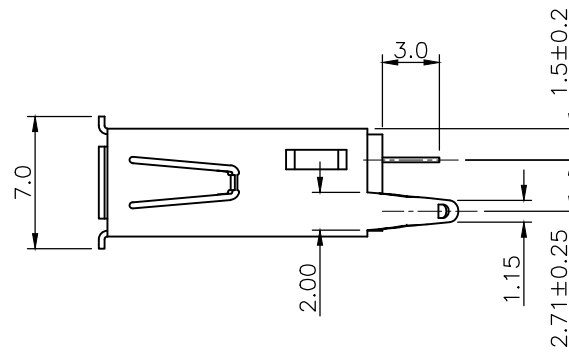
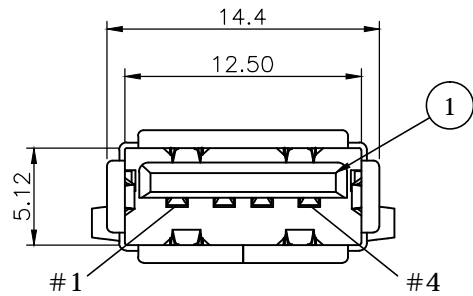


REV.	DESCRIPTION	DRAWN	DATE
1	INITIAL RELEASE	TIM	2025/05/28



Recommended layout (top view)
general tolerance: ±0.05mm

SPECIFICATION:

1. ELECTRICAL

- 1.1 Current Rating: 1.5A per pin
- 1.2 Voltage Rating: 250V AC
- 1.3 Contact Resistance: 30mΩ
- 1.4 Insulation Resistance: 1000MΩ
- 1.5 Dielectric Withstanding Voltage: 500VAC

2. MECHANICAL

- 2.1 Durability: 1500 Cycle
- 2.2 Insertion Force: 35N max.
- 2.3 Extraction Force: 10N min.

3. ENVIRONMENTAL

- 3.1 Operating temperature range: -40°C~+85°C
- 3.2 Storage temperature range: -40°C~+85°C

4. SOLDER ABILITY

- 4.1 Recommended Wave Soldering Temperature: 245°C

3	SHELL	Brass 0.3t, Nickel plating	
2	CONTACT	Brass, 0.25t, G/F Gold plating on contact area Tin plating on solder tail, under plated Nickel	
1	HOUSING	PBT, UL94V-0, White	
NO.	PART NAME	DESCRIPTION	
UNLESS OTHERWISE SPECIFIED TOLERANCE			
UNIT:	DECIMAL	LINEAR	ANGLES
mm	X.	±0.50	±5°
	X.X	±0.25	±3°
	X.XX	±0.15	±1°
DRAWN		Tim	2025/05/28
CHECKED		Fros	2025/05/28
APPROVED		Ken	2025/05/28
SCALE		2.5/1	SIZE A4
SHEET		1/1	FILE NAME
DRAWN NAME:		USB A Female Receptacle Straight DIP Type, G/F, White	
PRODUCT NO.		205C-DA04	
FILE NAME		205C-DA04_B_1	



www.attend.com.tw