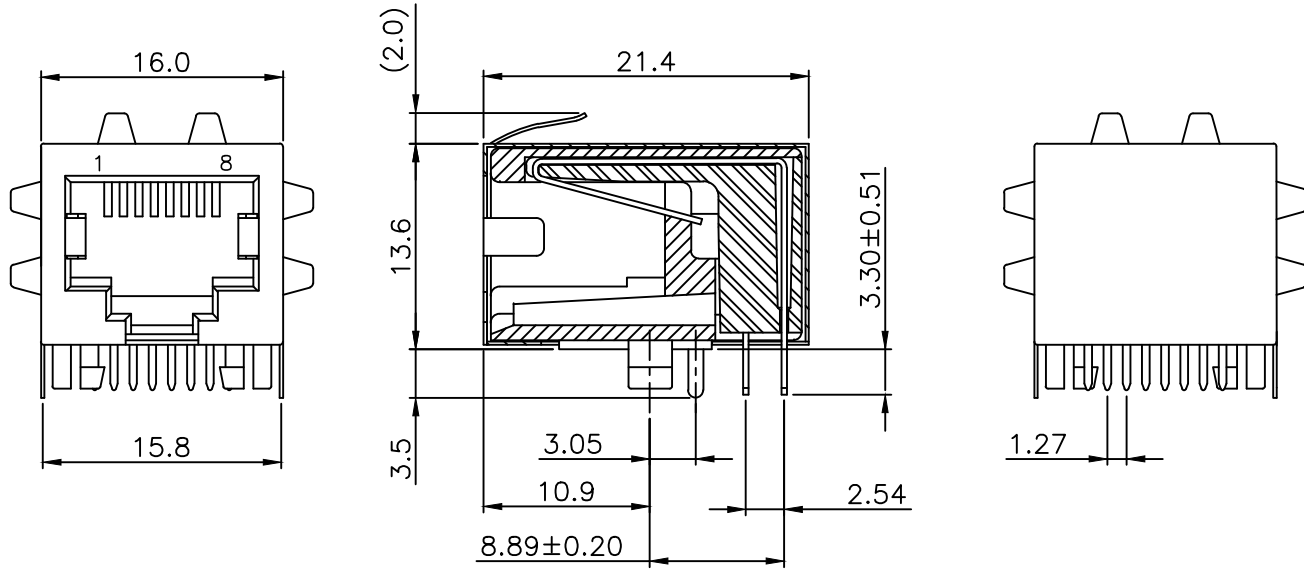


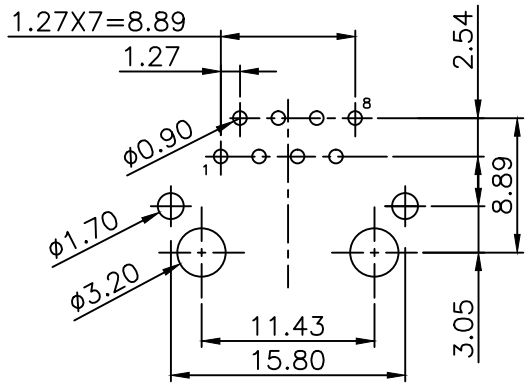
REV.	DESCRIPTION	DRAWN	DATE
1	INITIAL RELEASE	Willis	2012/11/21
2	ECR260520001	Fros	2026/05/20



SPECIFICATION:

1. ELECTRICAL
 - 1.1 Current Rating: 1.5A per pin
 - 1.2 Voltage Rating: 125V AC RMS
 - 1.3 Contact Resistance: 45mΩ
 - 1.4 Insulation Resistance: 1000MΩ
 - 1.5 Dielectric Withstanding Voltage: 1000VAC
2. MECHANICAL
 - 2.1 Durability: 750 Cycle
 - 2.2 PCB retention pre-solder: 1 LB min.
 - 2.3 PCB retention post-solder: 10 LB min.
3. ENVIRONMENTAL
 - 3.1 Operating temperature range: -40°C~+85°C
 - 3.2 Storage temperature range: -40°C~+85°C
4. SOLDER ABILITY
 - 4.1 Recommended Wave Soldering Temperature: 255~265°C, 5~10 seconds

Mates with modular plug conforming to FCC PART 68. subpart F



PCB Layout Component Side Shown

PRODUCT NUMBER:
210A-11 C 0 A-R
1 2 3

- 1.No. of Contact
11:1X1 Port
- 2.Contact Plating
C:5u" Gold Plating
- 3.EMI Tab
A:With EMI Tab

3	SHELL	Brass, Nickel plating		
2	CONTACT	Phosphor Bronze 0.35T, Gold plating over Nickel		
1	HOUSING	HIGH TEMP. UL94-V0		
NO.	PART NAME	DESCRIPTION		
UNLESS OTHERWISE SPECIFIED TOLERANCE				
UNIT:	DECIMAL	LINEAR	ANGLES	
	X.	±0.50	±5°	
	X.X	±0.25	±3°	
	X.XX	±0.15	±1°	
www.attend.com.tw				
DRAWN	Willis	2012/11/21	DRAWN NAME: RJ45 Jack Shielded Type	
CHECKED	Angel	2012/11/21		
APPROVED	Ken	2012/11/21	PRODUCT NO.	210A-11COA-R
	SCALE	SHEET	SIZE	FILE NAME
	2/1	1/1	A4	210A-11COA-R_B_2

