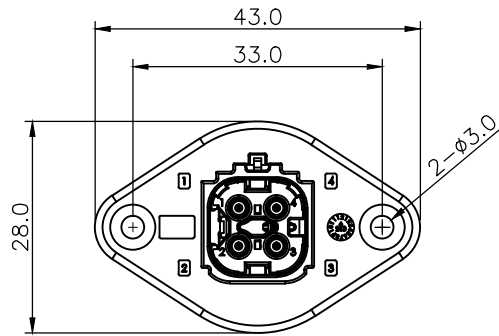
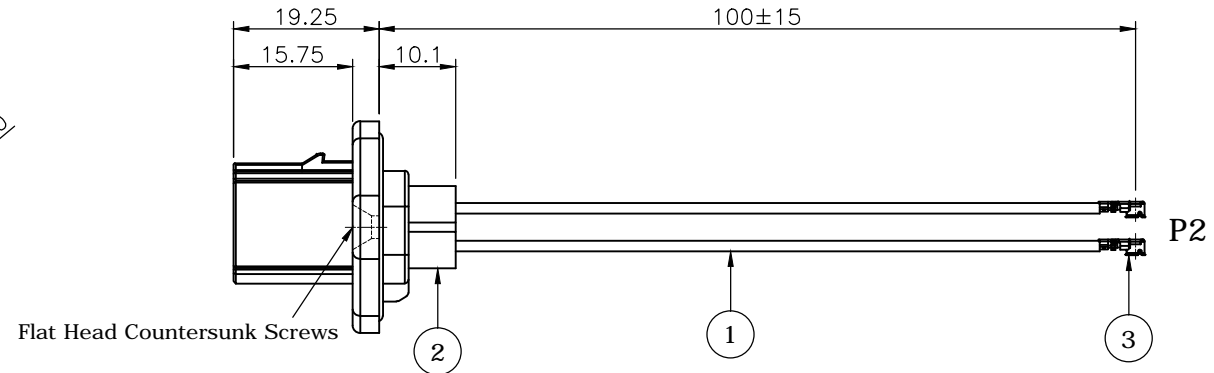


REV.	DESCRIPTION	DRAWN	DATE
1	Initial release	TIM	2026/02/10



P1



SPECIFICATION

MECHANICAL:

1. INSERTION FORCE: $\leq 30N$ (FAKRA)
2. WITHDRAWAL FORCE: $\geq 5N$ (FAKRA)/ $\geq 3N$ (IPEX)
3. MATING CYCLES: 10(FAKRA)/ 30(IPEX)
4. WATERPROOF RATE: IP67(FAKRA, in mated condition)

ELECTRICAL CHARACTERISTIC:

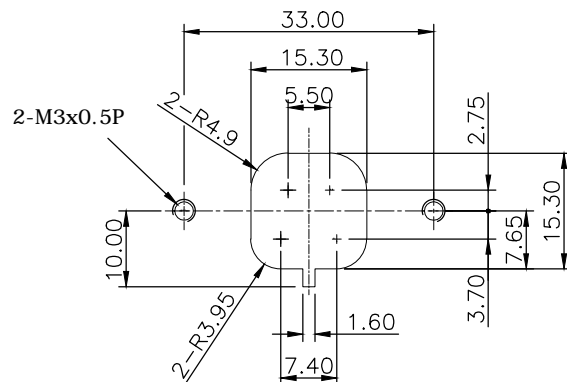
1. CHARACTERISTIC IMPEDANCE: 50Ω
2. FINISHED CABLE 100% CONDUCTIVITY TEST
3. INSULATION RESISTANCE: $\geq 100 M\Omega$

ENVIRONMENT CHARACTERISTIC:


1. OPERATING TEMPERATURE RANGE: $-40^{\circ}C$ TO $+90^{\circ}C$

NOTE:

ALL MATERIALS MUST BE USCAR-2 & USCAR-49 COMPLIANT



RECOMMEND PANEL CUT OUT

3	4PCS	CONN., I-PEX MHF 20351, Gold plated
2	1PC	CONN., MINI FAKRA B 2x2 Plug, Gold plated 1u"
1	4PCS	CABLE, Micro Coaxial 30AWG, OD1.37, Grey
NO.	Q'ty	DESCRIPTION
UNLESS OTHERWISE SPECIFIED TOLERANCE		
UNIT:	1-10 ±1	> 401 ±10
	11-30 ±2	ANGLE ±5°
mm	31-50 ±3	
	51-200 ±5	
		
		www.attend.com.tw
DRAWN	Tim	2026/02/10
CHECKED	Fros	2026/02/10
APPROVED	Allen	2026/02/10
SCALE 1/1		SHEET 1/2
SIZE A4		
DRAWN NAME:		Mini FAKRA, Type B Plug(2x2) Panel Mount to I-PEX Cable, IP67, L= 10 CM, Z Code
CUSTOMER NO.		
PRODUCT NO.		FR-1P4P-010Z01W