

REV.	DESCRIPTION	DRAWN	DATE
3	REVISED BY ECR1900008	FROS	2019/05/22
4	REVISED BY ECR2000007	FROS	2020/06/01
5	ECR2500010	FROS	2025/11/25

△ SPECIFICATION:

1. ELECTRICAL

- 1.1 Current Rating: 5A MAX.
- 1.2 Voltage Rating: 20V AC/DC
- 1.3 Contact Resistance: 40mΩ
- 1.4 Insulation Resistance: 100MΩ
- 1.5 Dielectric Withstanding Voltage: 100VAC

2. MECHANICAL

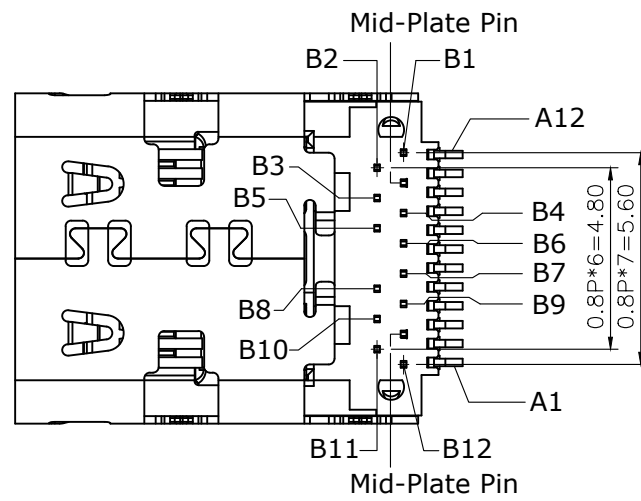
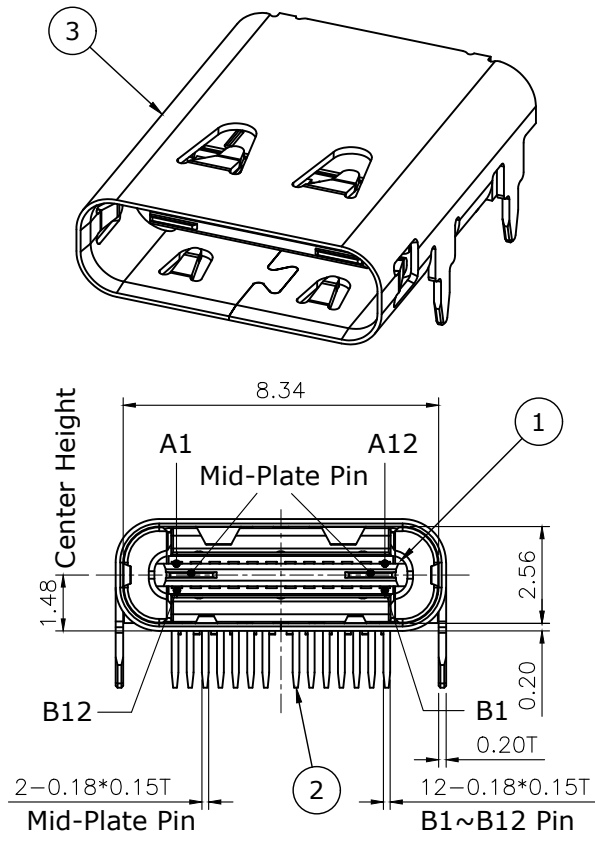
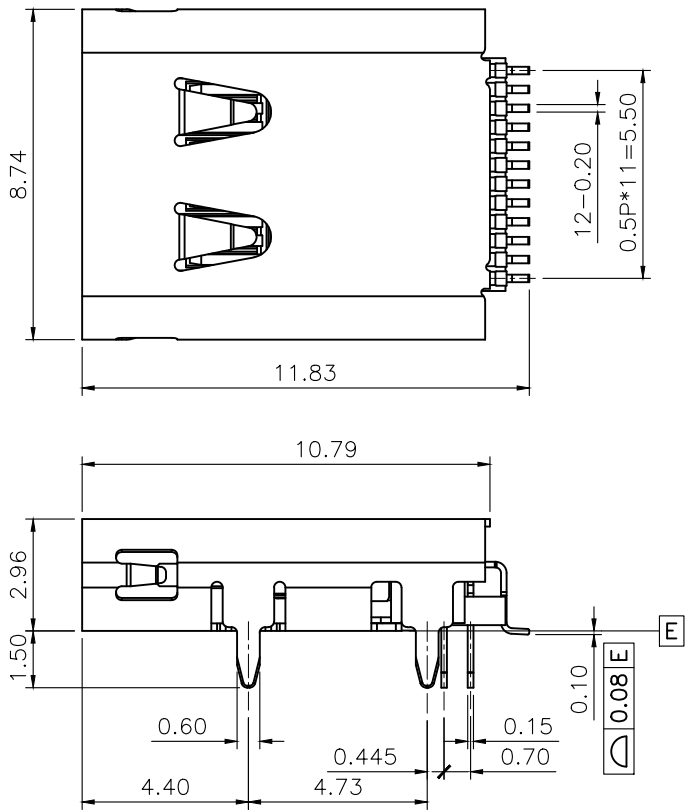
- 2.1 Durability: 10,000 Cycle
- 2.2 Insertion Force: 5N to 20N
- 2.3 Extraction Force: 8N to 20N

3. ENVIRONMENTAL

- 3.1 Operating temperature range: -40°C~+105°C

4. SOLDER ABILITY

- 4.1 Recommended IR Reflow(Wave Soldering) Temperature: 260°C



3	SHELL	STAINLESS STEEL, 50 TO 100u" NICKEL PLATING
2	CONTACT	COPPER ALLOY, CONTACT AREA: 30u" Pd-Ni + 2u" Au,
		SOLDER TAILS: 100u" TO 200u" TIN PLATING
		UNDER-PLATING: 40u" TO 80u" NICKEL
1	INSULATOR	HIGH TEMPERATURE THERMOPLASTIC
NO.	PART NAME	DESCRIPTION

UNLESS OTHERWISE SPECIFIED TOLERANCE

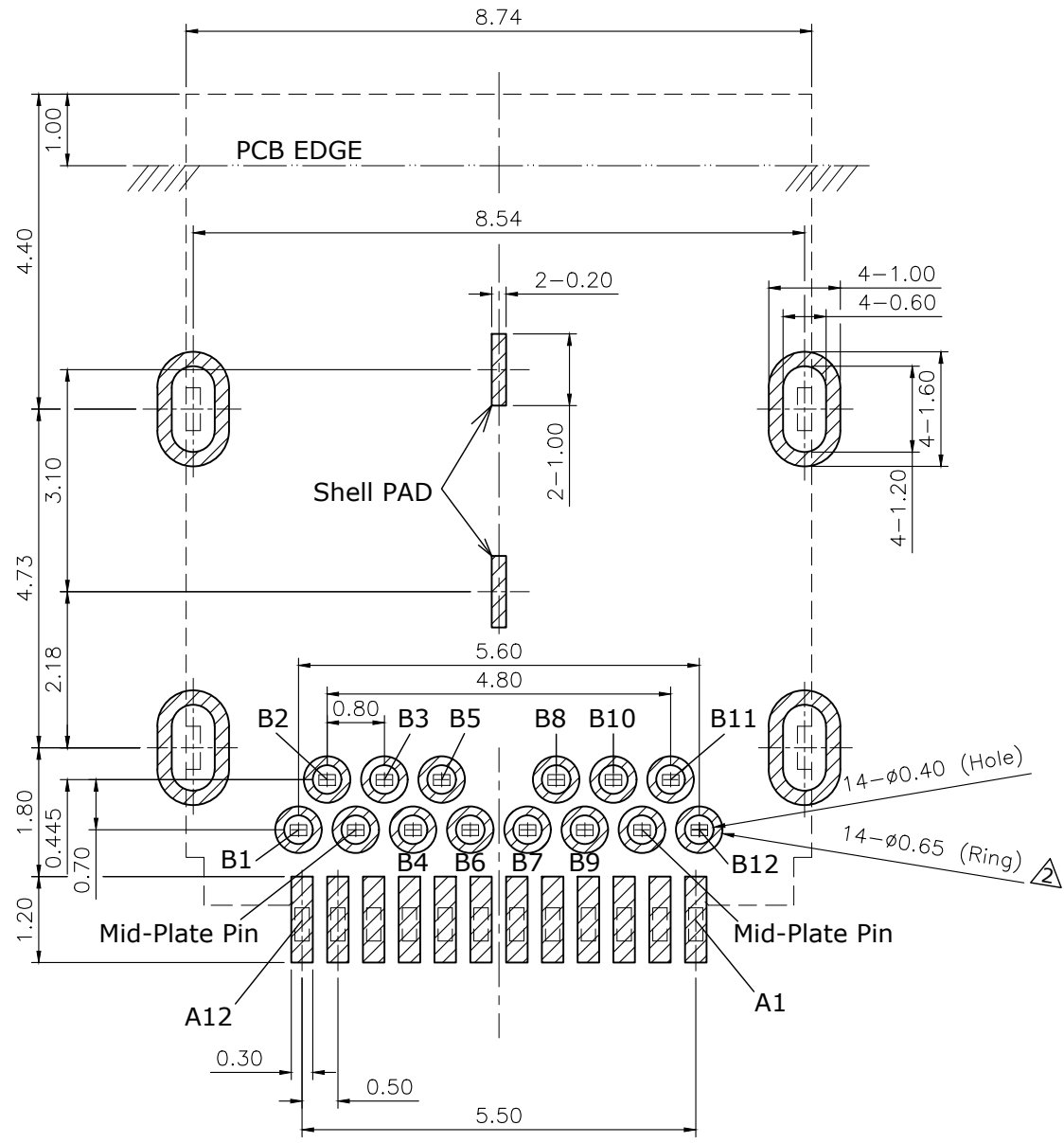
UNIT:	DECIMAL	LINEAR	ANGLES
mm	X.	±0.50	±5°
	X.X	±0.25	±3°
	X.XX	±0.12	±1°



WWW.ATTEND.COM.TW

DRAWN	Fros	2015/04/23	DRAWN NAME:		
CHECKED	Zola	2015/04/23	USB Type C Hybrid Receptacle, R/A, 2 u" Au(30u" Pb-Ni)		
APPROVED	Albert	2015/04/23	PRODUCT NO.	217B-AG01	
SCALE	5/1	SHEET	1/3	SIZE	A4
			FILE NAME	217B-AG01_B_5	

REV.	DESCRIPTION	DRAWN	DATE
	SEE SHEET ONE		



- PAD
- USB Connector
- PCB Boundary

PIN ASSIGNMENTS:

PIN NUMBER	SIGNAL NAME	PIN NUMBER	SIGNAL NAME
A1	GND	B12	GND
A2	SSTXp1	B11	SSRXp1
A3	SSTXn1	B10	SSRXn1
A4	VBUS	B9	VBUS
A5	CC1	B8	SBU2
A6	Dp1	B7	Dn2
A7	Dn1	B6	Dp2
A8	SBU1	B5	CC2
A9	VBUS	B4	VBUS
A10	SSRXn2	B3	SSTXn2
A11	SSRXp2	B2	SSTXp2
A12	GND	B1	GND

UNLESS OTHERWISE SPECIFIED TOLERANCE

UNIT:	DECIMAL	LINEAR	ANGLES
mm	X.	±0.50	±5°
	X.X	±0.25	±3°
	X.XX	±0.12	±1°

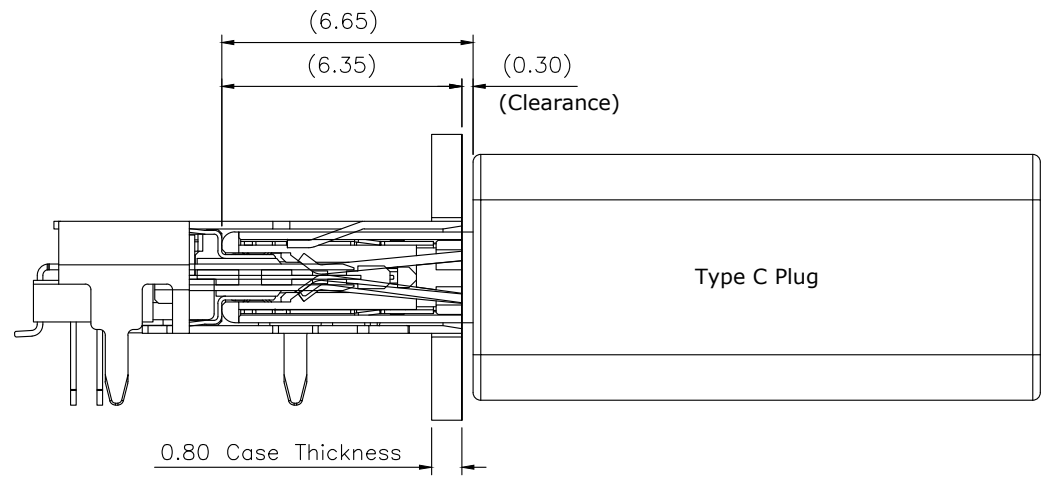


WWW.ATTEND.COM.TW


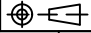
DRAWN	Fros	2015/04/23	DRAWN NAME:	USB Type C Hybrid Receptacle, R/A, 2 u" Au(30u" Pb-Ni)
CHECKED	Zola	2015/04/23	PRODUCT NO.	
APPROVED	Albert	2015/04/23	FILE NAME	217B-AG01_B_5
	SCALE 10/1	SHEET 2/3	SIZE A4	

RECOMMEND LAYOUT (TOP VIEW)
GENERAL TOLERANCE: ±0.05

REV.	DESCRIPTION	DRAWN	DATE
	SEE SHEET ONE		



Plug Fully Seated in Receptacle

UNLESS OTHERWISE SPECIFIED TOLERANCE				 WWW.ATTEND.COM.TW	
UNIT:	DECIMAL	LINEAR	ANGLES		
mm	X.	±0.50	±5°		
	X.X	±0.25	±3°		
	X.XX	±0.12	±1°		
DRAWN	Fros	2015/04/23	DRAWN NAME:		
CHECKED	Zola	2015/04/23	USB Type C Hybrid Receptacle, R/A, 2 u" Au(30u" Pb-Ni)		
APPROVED	Albert	2015/04/23	PRODUCT NO.	217B-AG01	
	SCALE	SHEET	SIZE	FILE NAME	
	5/1	3/3	A4	217B-AG01_B_5	