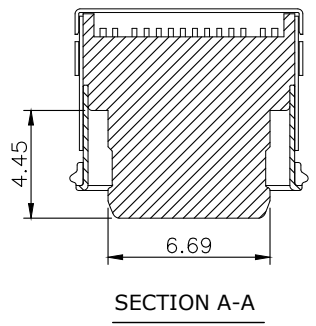
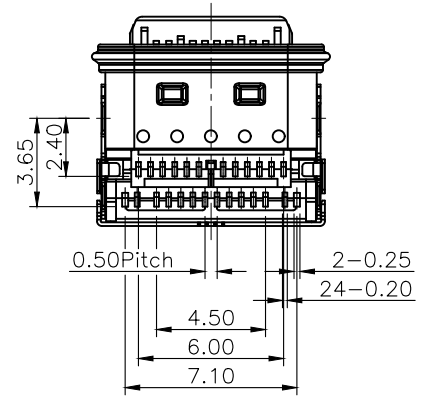
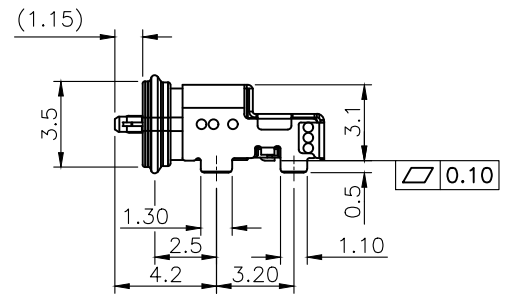
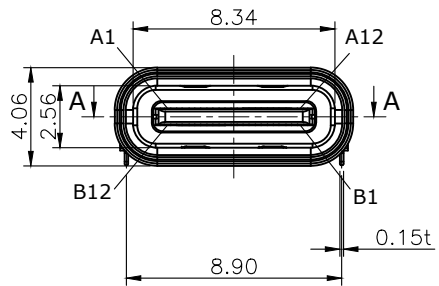
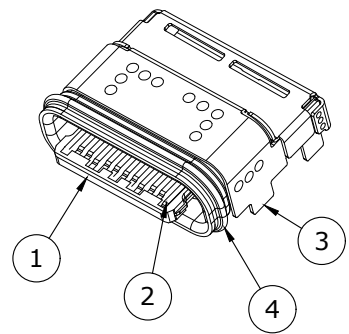
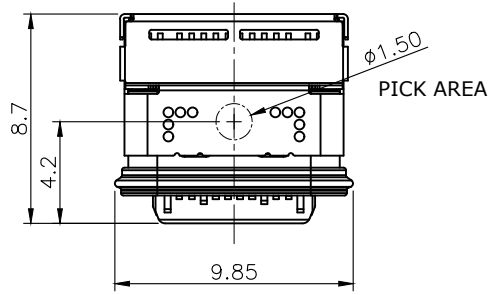


REV.	DESCRIPTION	DRAWN	DATE
1	INITIAL RELEASE	TIM	2023/03/13
2	ECR260417001	Fros	2026/04/17



SPECIFICATION:

1. ELECTRICAL
 - 1.1 Current Rating: 5A
 - 1.2 Voltage Rating: 20V AC/DC
 - 1.3 Contact Resistance: 40mΩ
 - 1.4 Insulation Resistance: 100MΩ
 - 1.5 Dielectric Withstanding Voltage: 100VAC
2. MECHANICAL
 - 2.1 Durability: 10,000 Cycle
 - 2.2 Mating Force: 5N to 20N
 - 2.3 Un-mating Force: 8N to 20N
3. ENVIRONMENTAL
 - 3.1 Operating temperature range: -40°C to +105°C
 - 3.2 Storage temperature range: -40°C to +105°C
4. SOLDER ABILITY
 - 4.1 Recommended IR Reflow Temperature: 260°C

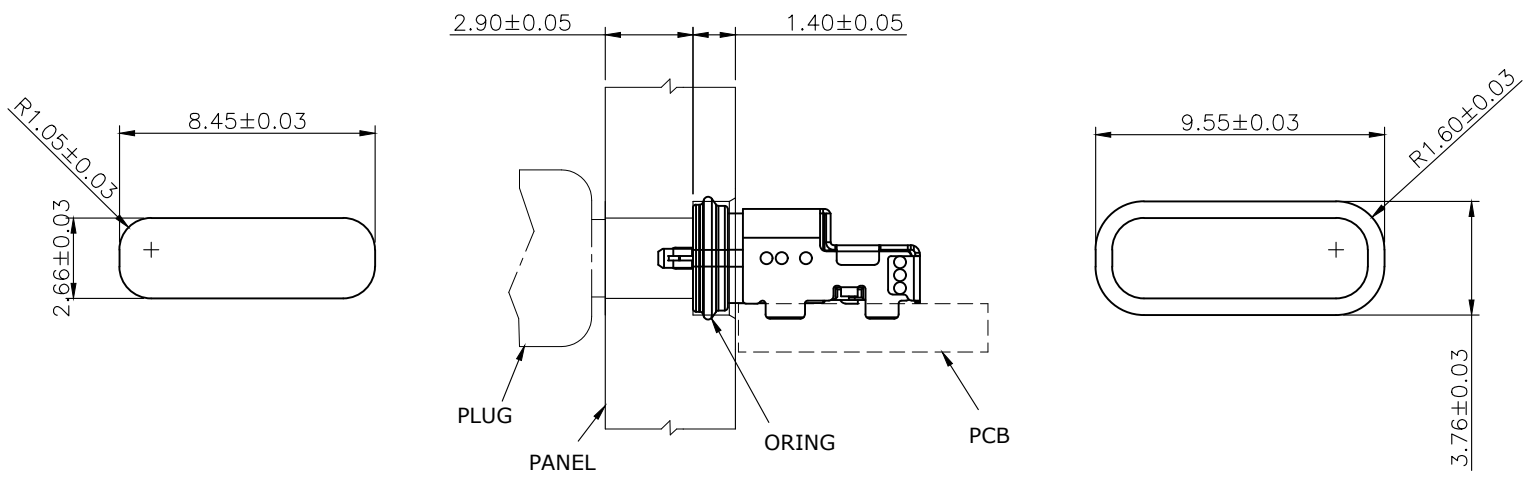
4	O-RING	Silicone
3	SHELL	Stainless steel, Nickel plating
2	CONTACT	Copper alloy, Gold plating over Nickel
1	HOUSING	PA46, UL94V-0, Black

NO.		PART NAME	DESCRIPTION
UNLESS OTHERWISE SPECIFIED TOLERANCE			
UNIT:	DECIMAL	LINEAR	ANGLES
	mm	X. ±0.50	±5°
		X.X ±0.25	±3°
		X.XX ±0.12	±1°
DRAWN		Tim	2023/03/13
CHECKED		Fros	2023/03/13
APPROVED		Ken	2023/03/13
SCALE		3.2/1	SHEET 1/2
SIZE		A4	FILE NAME
DRAWN NAME:		USB Type C Receptacle, Dual Row SMT Type, G/F, IP67 Waterproof	
PRODUCT NO.		217B-BA06	
FILE NAME		217B-BA06_B_2	

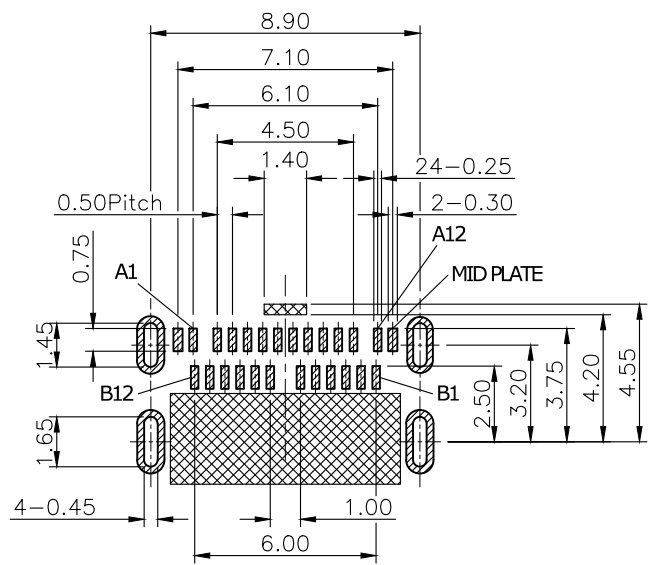


www.attend.com.tw

REV.	DESCRIPTION	DRAWN	DATE
	SEE SHEET ONE		



RECOMMENDED PANEL CUTOUT



RECOMMENDED LAYOUT (TOP VIEW)
GENERAL TOLERANCE: ±0.05mm

- Keep Out Area
- Solder Area

UNLESS OTHERWISE SPECIFIED TOLERANCE

UNIT:	DECIMAL	LINEAR	ANGLES
mm	X.	±0.50	±5°
	X.X	±0.25	±3°
	X.XX	±0.12	±1°



www.attend.com.tw

DRAWN	Tim	2023/03/13	DRAWN NAME:	
CHECKED	Fros	2023/03/13	USB Type C Receptacle, Dual Row SMT Type, G/F, IP67 Waterproof	
APPROVED	Ken	2023/03/13	PRODUCT NO.	217B-BA06
	SCALE 4/1	SHEET 2/2	SIZE A4	FILE NAME 217B-BA06_B_2