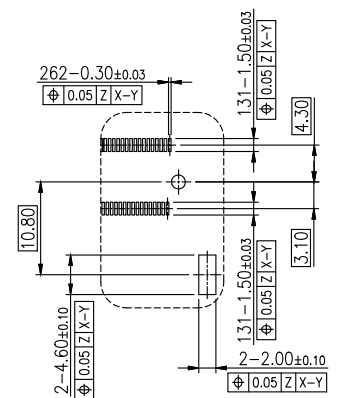
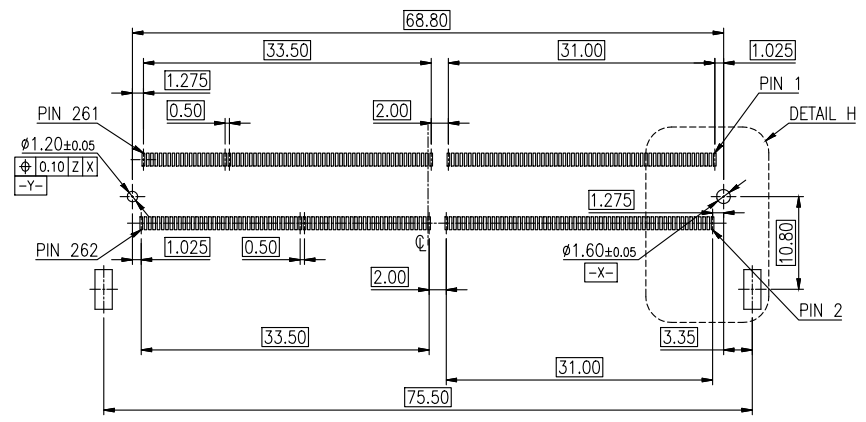
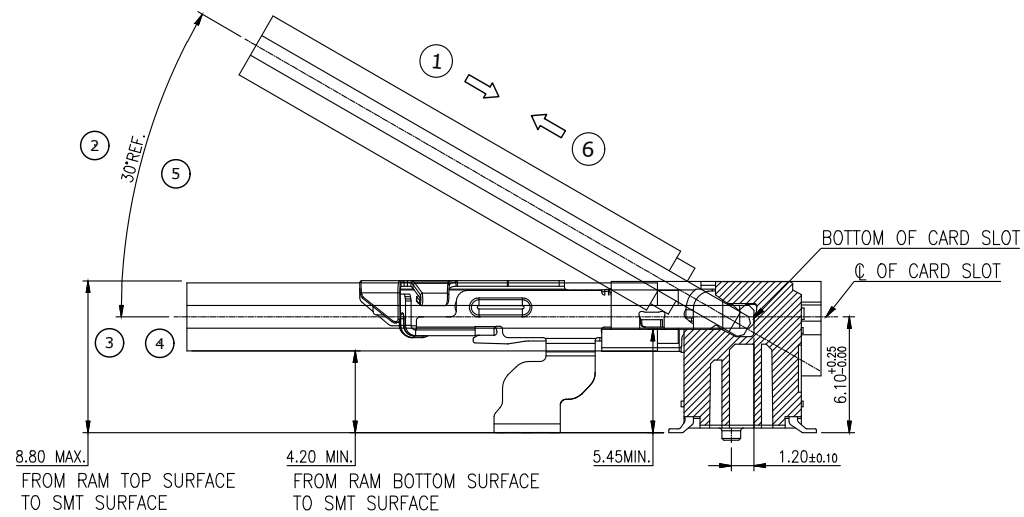


REV.	DESCRIPTION	DRAWN	DATE
	see sheet one		



RECOMMEND P.C.BOARD LAYOUT
 PCB THICKNESS 0.80mm MIN.
 PCB LAYOUT GENERIC TOLERANCE:±0.05
 ([-Z-]:PCB SURFACE)

DETAIL H
 SCALE 1:1



MATING: ① INSERTING → ② ROTATING → ③ FIXED
 UNMATING: ④ UNFIXED → ⑤ RISE UP → ⑥ EXTRACTING

MATING/UNMATING VIEW

UNLESS OTHERWISE SPECIFIED TOLERANCE

UNIT:	DECIMAL	LINEAR	ANGLES
mm	X.	±0.50	±5°
	X.X	±0.25	±3°
	X.XX	±0.12	±1°



www.attend.com.tw

DRAWN	Fros	2021/03/23
CHECKED	Tim	2021/03/23
APPROVED	Ken	2021/03/23
SCALE	1.25	SHEET 2/2
SIZE	A4	

DRAWN NAME:	DDR5 SODIMM Socket, Horizontal
	8.0H, STD, G/F, Black, Reel, Solder PEG
PRODUCT NO.	126A-80A00
FILE NAME	126A-80A00_B_1