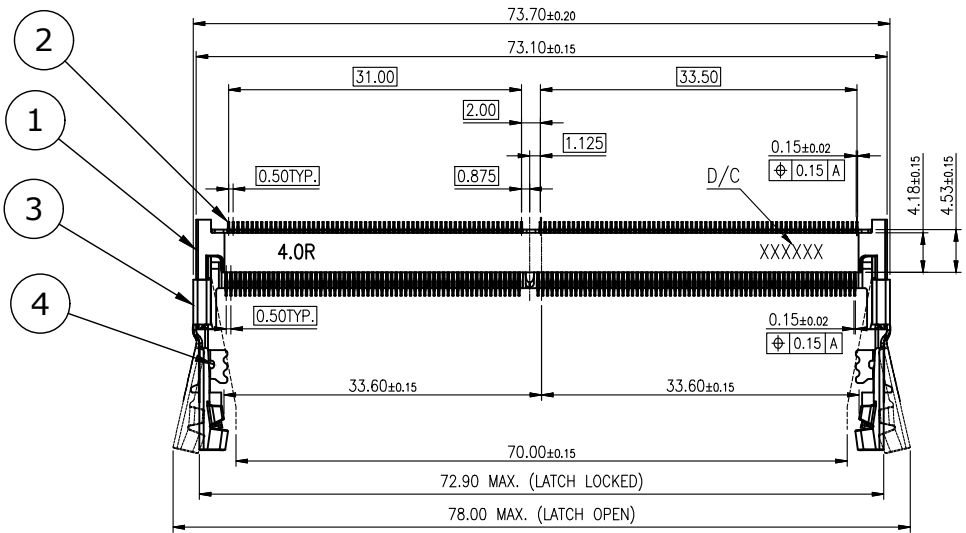


REV.	DESCRIPTION	DRAWN	DATE
1	INITIAL RELEASE	FROS	2021/03/23



DATE CODE: YYWWD  
 YY: YEAR  
 WW: WEEK(01~52)  
 D: DAY (1~7)

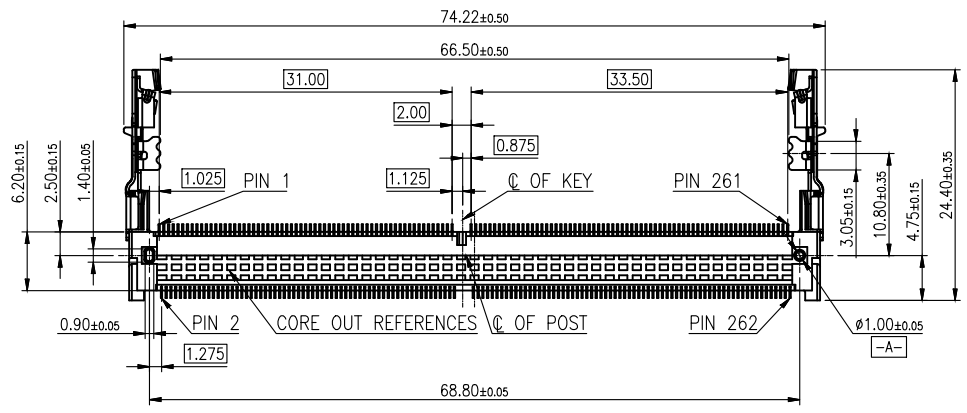
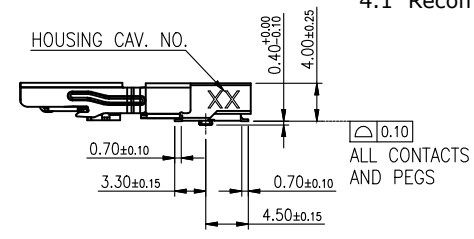
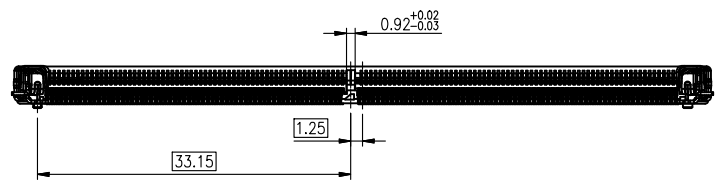
**SPECIFICATION:**

- ELECTRICAL
  - Current Rating: 0.6A per pin
  - Voltage Rating: 25V AC
  - Contact Resistance: 60mΩ max.
  - Insulation Resistance: 100MΩ
  - Dielectric Withstanding Voltage: 500VAC


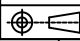
- MECHANICAL
  - Durability: 50 Cycle
  - Insertion Force: 59.8N max.
  - Extraction Force: 44.6N max.

- ENVIRONMENTAL
  - Operating temperature range: -40°C~+85°C
  - Storage temperature range: -40°C~+85°C

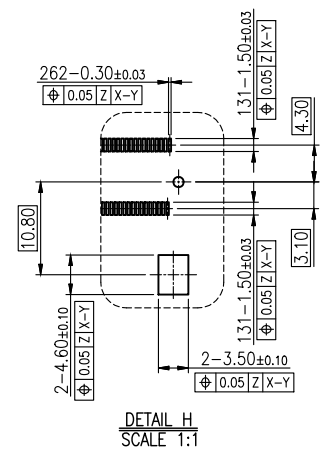
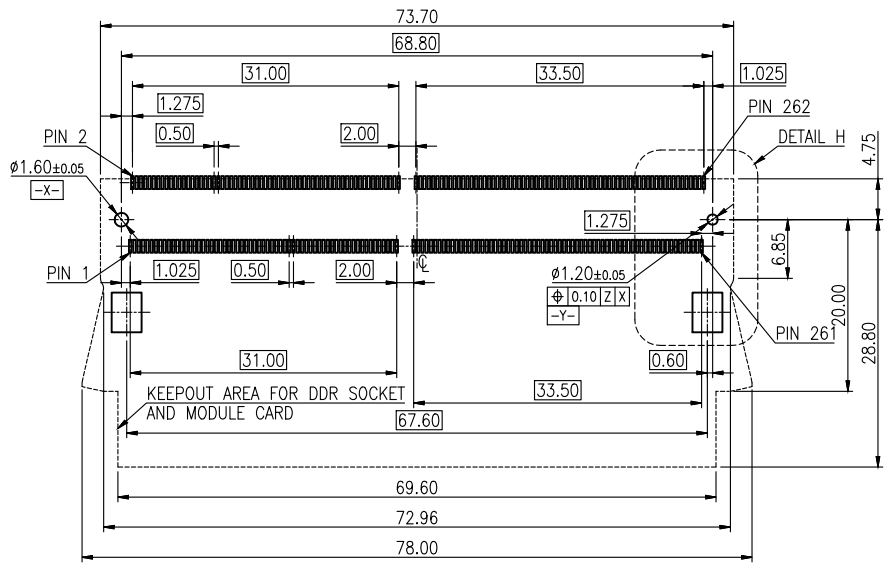
- SOLDER ABILITY
  - Recommended IR-Reflow Temperature: 260°C



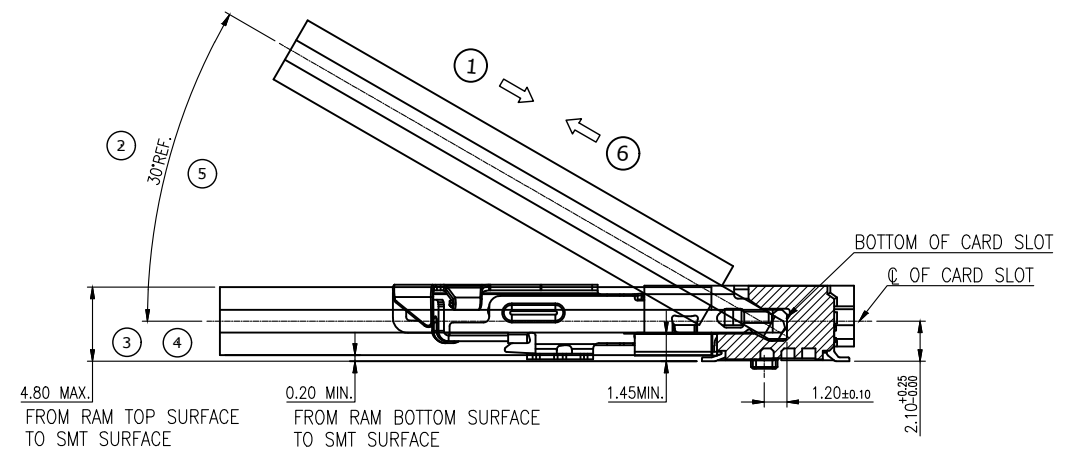
NO.	PART NAME	DESCRIPTION
4	PEG	Stainless steel, 50u"~150u" matte tin plating over 50u"~150u" nickel plating
3	LATCH	Stainless steel
2	CONTACT	Copper alloy, 1u" gold plating on contact and solder area, under plating nickel
1	HOUSING	Thermoplastic, UL94V-0, Black

UNLESS OTHERWISE SPECIFIED TOLERANCE					
UNIT:	DECIMAL	LINEAR	ANGLES		
mm	X.	±0.50	±5°	www.attend.com.tw	
	X.X	±0.25	±3°		
	X.XX	±0.12	±1°		
DRAWN	Fros	2021/03/23	DRAWN NAME: DDR5 SODIMM Socket, Horizontal		
CHECKED	Tim	2021/03/23	4.0H, RVS, G/F, Black, Reel, Solder PEG		
APPROVED	Ken	2021/03/23	PRODUCT NO.	126A-40A10	
 SCALE 1.25		SHEET 1/2	SIZE A4	FILE NAME	126A-40A10_B_1

REV.	DESCRIPTION	DRAWN	DATE
	see sheet one		



RECOMMEND P.C.BOARD LAYOUT  
 PCB THICKNESS 0.80mm MIN.  
 PCB LAYOUT GENERIC TOLERANCE:±0.05  
 ([-Z-]:PCB SURFACE)



MATING: ① INSERTING → ② ROTATING → ③ FIXED  
 UNMATING: ④ UNFIXED → ⑤ RISE UP → ⑥ EXTRACTING  
MATING/UNMATING VIEW

UNLESS OTHERWISE SPECIFIED TOLERANCE

UNIT:	DECIMAL	LINEAR	ANGLES
mm	X.	±0.50	±5°
	X.X	±0.25	±3°
	X.XX	±0.12	±1°



www.attend.com.tw

DRAWN	Fros	2021/03/23
CHECKED	Tim	2021/03/23
APPROVED	Ken	2021/03/23
SCALE	1.25	SHEET 2/2
SIZE	A4	

DRAWN NAME:	DDR5 SODIMM Socket, Horizontal
	4.0H, RVS, G/F, Black, Reel, Solder PEG
PRODUCT NO.	126A-40A10
FILE NAME	126A-40A10_B_1