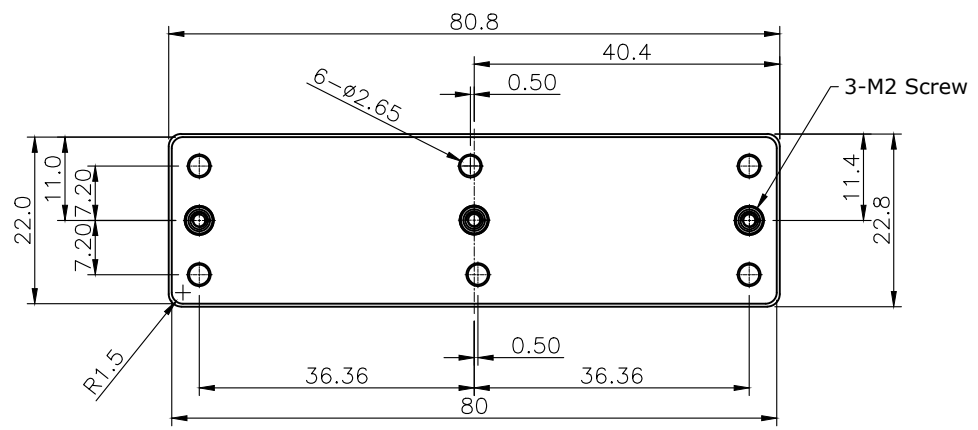
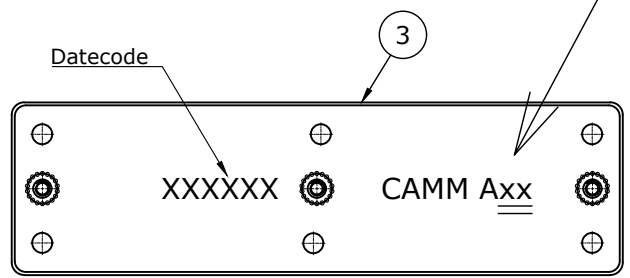
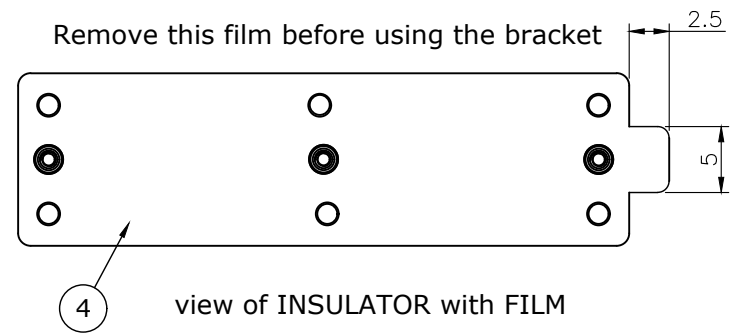
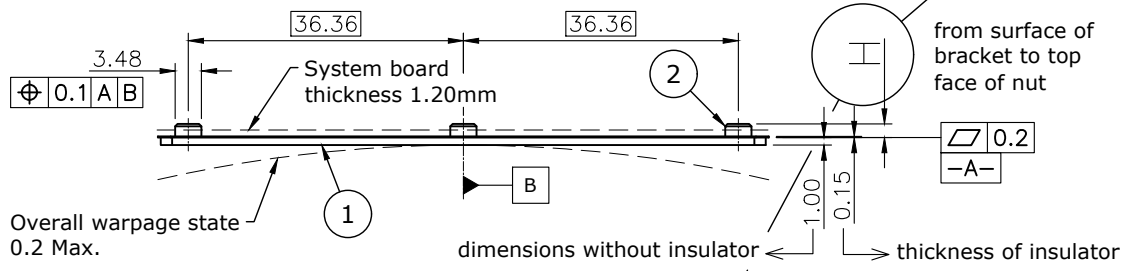



REV.	DESCRIPTION	DRAWN	DATE
1	INITIAL RELEASE	FROS	2026/02/11



Part Number	System Board Thickness	DIM. H
127A-002-01	0.80	1.60
127A-002-02	0.90	1.70
127A-002-03	1.00	1.80
127A-002-04	1.10	1.90
127A-002-05	1.20	2.00
127A-002-06	1.30	2.10
127A-002-07	1.40	2.20
127A-002-08	1.50	2.30
127A-002-09	1.60	2.40
127A-002-11	1.80	2.60
127A-002-13	2.00	2.80



4	FILM	PET, t=0.05~0.10mm
3	INSULATOR	KAPTON, T=0.15mm
2	M2 NUT	Stainless steel, 3 pcs
1	BACK PLATE	Stainless steel

NO.		PART NAME		DESCRIPTION		
UNLESS OTHERWISE SPECIFIED TOLERANCE						
UNIT:	DECIMAL	LINEAR	ANGLES	 www.attend.com.tw		
	mm	X.	±0.50			±5°
		X.X	±0.25			±3°
		X.XX	±0.12			±1°
DRAWN	Fros	2026/02/11	DRAWN NAME:			
CHECKED	Tim	2026/02/11	LPDDR5 CAMM2 Connector, Back plate			
APPROVED	Ken	2026/02/11	PRODUCT NO.	See table		
SCALE N/A		SHEET 1/1	SIZE A4	FILE NAME	127A-002-XX_B_1	