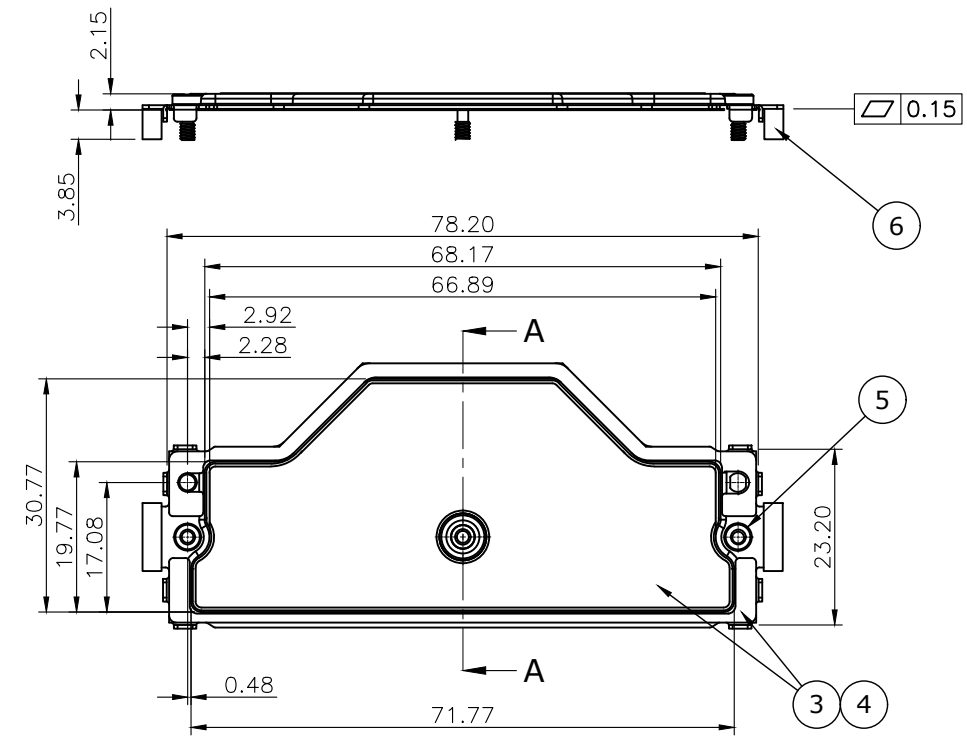
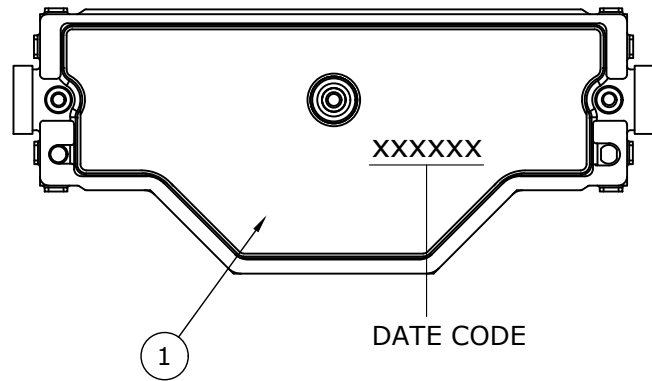
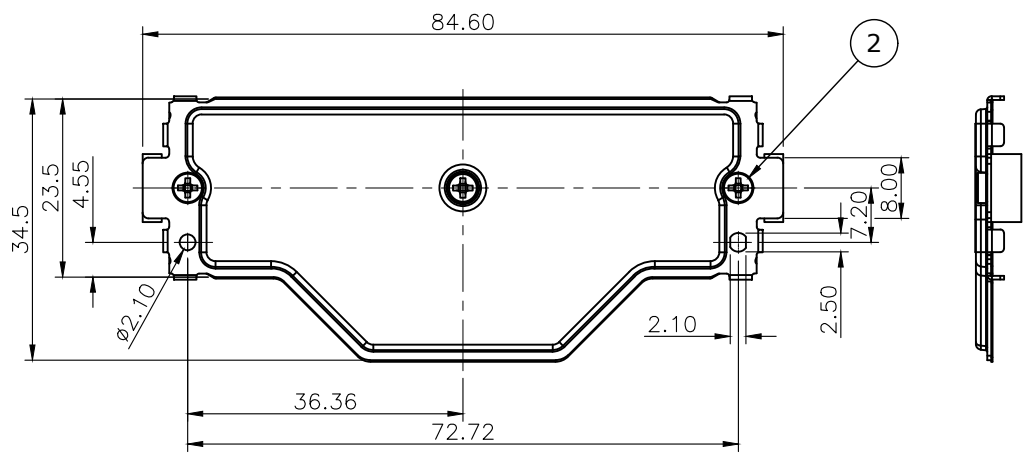



REV.	DESCRIPTION	DRAWN	DATE
1	INITIAL RELEASE	FROS	2026/02/11

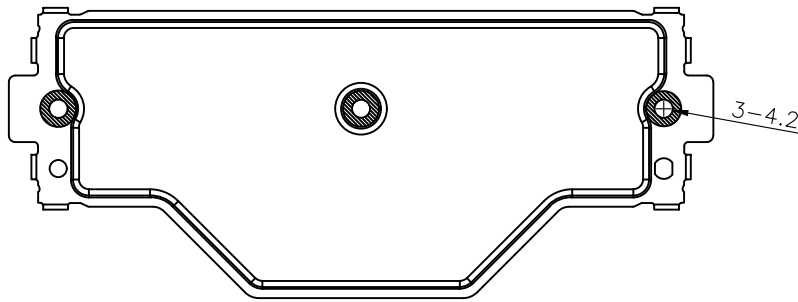


Electrophoretic paint on the surface color black  
t=0.01, Bracket should be no burrs in all area

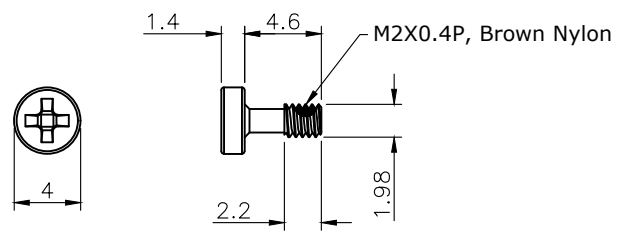
6	SPONGE	FOAMGLAS® ONE, DS-10	2
5	WASHER	PET, 0.15T	3
4	INSULATOR_2	PC, 0.1t	1
3	INSULATOR_1	PET, 0.15t	1
2	SCREW	Stainless steel, M2	3
1	COVER	Stainless steel	1

NO.		PART NAME		DESCRIPTION		QTY
UNLESS OTHERWISE SPECIFIED TOLERANCE						
UNIT:	DECIMAL	LINEAR	ANGLES		 www.attend.com.tw	
	X.	±0.50	±5°			
	X.X	±0.25	±3°			
	X.XX	±0.12	±1°			
DRAWN	Fros	2026/02/11	DRAWN NAME:			
CHECKED	Tim	2026/02/11	LPDDR5 CAMM2 Connector, Top Cover			
APPROVED	Ken	2026/02/11	PRODUCT NO.	127A-001		
SCALE	N/A	SHEET	1/2	SIZE	A4	
FILE NAME			127A-001_B_1			

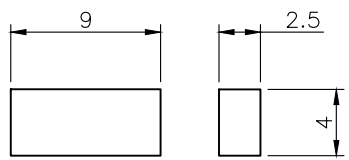
REV.	DESCRIPTION	DRAWN	DATE
------	-------------	-------	------



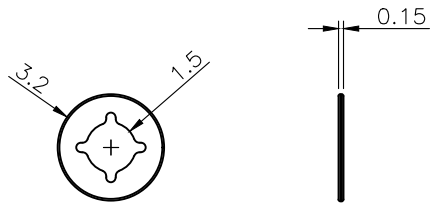
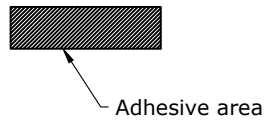
Electrophoretic paint area



Screw  
Scale 2:1



Sponge  
Scale 2:1



Washer  
Scale 4:1

UNLESS OTHERWISE SPECIFIED TOLERANCE

UNIT:	DECIMAL	LINEAR	ANGLES
mm	X.	±0.50	±5°
	X.X	±0.25	±3°
	X.XX	±0.12	±1°



www.attend.com.tw

DRAWN	Fros	2026/02/11
CHECKED	Tim	2026/02/11
APPROVED	Ken	2026/02/11
SCALE	N/A	SHEET 2/2
SIZE	A4	

DRAWN NAME:	
LPDDR5 CAMM2 Connector, Top Cover	
PRODUCT NO.	127A-001
FILE NAME	127A-001_B_1