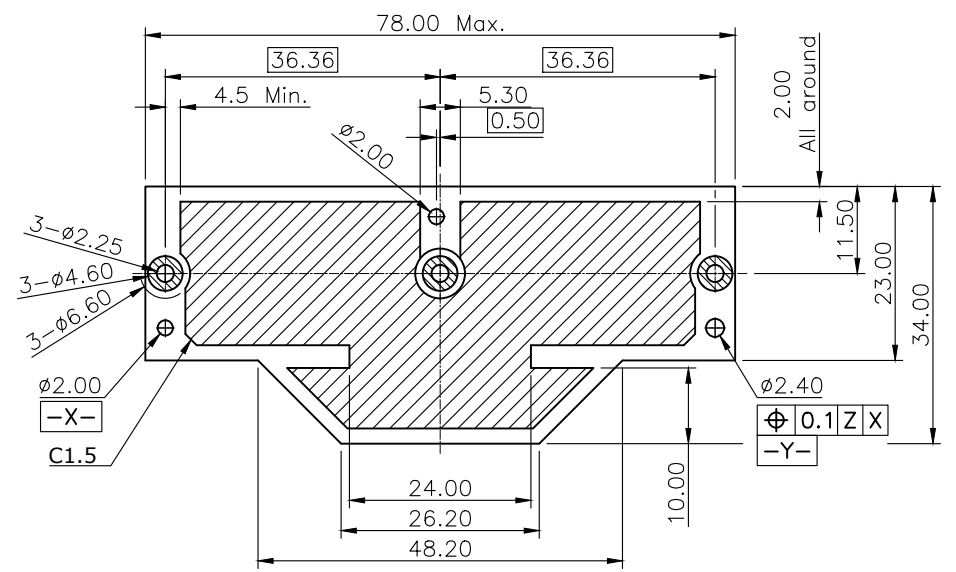
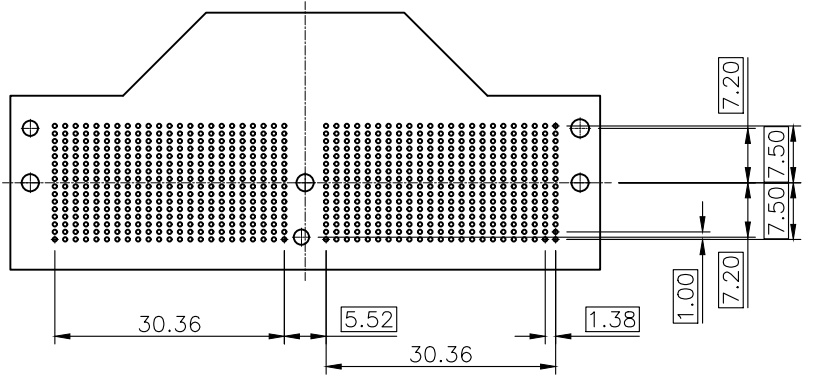
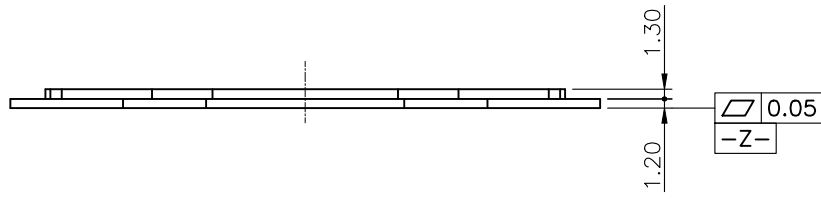


REV.	DESCRIPTION	DRAWN	DATE
------	-------------	-------	------



 Component area



Recommend module configuration

UNLESS OTHERWISE SPECIFIED TOLERANCE

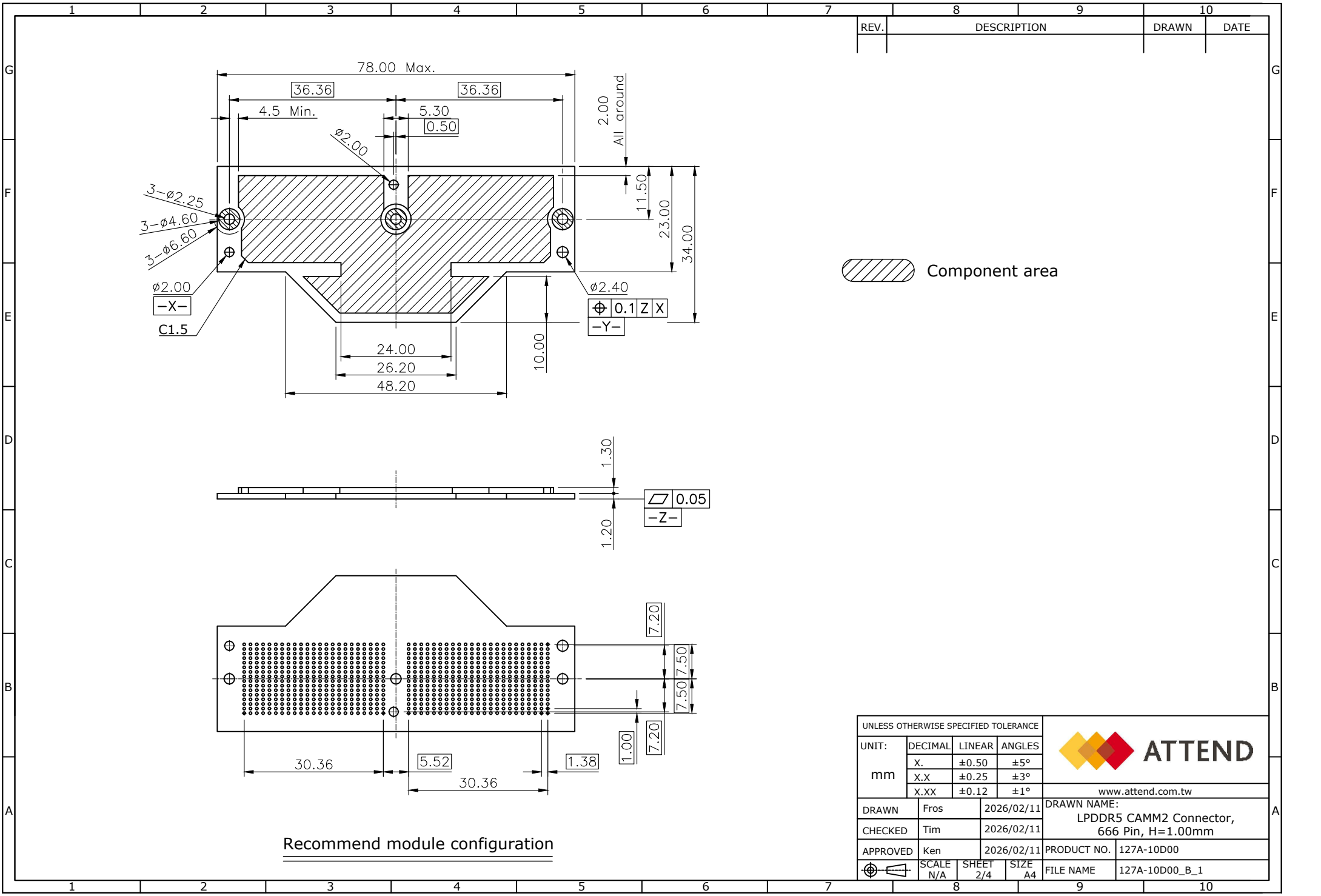
UNIT:	DECIMAL	LINEAR	ANGLES
mm	X.	\pm 0.50	\pm 5°
	X.X	\pm 0.25	\pm 3°
	X.XX	\pm 0.12	\pm 1°



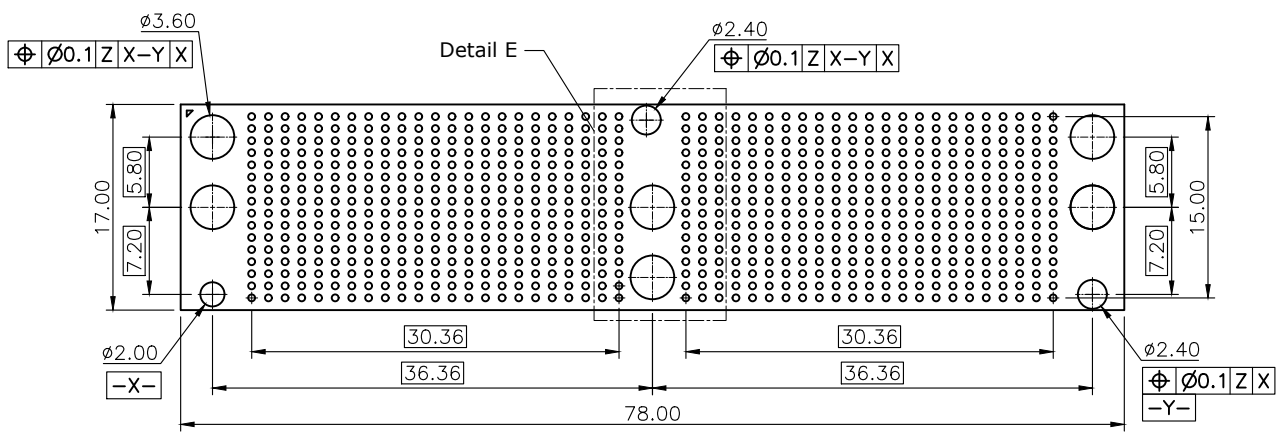
www.attend.com.tw

DRAWN	Fros	2026/02/11
CHECKED	Tim	2026/02/11
APPROVED	Ken	2026/02/11
SCALE	N/A	
SHEET	2/4	
SIZE	A4	

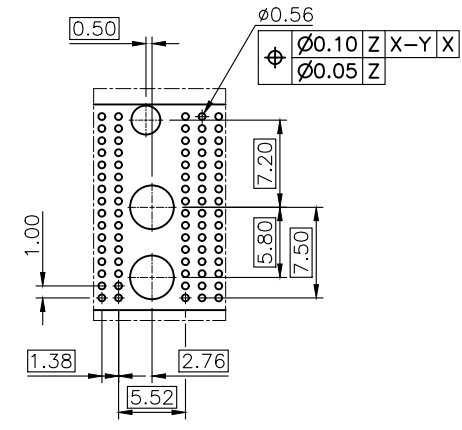
DRAWN NAME:	
LPDDR5 CAMM2 Connector, 666 Pin, H=1.00mm	
PRODUCT NO.	127A-10D00
FILE NAME	127A-10D00_B_1



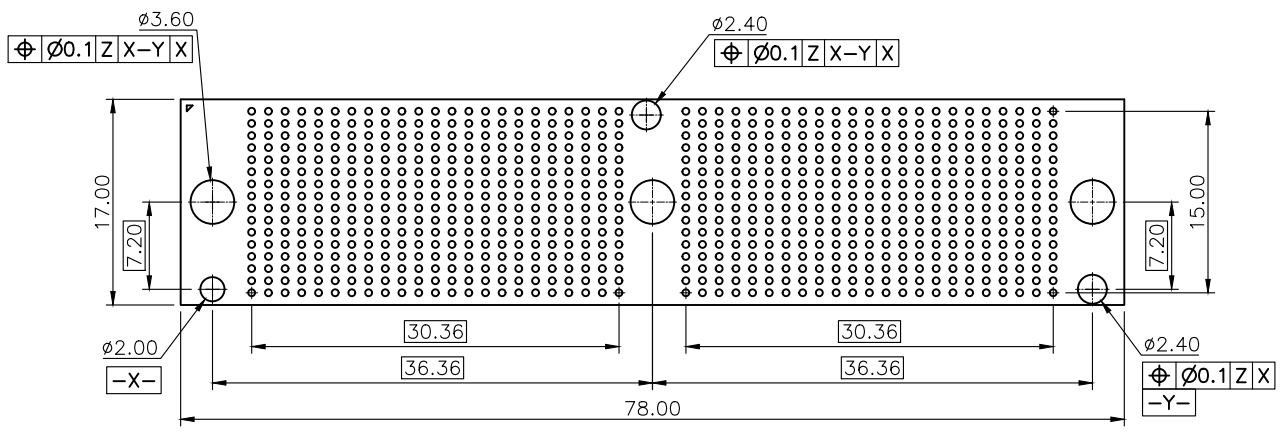
REV.	DESCRIPTION	DRAWN	DATE
------	-------------	-------	------



Mother PCB recommended layout (1)



Detail E



Mother PCB recommended layout (2)

UNLESS OTHERWISE SPECIFIED TOLERANCE

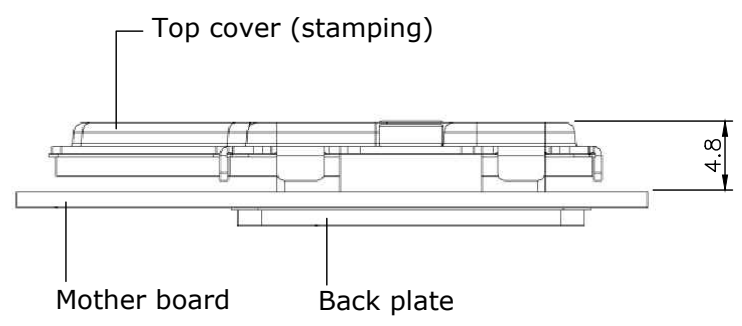
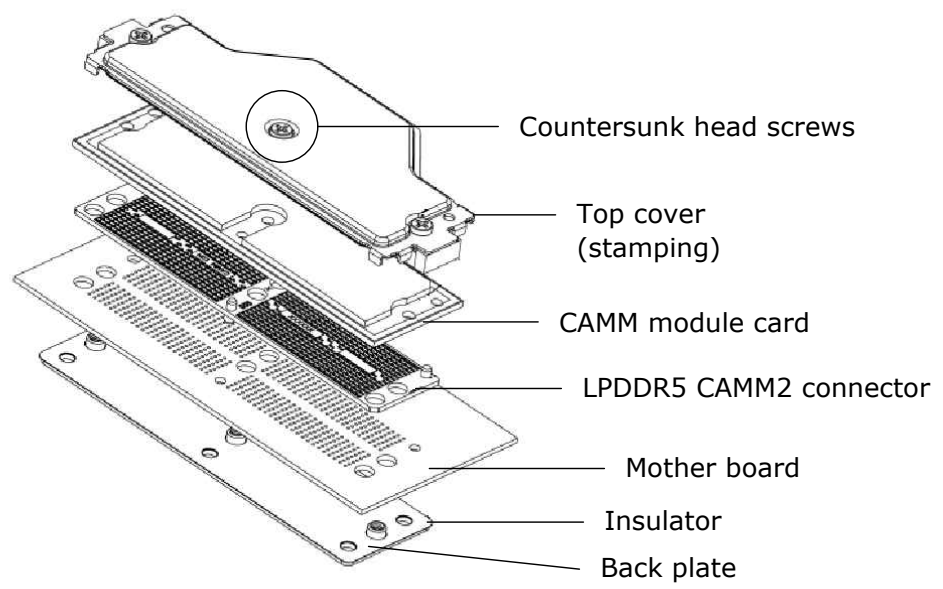
UNIT:	DECIMAL	LINEAR	ANGLES
mm	X.	±0.50	±5°
	X.X	±0.25	±3°
	X.XX	±0.12	±1°



www.attend.com.tw

DRAWN	Fros	2026/02/11	DRAWN NAME: LPDDR5 CAMM2 Connector, 666 Pin, H=1.00mm
CHECKED	Tim	2026/02/11	
APPROVED	Ken	2026/02/11	PRODUCT NO. 127A-10D00
	SCALE N/A	SHEET 3/4	FILE NAME 127A-10D00_B_1

REV.	DESCRIPTION	DRAWN	DATE
------	-------------	-------	------



UNLESS OTHERWISE SPECIFIED TOLERANCE

UNIT:	DECIMAL	LINEAR	ANGLES
mm	X.	±0.50	±5°
	X.X	±0.25	±3°
	X.XX	±0.12	±1°



www.attend.com.tw

DRAWN	Fros	2026/02/11
CHECKED	Tim	2026/02/11
APPROVED	Ken	2026/02/11
SCALE	N/A	
SHEET	4/4	
SIZE	A4	

DRAWN NAME:	
LPDDR5 CAMM2 Connector, 666 Pin, H=1.00mm	
PRODUCT NO.	127A-10D00
FILE NAME	127A-10D00_B_1

