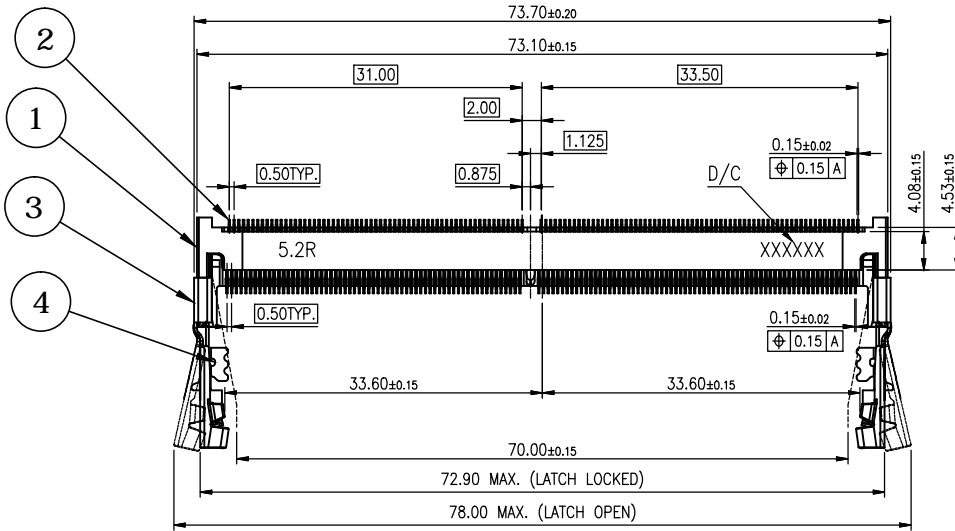


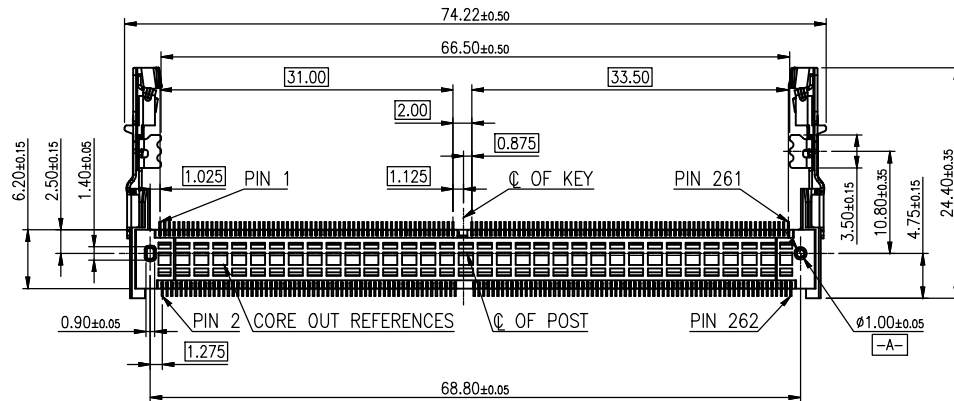
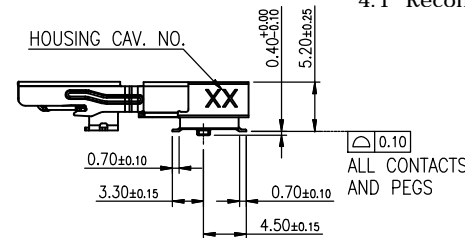
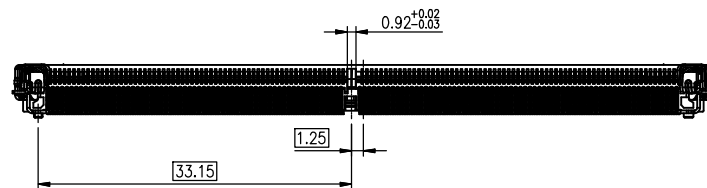
REV.	DESCRIPTION	DRAWN	DATE
1	INITIAL RELEASE	FROS	2021/03/23



DATE CODE: YYWWD  
YY: YEAR  
WW: WEEK (01~52)  
D: DAY (1~7)

**SPECIFICATION:**

1. ELECTRICAL
  - 1.1 Current Rating: 0.6A per pin
  - 1.2 Voltage Rating: 25V AC
  - 1.3 Contact Resistance: 60mΩ max.
  - 1.4 Insulation Resistance: 100MΩ
  - 1.5 Dielectric Withstanding Voltage: 500VAC
2. MECHANICAL
  - 2.1 Durability: 50 Cycle
  - 2.2 Insertion Force: 59.8N max.
  - 2.3 Extraction Force: 44.6N max.
3. ENVIRONMENTAL
  - 3.1 Operating temperature range: -40°C~+85°C
  - 3.2 Storage temperature range: -40°C~+85°C
4. SOLDER ABILITY
  - 4.1 Recommended IR-Reflow Temperature: 260°C



NO.	PART NAME	DESCRIPTION
4	PEG	Stainless steel, 50u"~150u" matte tin plating over 50u"~150u" nickel plating
3	LATCH	Stainless steel
2	CONTACT	Copper alloy, 1u" gold plating on contact and solder area, under plating nickel
1	HOUSING	Thermoplastic, UL94V-0, Black

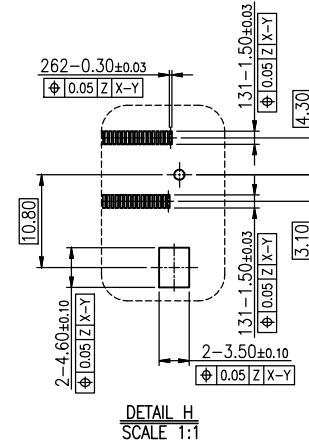
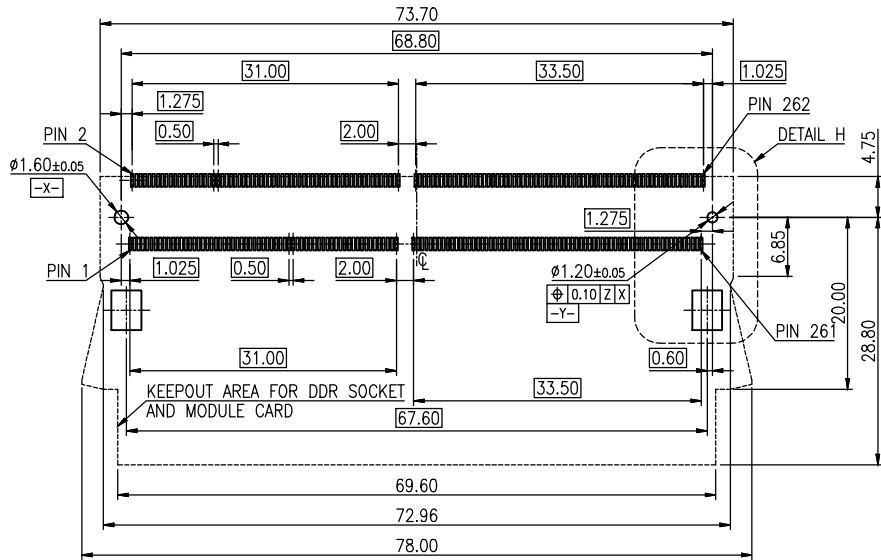
  

UNIT:	DECIMAL	LINEAR	ANGLES
mm	X.	±0.50	±5°
	X.X	±0.25	±3°
	X.XX	±0.12	±1°

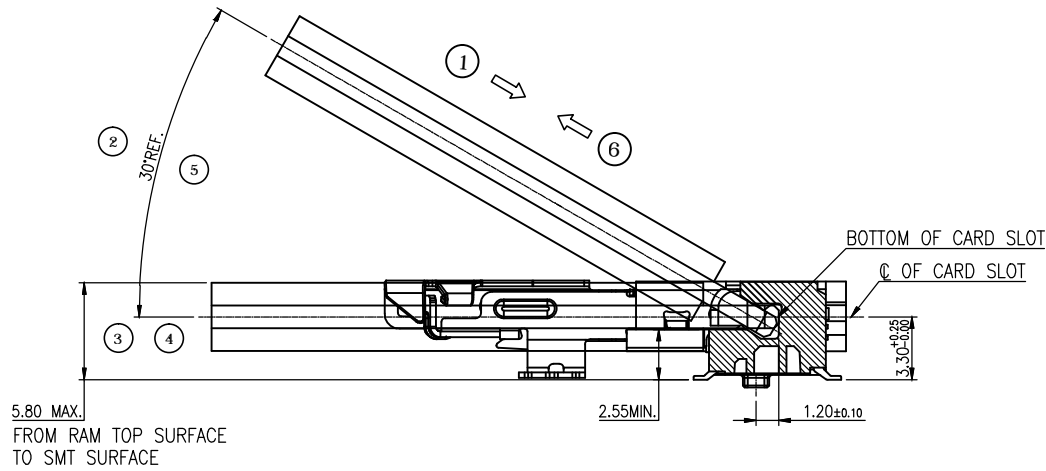
  

DRAWN	Fros	2021/03/23	<b>ATTEND</b> www.attend.com.tw DRAWN NAME: DDR5 SODIMM Socket, Horizontal 5.2H, RVS, G/F, Black, Reel, Solder PEG
CHECKED	Tim	2021/03/23	
APPROVED	Ken	2021/03/23	
SCALE	1.25	SHEET 1/2	
FILE NAME		126A-52A10_B_1	

REV.	DESCRIPTION	DRAWN	DATE
	see sheet one		



RECOMMEND P.C.BOARD LAYOUT  
 PCB THICKNESS 0.80mm MIN.  
 PCB LAYOUT GENERIC TOLERANCE:±0.05  
 ( [-z-] :PCB SURFACE )



MATING: ① INSERTING → ② ROTATING → ③ FIXED  
 UNMATING: ④ UNFIXED → ⑤ RISE UP → ⑥ EXTRACTING

MATING/UNMATING VIEW

UNLESS OTHERWISE SPECIFIED TOLERANCE							
UNIT:	DECIMAL	LINEAR	ANGLES				
mm	X.	±0.50	±5°				
	X.X	±0.25	±3°				
	X.XX	±0.12	±1°				
DRAWN	Fros	2021/03/23	DRAWN NAME: DDR5 SODIMM Socket, Horizontal 5.2H, RVS, G/F, Black, Reel, Solder PEG				
CHECKED	Tim	2021/03/23					
APPROVED	Ken	2021/03/23					
SCALE	1.25	SHEET	2/2	SIZE	A4	FILE NAME	126A-52A10_B_1



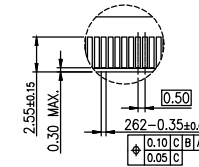
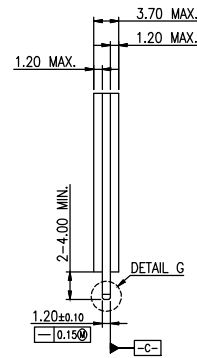
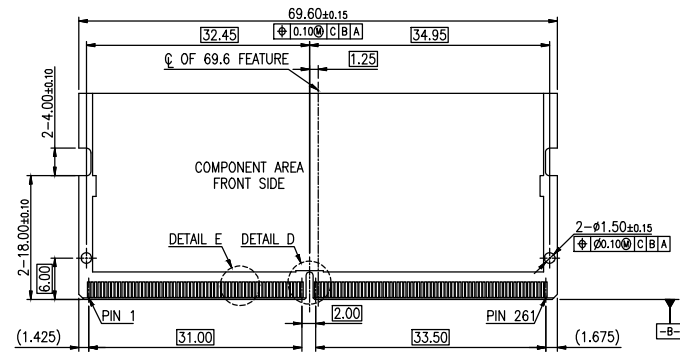
www.attend.com.tw

DRAWN NAME:  
DDR5 SODIMM Socket, Horizontal  
5.2H, RVS, G/F, Black, Reel, Solder PEG

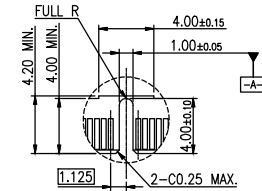
PRODUCT NO. 126A-52A10

FILE NAME 126A-52A10\_B\_1

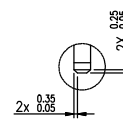
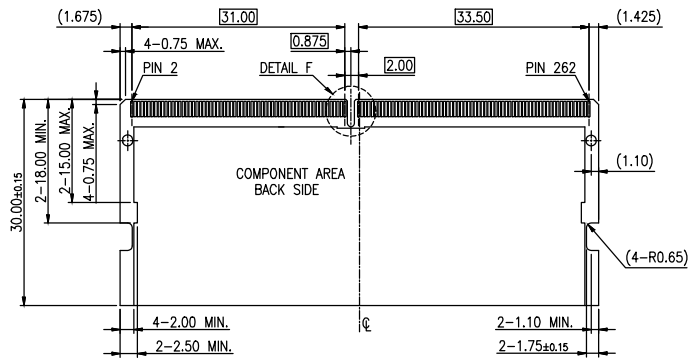
REV.	DESCRIPTION	DRAWN	DATE
1	INITIAL RELEASE	FROS	2021/03/23



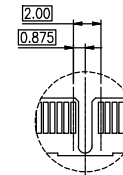
DETAIL E  
SCALE 2:1



DETAIL D  
SCALE 2:1



DETAIL G  
SCALE 2:1



DETAIL F  
SCALE 2:1

RECOMMEND MODULE CONFIGURATION

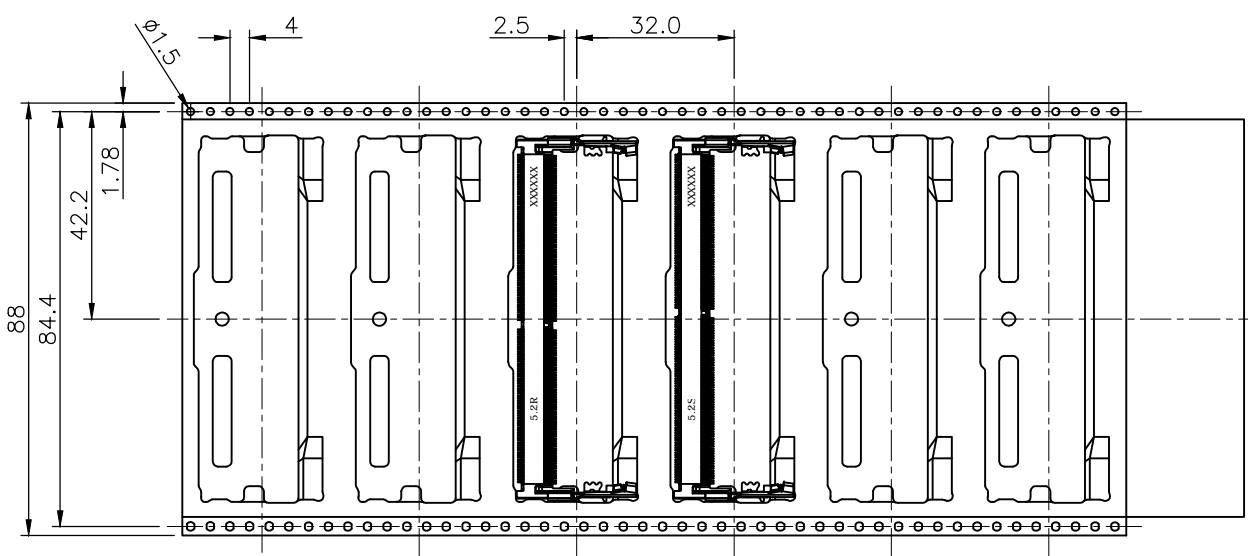
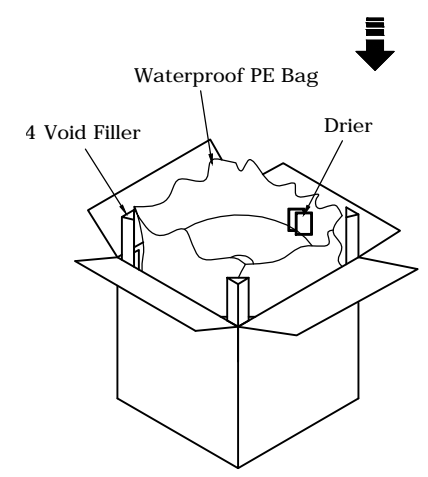
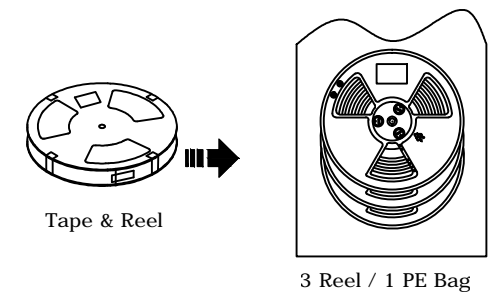
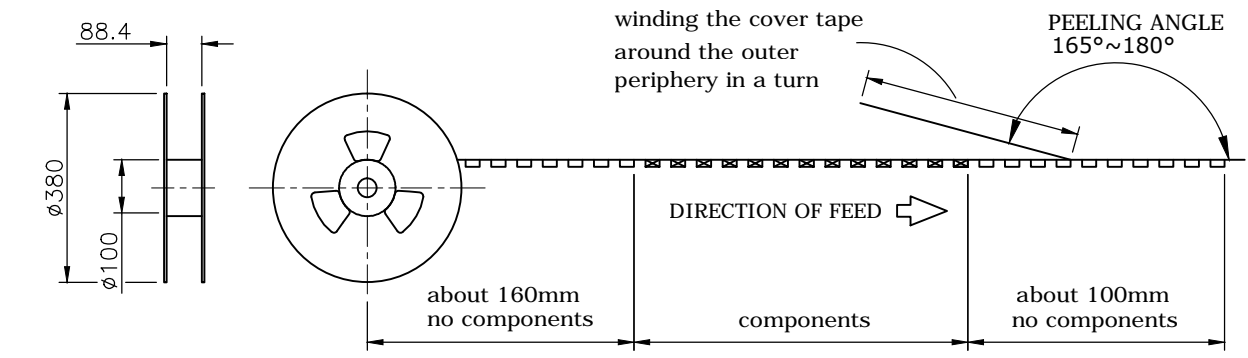
UNLESS OTHERWISE SPECIFIED TOLERANCE			
UNIT:	DECIMAL	LINEAR	ANGLES
mm	X.	±0.50	±5°
	X.X	±0.25	±3°
	X.XX	±0.12	±1°




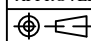
www.attend.com.tw

DRAWN	Fros	2021/03/23	DRAWN NAME:	262 PIN DDR5 SODIMM, 0.5MM PITCH PACKAGE	
CHECKED	Tim	2021/03/23	PRODUCT NO.		
APPROVED	Ken	2021/03/23	FILE NAME	126A-CARD_B_1	
SCALE	1.25	SHEET	1/1	SIZE	A4

REV.	DESCRIPTION	DRAWN	DATE
1	INITIAL RELEASE	FROS	2021/03/23



PART NO.	PCS/REEL	REEL/CARTON	PCS/CARTON
126A-52A00	450	3	1350
126A-52A10	450	3	1350

UNLESS OTHERWISE SPECIFIED TOLERANCE				 www.attend.com.tw	
UNIT:	DECIMAL	LINEAR	ANGLES		
mm	X.	±0.50	±5°		
	X.X	±0.25	±3°		
	X.XX	±0.12	±1°		
DRAWN	Fros	2021/03/23	DRAWN NAME: Packaging for DDR5 SODIMM Socket, Horizontal, 5.2H, Reel 88.0mm		
CHECKED	Tim	2021/03/23	PRODUCT NO. SEE TABLE		
APPROVED	Ken	2021/03/23	SCALE	SHEET	SIZE
		N/A	1/1	A4	FILE NAME
					126A-52AX0_D_1