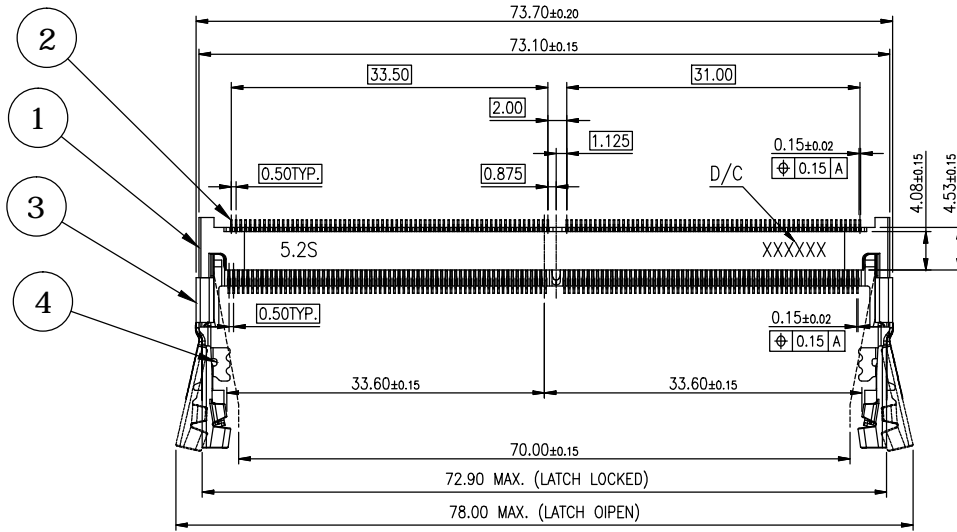


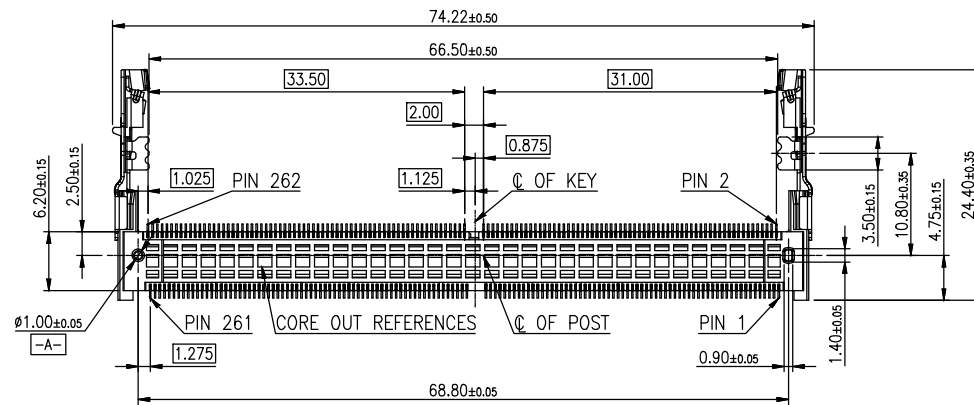
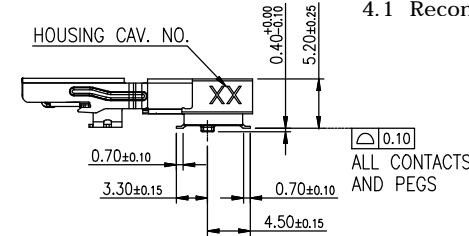
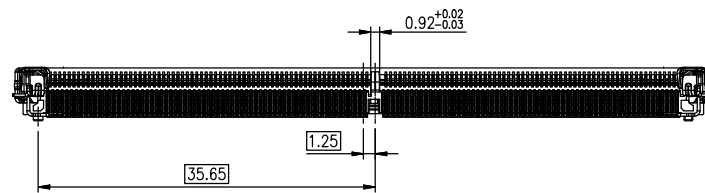
REV.	DESCRIPTION	DRAWN	DATE
1	INITIAL RELEASE	FROS	2021/03/23



DATE CODE: YYWWD
 YY: YEAR
 WW: WEEK (01~52)
 D: DAY (1~7)

SPECIFICATION:

1. ELECTRICAL
 - 1.1 Current Rating: 0.6A per pin
 - 1.2 Voltage Rating: 25V AC
 - 1.3 Contact Resistance: 60mΩ max.
 - 1.4 Insulation Resistance: 100MΩ
 - 1.5 Dielectric Withstanding Voltage: 500VAC
2. MECHANICAL
 - 2.1 Durability: 50 Cycle
 - 2.2 Insertion Force: 59.8N max.
 - 2.3 Extraction Force: 44.6N max.
3. ENVIRONMENTAL
 - 3.1 Operating temperature range: -40°C~+85°C
 - 3.2 Storage temperature range: -40°C~+85°C
4. SOLDER ABILITY
 - 4.1 Recommended IR-Reflow Temperature: 260°C



4	PEG	Stainless steel, 50u"~150u" matte tin plating over 50u"~150u" nickel plating
3	LATCH	Stainless steel
2	CONTACT	Copper alloy, 1u" gold plating on contact and solder area, under plating nickel
1	HOUSING	Thermoplastic, UL94V-0, Black
NO. PART NAME		DESCRIPTION

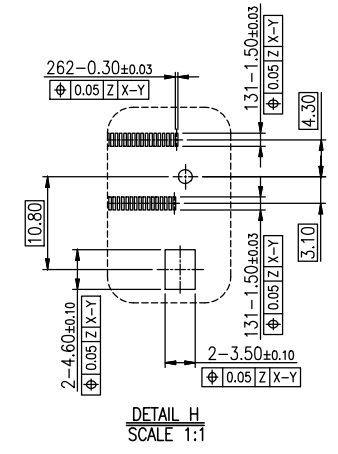
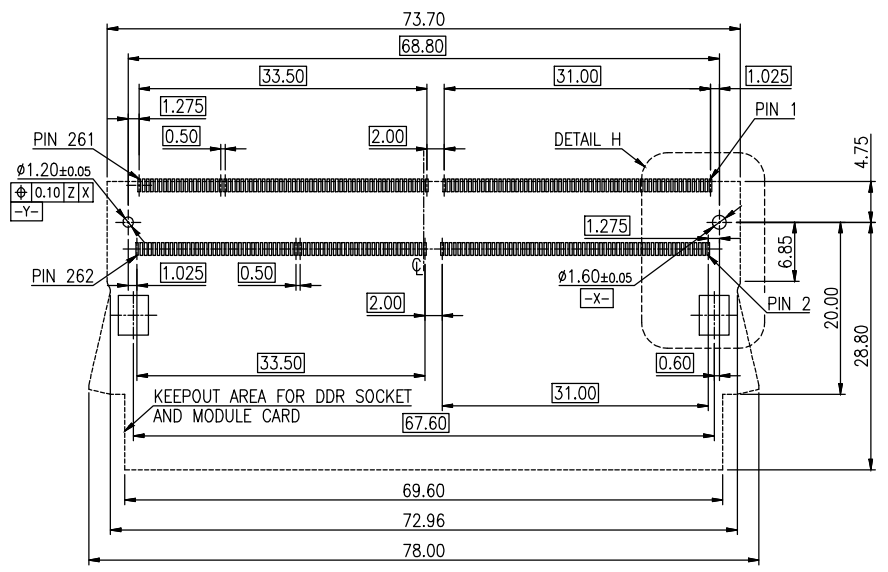
UNLESS OTHERWISE SPECIFIED TOLERANCE			
UNIT:	DECIMAL	LINEAR	ANGLES
mm	X.	±0.50	±5°
	X.X	±0.25	±3°
	X.XX	±0.12	±1°



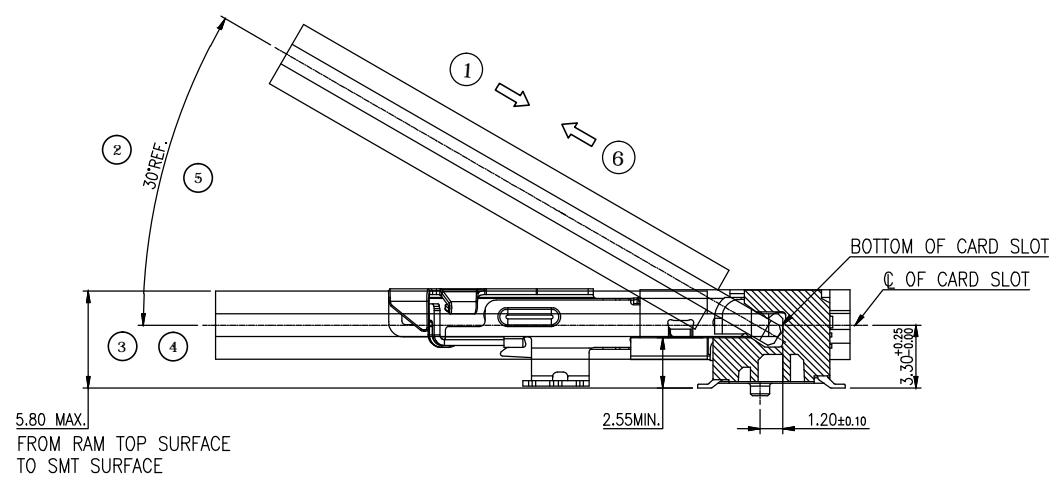
www.attend.com.tw

DRAWN	Fros	2021/03/23	DRAWN NAME:	DDR5 SODIMM Socket, Horizontal	
CHECKED	Tim	2021/03/23		5.2H, STD, G/F, Black, Reel, Solder PEG	
APPROVED	Ken	2021/03/23	PRODUCT NO.	126A-52A00	
SCALE	1.25	SHEET	1/2	SIZE	A4
			FILE NAME	126A-52A00_B_1	

REV.	DESCRIPTION	DRAWN	DATE
	see sheet one		



RECOMMEND P.C.BOARD LAYOUT
 PCB THICKNESS 0.80mm MIN.
 PCB LAYOUT GENERIC TOLERANCE:±0.05
 ([-z-]:PCB SURFACE)

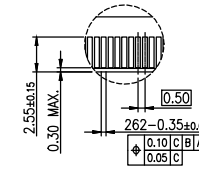
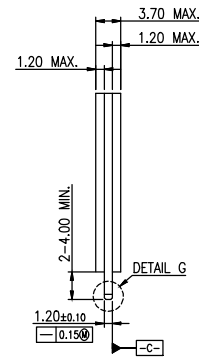
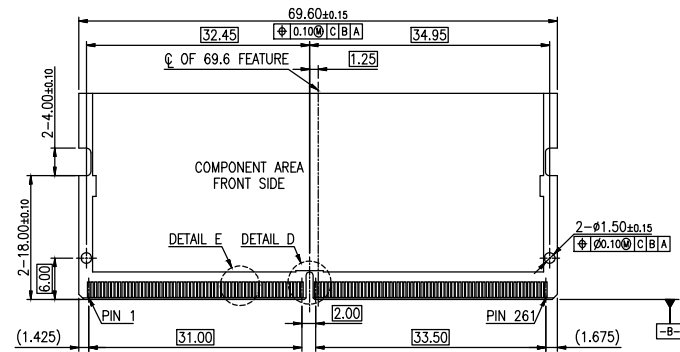


MATING: ① INSERTING → ② ROTATING → ③ FIXED
 UNMATING: ④ UNFIXED → ⑤ RISE UP → ⑥ EXTRACTING

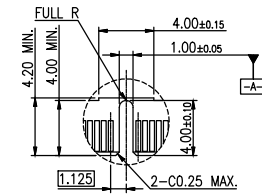
MATING/UNMATING VIEW

UNLESS OTHERWISE SPECIFIED TOLERANCE				
UNIT:	DECIMAL	LINEAR	ANGLES	
mm	X, X.X, X.XX	±0.50, ±0.25, ±0.12	±5°, ±3°, ±1°	
DRAWN: Fros, 2021/03/23				www.attend.com.tw
CHECKED: Tim, 2021/03/23				DRAWN NAME: DDR5 SODIMM Socket, Horizontal 5.2H, STD, G/F, Black, Reel, Solder PEG
APPROVED: Ken, 2021/03/23				PRODUCT NO. 126A-52A00
SCALE: 1.25, SHEET: 2/2, SIZE: A4				FILE NAME: 126A-52A00_B_1

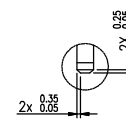
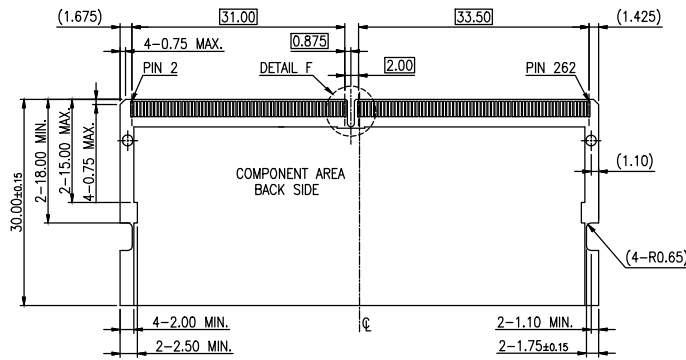
REV.	DESCRIPTION	DRAWN	DATE
1	INITIAL RELEASE	FROS	2021/03/23



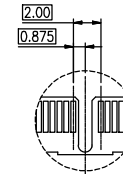
DETAIL E
SCALE 2:1



DETAIL D
SCALE 2:1



DETAIL G
SCALE 2:1



DETAIL F
SCALE 2:1

RECOMMEND MODULE CONFIGURATION

UNLESS OTHERWISE SPECIFIED TOLERANCE			
UNIT:	DECIMAL	LINEAR	ANGLES
mm	X.	±0.50	±5°
	X.X	±0.25	±3°
	X.XX	±0.12	±1°

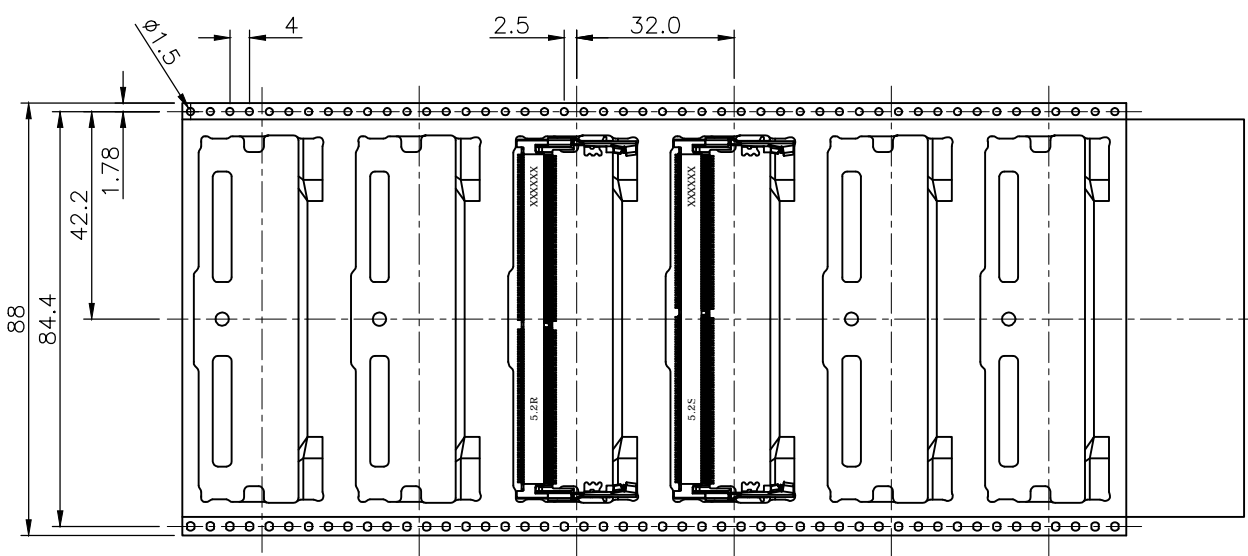
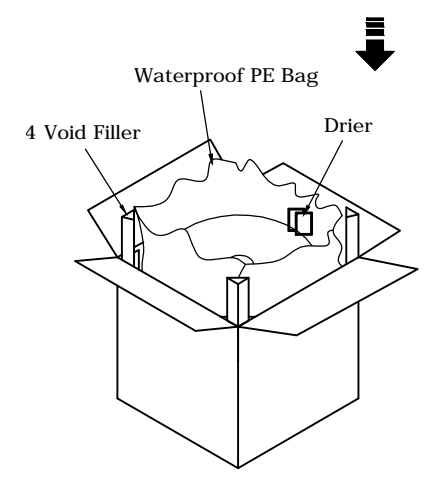
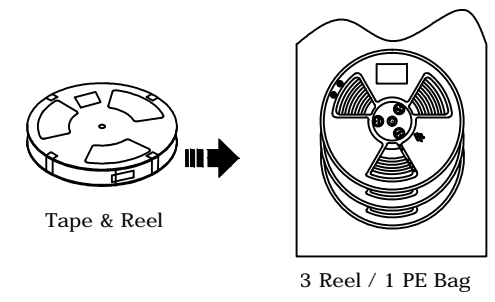
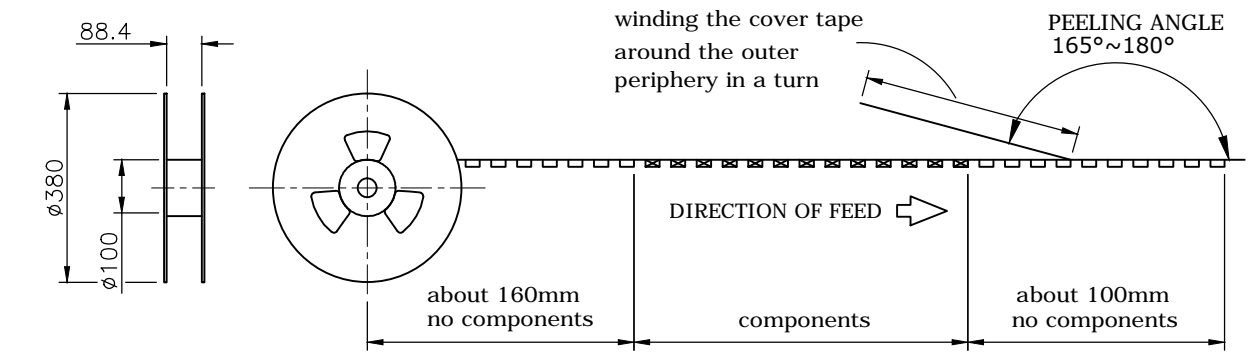
DRAWN	Fros	2021/03/23	DRAWN NAME: 262 PIN DDR5 SODIMM, 0.5MM PITCH PACKAGE				
CHECKED	Tim	2021/03/23					
APPROVED	Ken	2021/03/23	PRODUCT NO.				
SCALE	1.25	SHEET	1/1	SIZE	A4	FILE NAME	126A-CARD_B_1




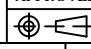
www.attend.com.tw



REV.	DESCRIPTION	DRAWN	DATE
1	INITIAL RELEASE	FROS	2021/03/23



PART NO.	PCS/REEL	REEL/CARTON	PCS/CARTON
126A-52A00	450	3	1350
126A-52A10	450	3	1350

UNLESS OTHERWISE SPECIFIED TOLERANCE				 www.attend.com.tw		
UNIT:	DECIMAL	LINEAR	ANGLES			DRAWN NAME: Packaging for DDR5 SODIMM Socket, Horizontal, 5.2H, Reel 88.0mm
mm	X.	±0.50	±5°			
	X.X	±0.25	±3°			
	X.XX	±0.12	±1°			
DRAWN	Fros	2021/03/23	DRAWN NAME:			
CHECKED	Tim	2021/03/23	Packaging for DDR5 SODIMM Socket, Horizontal, 5.2H, Reel 88.0mm			
APPROVED	Ken	2021/03/23	PRODUCT NO.	SEE TABLE		
 SCALE N/A		SHEET 1/1	SIZE A4	FILE NAME	126A-52AX0_D_1	