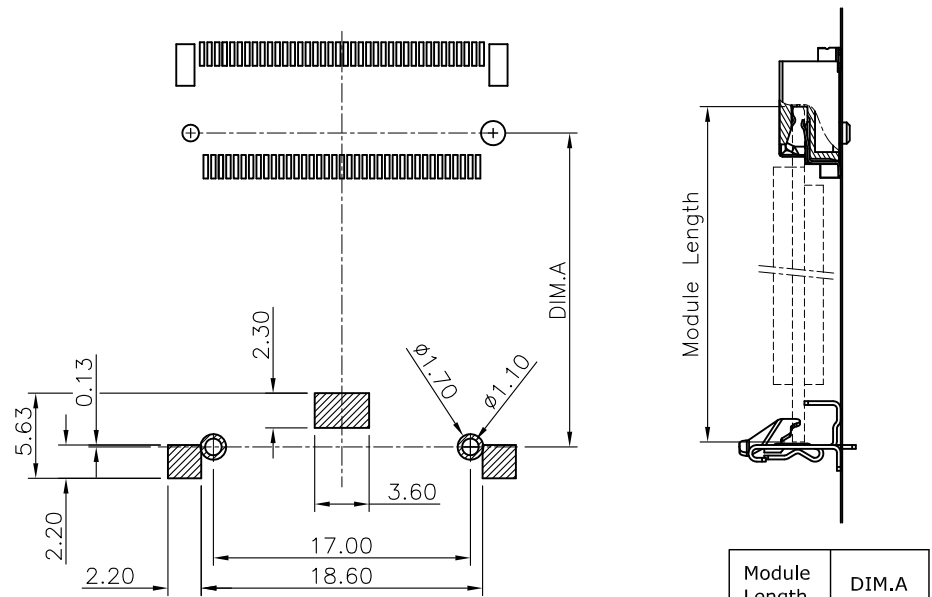
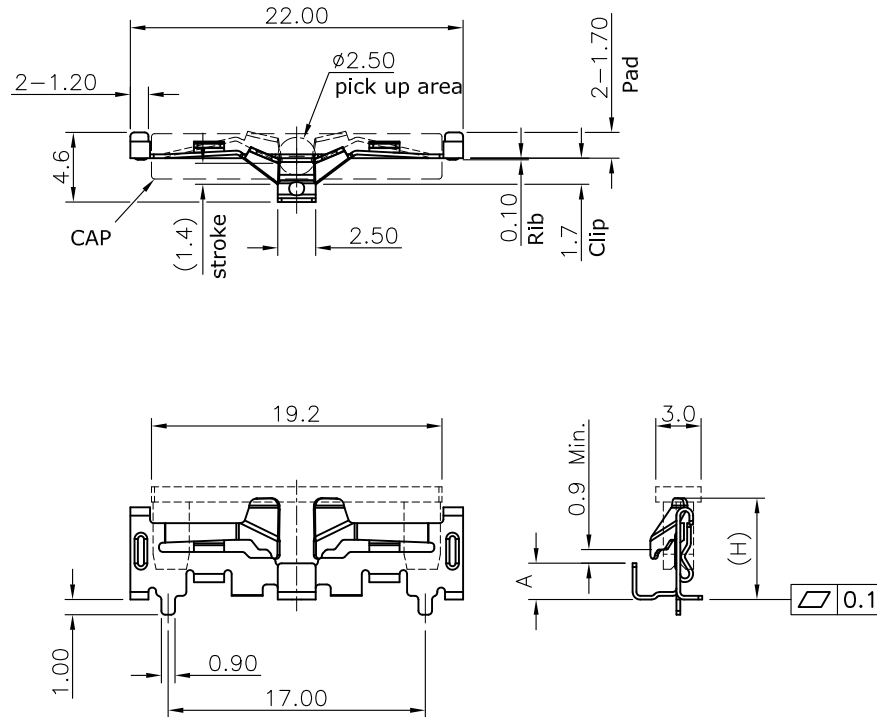


**NOTES:**

1. Material: stainless steel (SUS301-3/4H) 0.25t
2. Finish: 80~120u" tin plating under 20~40u" nickel plating over all
3. Burr 0.03mm max.
4. Coplanarity is 0.1mm max.
5. RoHS compliant
6. Packaging: tape and reel

REV.	DESCRIPTION	DRAWN	DATE
2	Revised PCB layout, release drawing	FROS	2021/06/23
3	Revised packaging	FROS	2021/08/03
3.1	Revised tolerance	FROS	2021/09/28



RECOMMENDED LAYOUT (TOP VIEW)  
GENERAL TOLERANCE: ±0.05mm


**How to order:**

123A- XX L 1

XX: Connector height  
L: Latch  
1: serial number

XX	P/N	Dim. A	Dim. H
30	123A- 30 L 1	1.40	5.7
40	123A- 40 L 1	2.40	6.7
58	123A- 58 L 1	4.05	8.4

UNLESS OTHERWISE SPECIFIED TOLERANCE			
UNIT:	DECIMAL	LINEAR	ANGLES
mm	X.X	±0.50	±5°
	X.XX	±0.25	±3°
	X.XXX	±0.12	±1°



www.attend.com.tw

DRAWN	Fros	2020/12/25	DRAWN NAME:	M.2 Latch (30/40/58), Reel
CHECKED	Tim	2020/12/25	PRODUCT NO.	SEE TABLE
APPROVED	Ken	2020/12/25	FILE NAME	123A-XXL1_B_3.1