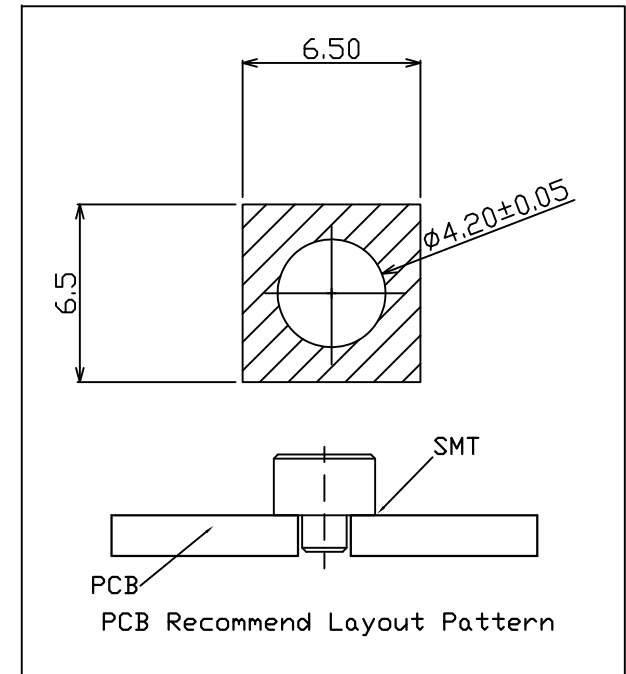
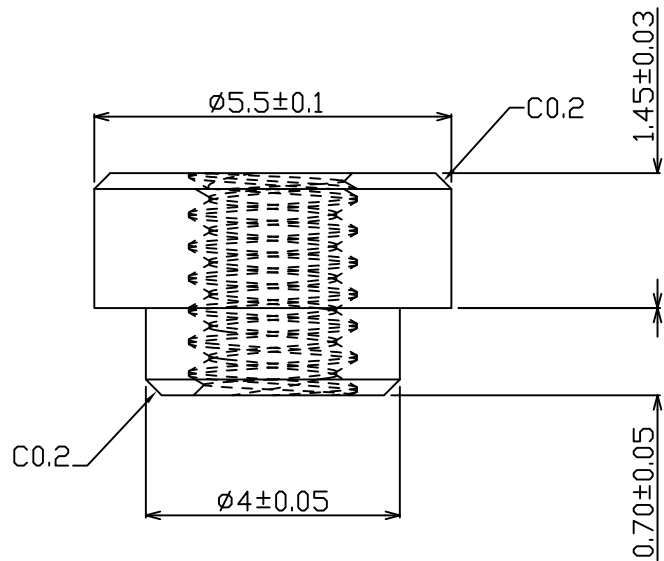


NOTE:

- 1.MATERIAL: Copper Alloy
- 2.Plating: Sn.



REV.	DESCRIPTION	DATE	REV.	DESCRIPTION	DATE	SIZE	REV.	FILE NAME
1			4			A4	1.0	123A-NUT-32_B_1
2			5					
3			6					
4			7					
5			8					
6			9					
7			10					

UNLESS OTHERWISE SPECIFIED TOLERANCE			www.attend.com.tw					
ANGLES	ANG.	±5°	DRAWN NAME: M.2 Connector Stand Off					
	0.	±0.3						
LINEAR	0.0	±0.25						
	0.00	±0.20	PRODUCT NO. 123A-NUT-32					
SCALE	AS SHOWN	UNIT: mm	DRAWN NAME: M.2 Connector Stand Off					
DRAWN	Willis	2013/08/06	PRODUCT NO. 123A-NUT-32					
CHECKED	Angel	2013/08/06	DRAWN NAME: M.2 Connector Stand Off					
APPROVED	Ken	2013/08/06	PRODUCT NO. 123A-NUT-32					
REV.	DESCRIPTION	DATE	REV.	DESCRIPTION	DATE	SIZE	REV.	FILE NAME
1			4			A4	1.0	123A-NUT-32_B_1



www.attend.com.tw  
 DRAWN NAME: M.2 Connector Stand Off  
 PRODUCT NO. 123A-NUT-32  
 FILE NAME 123A-NUT-32\_B\_1