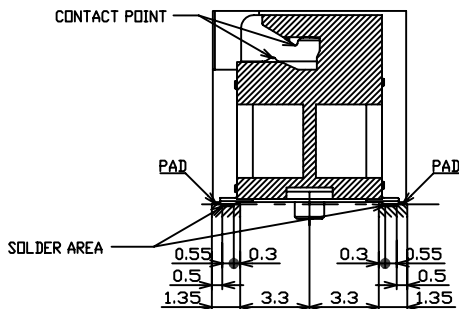
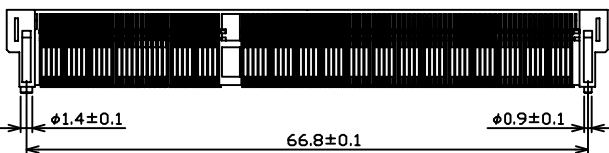
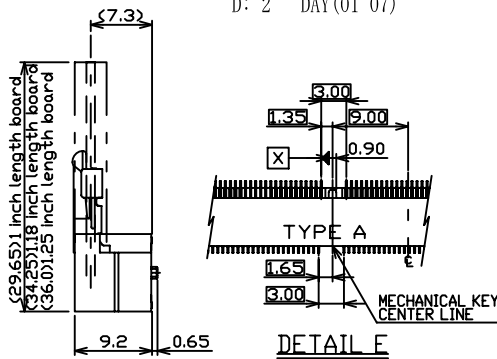
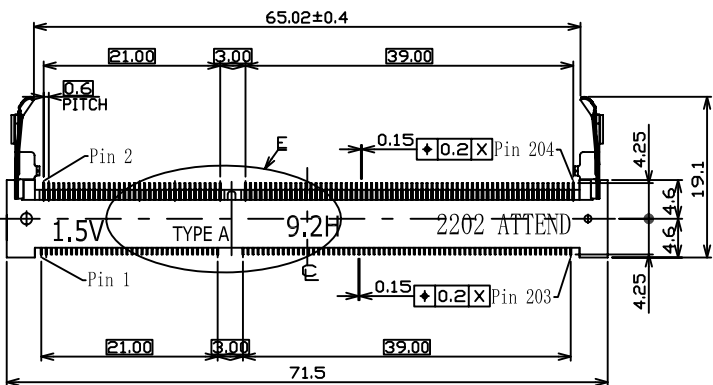
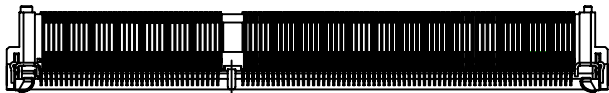


1	2	3	4	5	6	7	8	9	10
SWITCH CIRCUIT			MATERIAL AND FINISH AS BELOW						
WHEN CARD IS EJECTED		WHEN CARD IS INSERTED		A	Housing	LCP UL94V-0 Black	E		
				B	Contact	Phosphor Bronze C5210, Contact Area: Gold Flash	F		
				C	Latch	Stainless Steel SUS301	G		
				D			H		



NOTES:
DATE CODE 2202 (YWWD)
Y: 2 YEAR(2012)
WW:20 WEEK(01~52)
D: 2 DAY(01~07)

SPECIFICATION:

- 1. ELECTRICAL**
1.1 Current Rating: 0.5A per pin
1.2 Voltage Rating: 25V AC/DC
1.3 Contact Resistance: 60mΩ
1.4 Insulation Resistance: 500MΩ
1.5 Dielectric Withstanding Voltage: 125VAC

- 2. MECHANICAL**
2.1 Durability: 25 Cycle
2.2 Latch Retention Force: 8 N/Pos. Min

- 3. ENVIRONMENTAL**
3.1 Operating temperature range: -40°C~+85°C
3.2 Storage temperature range: -40°C~+85°C

- 4. SOLDER ABILITY**
4.1 Recommended IR Reflow Temperature: 255°C 10Sec

P1	P2	P3	P4	P5	P6	P7	P8	P9	P10	P11	P12
PIN ASSIGNMENT											
122A-92A00			SO DIMM DDR3 Socket 1.5V 204Pin Type 9.2H, Contact Area: Gold Flash								
PRODUCT NO.			DESCRIPTION								

UNLESS OTHERWISE SPECIFIED TOLERANCE		
ANGLES	ANG.	±5°
LINEAR	0.	±0.3
	0.0	±0.25
	0.00	±0.20
SCALE	AS SHOWN	UNIT: mm
DRAWN	Willis	2012/12/05
CHECKED	Angel	2012/12/05
APPROVED	Ken	2012/12/05



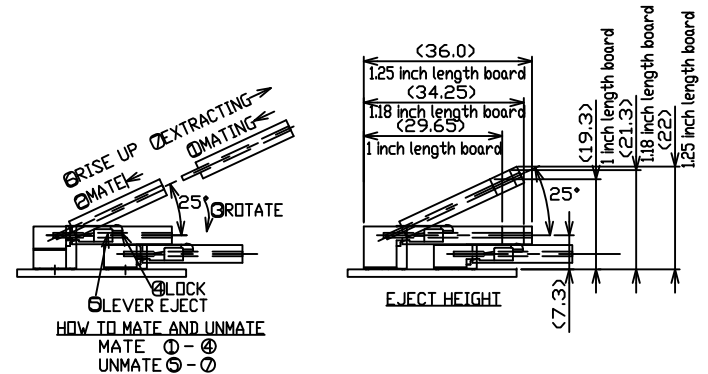
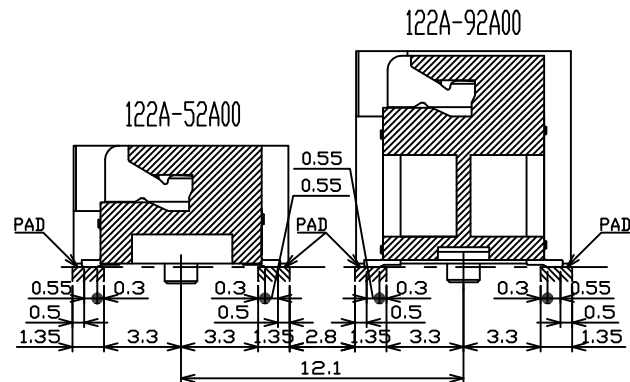
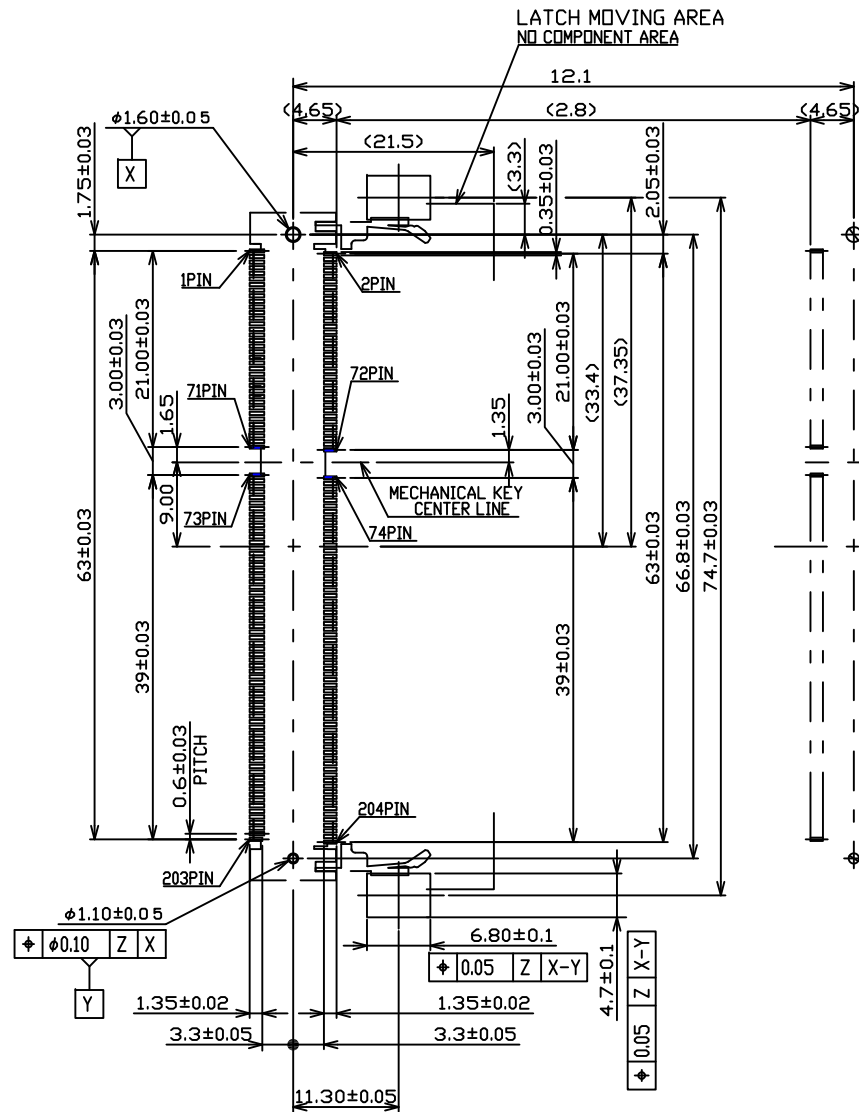
www.attend.com.tw
DRAWN NAME:
SO DIMM DDR3 Socket 1.5V 204Pin 9.2H Type
PRODUCT NO. 122A-92A00
FILE NAME 122A-92A00_B_1

REV.	DESCRIPTION	DATE	REV.	DESCRIPTION	DATE
1			4		
2			5		
3			6		

- △ Revise:
- △ Revise:
- △ Revise:



SIZE A4
REV. 1.0



REV.	DESCRIPTION	DATE	REV.	DESCRIPTION	DATE	SIZE	REV.	FILE NAME
1			1			A4	1.0	122A-92A00_B_1
2			2					
3			3					
4			4					
5			5					
6			6					
7			7					
8			8					
9			9					
10			10					

UNLESS OTHERWISE SPECIFIED TOLERANCE		
ANGLES	ANG.	±5°
LINEAR	0.	±0.3
	0.0	±0.25
	0.00	±0.20
SCALE	AS SHOWN	UNIT: mm
DRAWN	Willis	2012/12/05
CHECKED	Angel	2012/12/05
APPROVED	Ken	2012/12/05

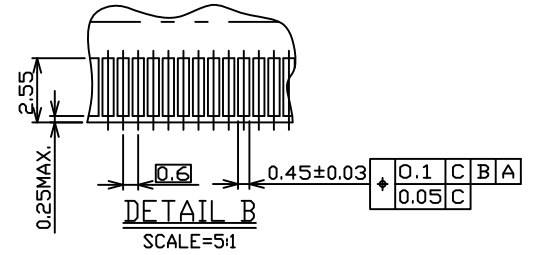
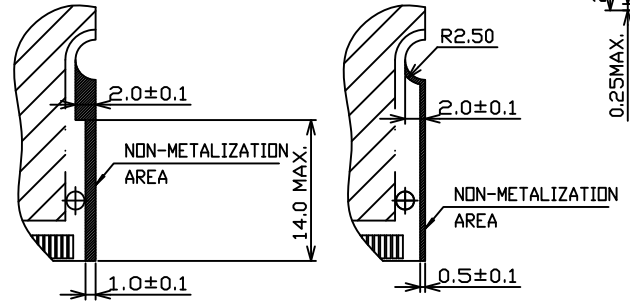
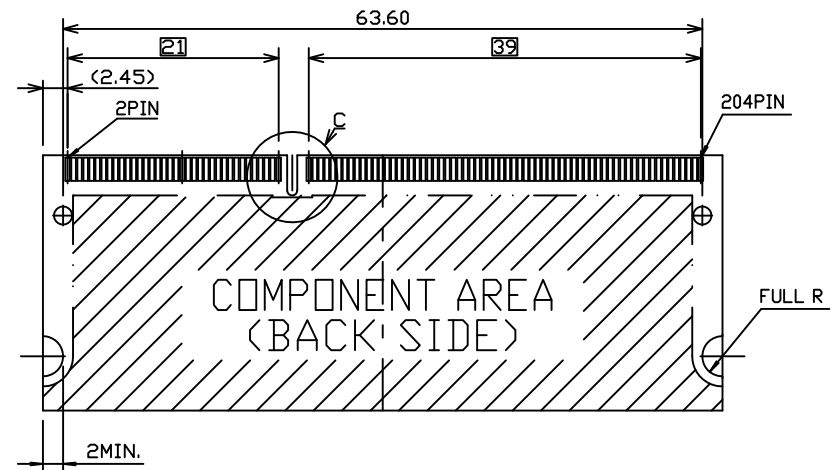
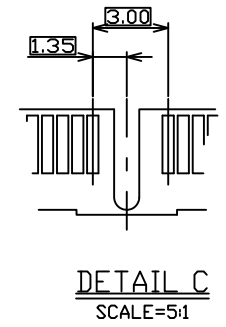
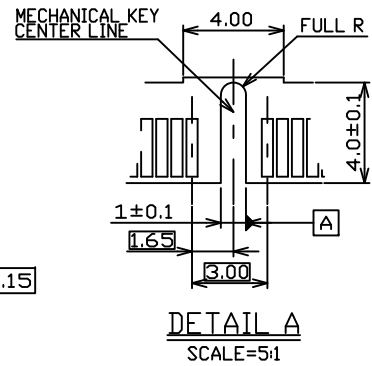
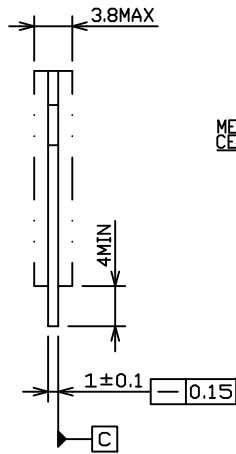
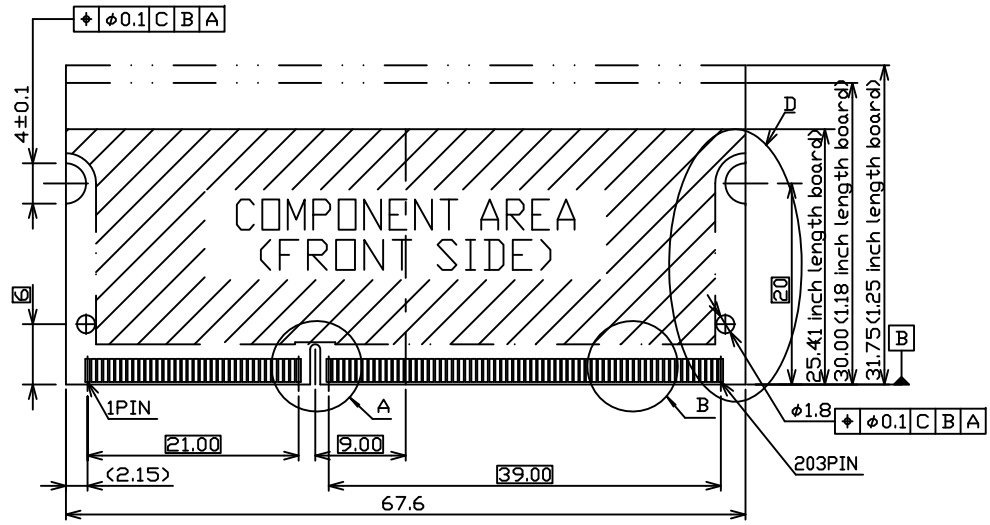


www.attend.com.tw

DRAWN NAME: SO DIMM DDR3 Socket 1.5V 204Pin 9.2H Type

PRODUCT NO. 122A-92A00

△	Revise:							
△	Revise:							
△	Revise:							

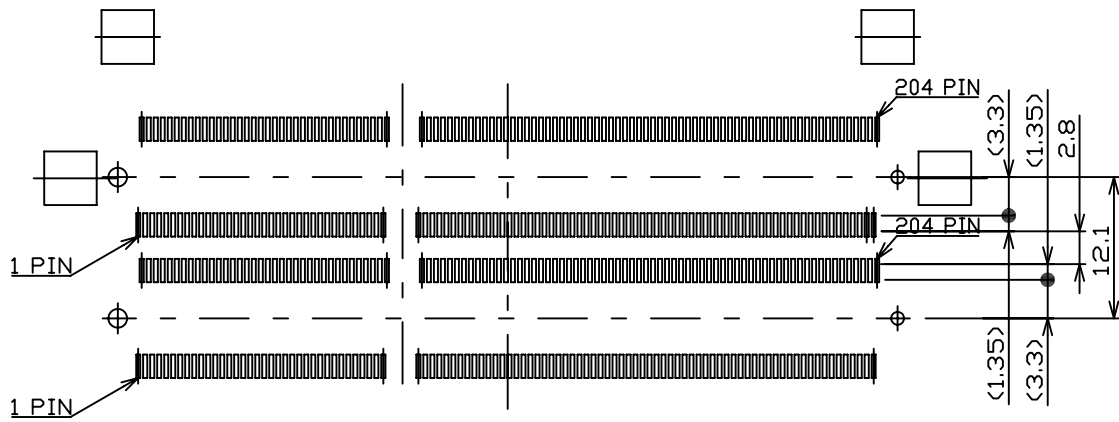


RECOMMENDED MATING
P.C. BOARD DIM.

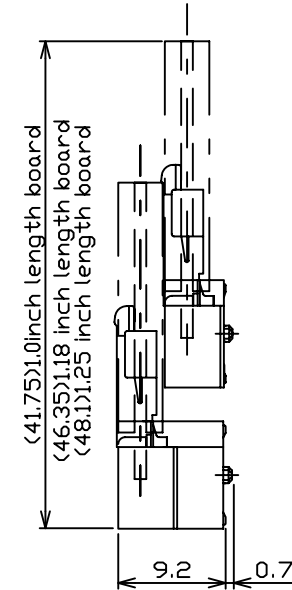
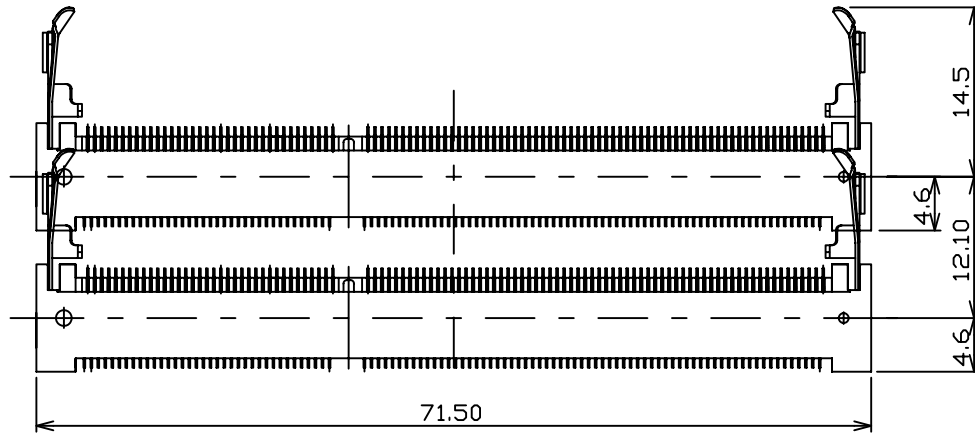
						UNLESS OTHERWISE SPECIFIED TOLERANCE					
						ANGLES	ANG.	±5°			
						LINEAR	0.	±0.3			
							0.0	±0.25			
						0.00	±0.20				
						SCALE	AS SHOWN	UNIT: mm	www.attend.com.tw		
						DRAWN	Willis	2012/12/05	DRAWN NAME:		
						CHECKED	Angel	2012/12/05	SO DIMM DDR3 Socket 1.5V 204Pin 9.2H Type		
						APPROVED	Ken	2012/12/05	PRODUCT NO.	122A-92A00	
REV.	DESCRIPTION	DATE	REV.	DESCRIPTION	DATE	SIZE	A4	REV.	1.0	FILE NAME	122A-92A00_B_1
1											

Revise:
Revise:
Revise:

A



RECOMMENDED MOUNTING
P.C. BOARD PATTERN LAYOUT DIM.



Combination Dimension for H=5.2 connector

(Only the combination of the P/N 122A-52A00 (H=5.2) and 122A-92A00 (H=9.2) is possible.)

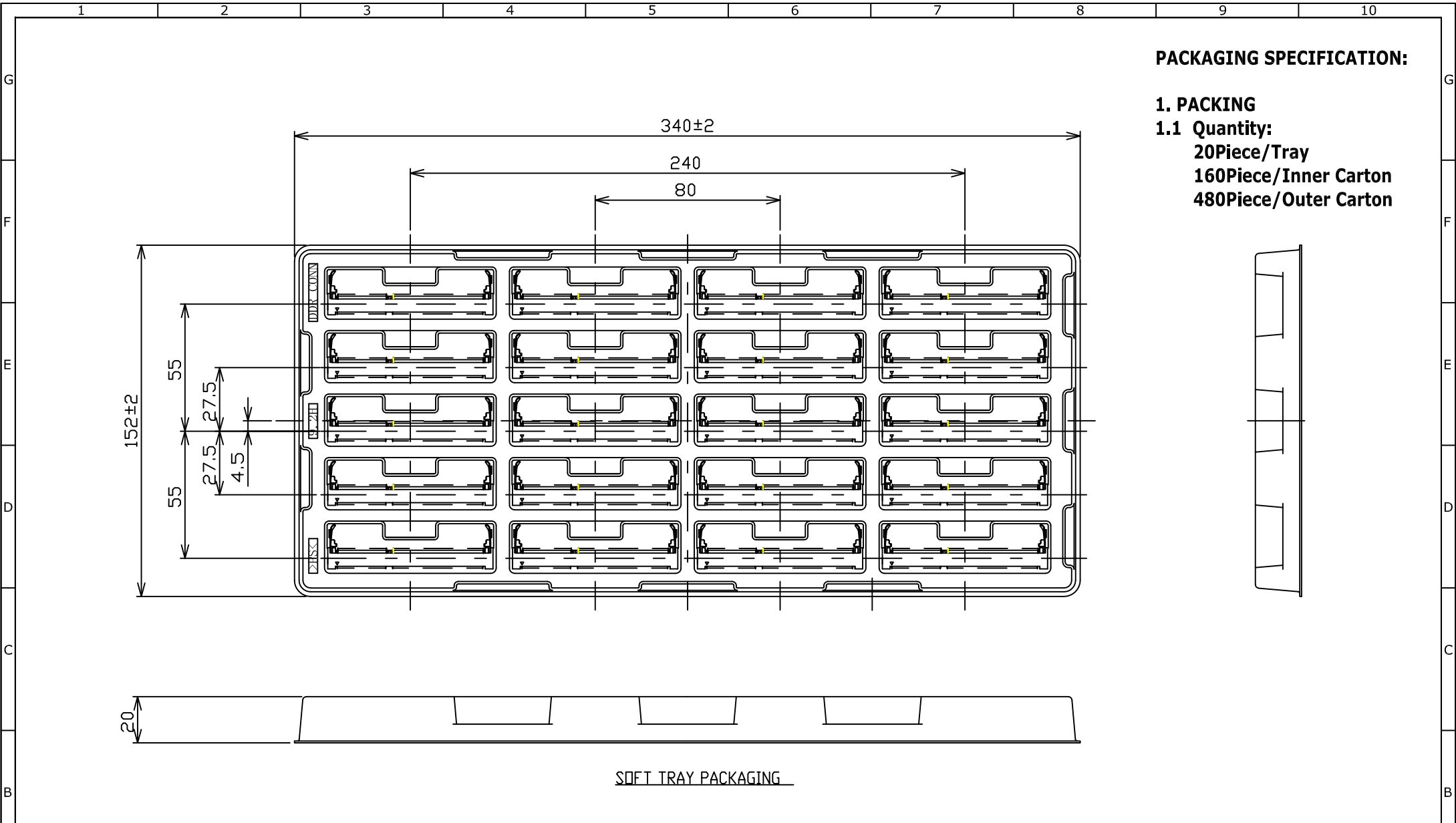
UNLESS OTHERWISE SPECIFIED TOLERANCE		
ANGLES	ANG.	±5°
LINEAR	0.	±0.3
	0.0	±0.25
	0.00	±0.20
SCALE	AS SHOWN	UNIT: mm
DRAWN	Willis	2012/12/05
CHECKED	Angel	2012/12/05
APPROVED	Ken	2012/12/05



www.attend.com.tw

REV.	DESCRIPTION	DATE	REV.	DESCRIPTION	DATE
1					
2					
3					
4					
5					
6					
7					

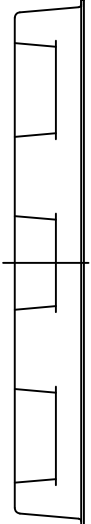
DRAWN NAME:		SO DIMM DDR3 Socket 1.5V 204Pin 9.2H Type	
PRODUCT NO.	122A-92A00		
FILE NAME	122A-92A00_B_1		



PACKAGING SPECIFICATION:

1. PACKING

- 1.1 Quantity:**
- 20Piece/Tray**
- 160Piece/Inner Carton**
- 480Piece/Outer Carton**



SOFT TRAY PACKAGING

						UNLESS OTHERWISE SPECIFIED TOLERANCE			 www.attend.com.tw	
						ANGLES	ANG.	±5°		
						LINEAR	0.	±0.3		
							0.00	±0.25		
						SCALE	AS SHOWN	UNIT: mm	±0.20	
						DRAWN	Willis	2012/12/05	DRAWN NAME:	
						CHECKED	Angel	2012/12/05	SO DIMM DDR3 Socket 1.5V 204Pin 9.2H Type	
						APPROVED	Ken	2012/12/05	PRODUCT NO.	122A-92A00
REV.	DESCRIPTION		DATE	REV.	DESCRIPTION		DATE	SIZE	REV.	FILE NAME
1				4				A4	1.0	122A-92A00_D_1

△ Revise:

△ Revise:

△ Revise:

△

△

△