

REV.	DESCRIPTION	DRAWN	DATE
1	INITIAL RELEASE	FROS	2015/09/03
2	ECR1900015	FROS	2019/08/15

**SPECIFICATION:**

**1. ELECTRICAL**

- 1.1 Current Rating: 1.5A per pin
- 1.2 Voltage Rating: 100V AC/DC
- 1.3 Contact Resistance: 40mΩ
- 1.4 Insulation Resistance: 1000MΩ
- 1.5 Dielectric Withstanding Voltage: 500VAC

**2. MECHANICAL**

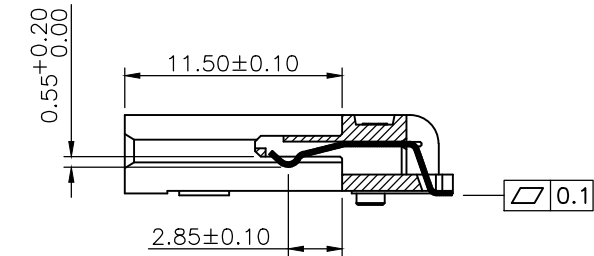
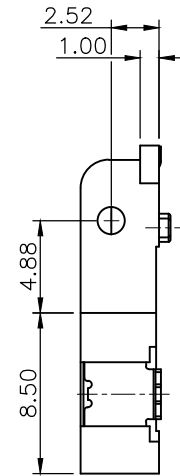
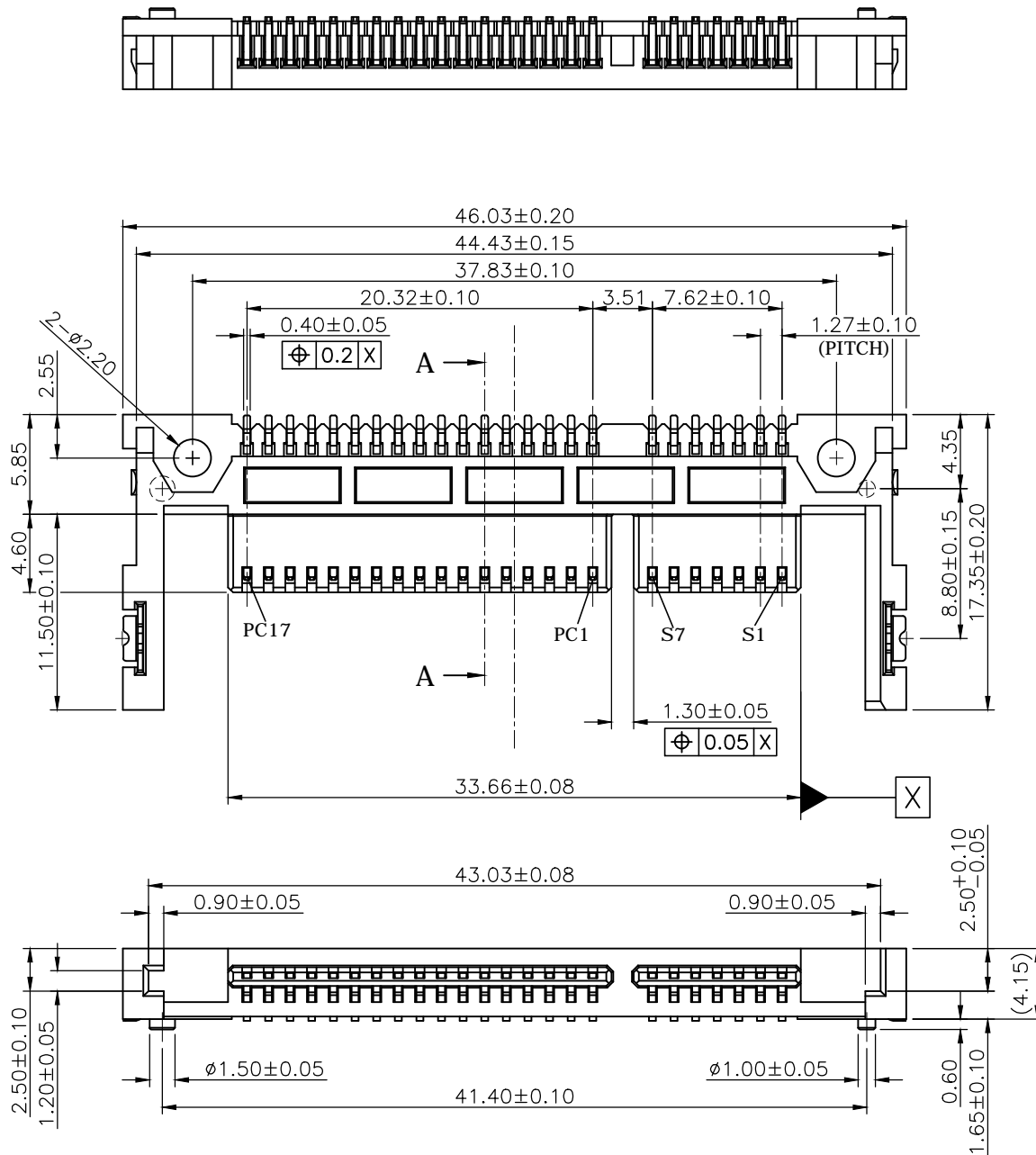
- 2.1 Durability: 10,000 Cycle
- 2.2 Mating Force: 24.5N max.
- 2.3 Unmating Force: 3.7N min.

**3. ENVIRONMENTAL**


- 3.1 Operating temperature range: -40°C~+85°C
- 3.2 Storage temperature range: -40°C~+85°C

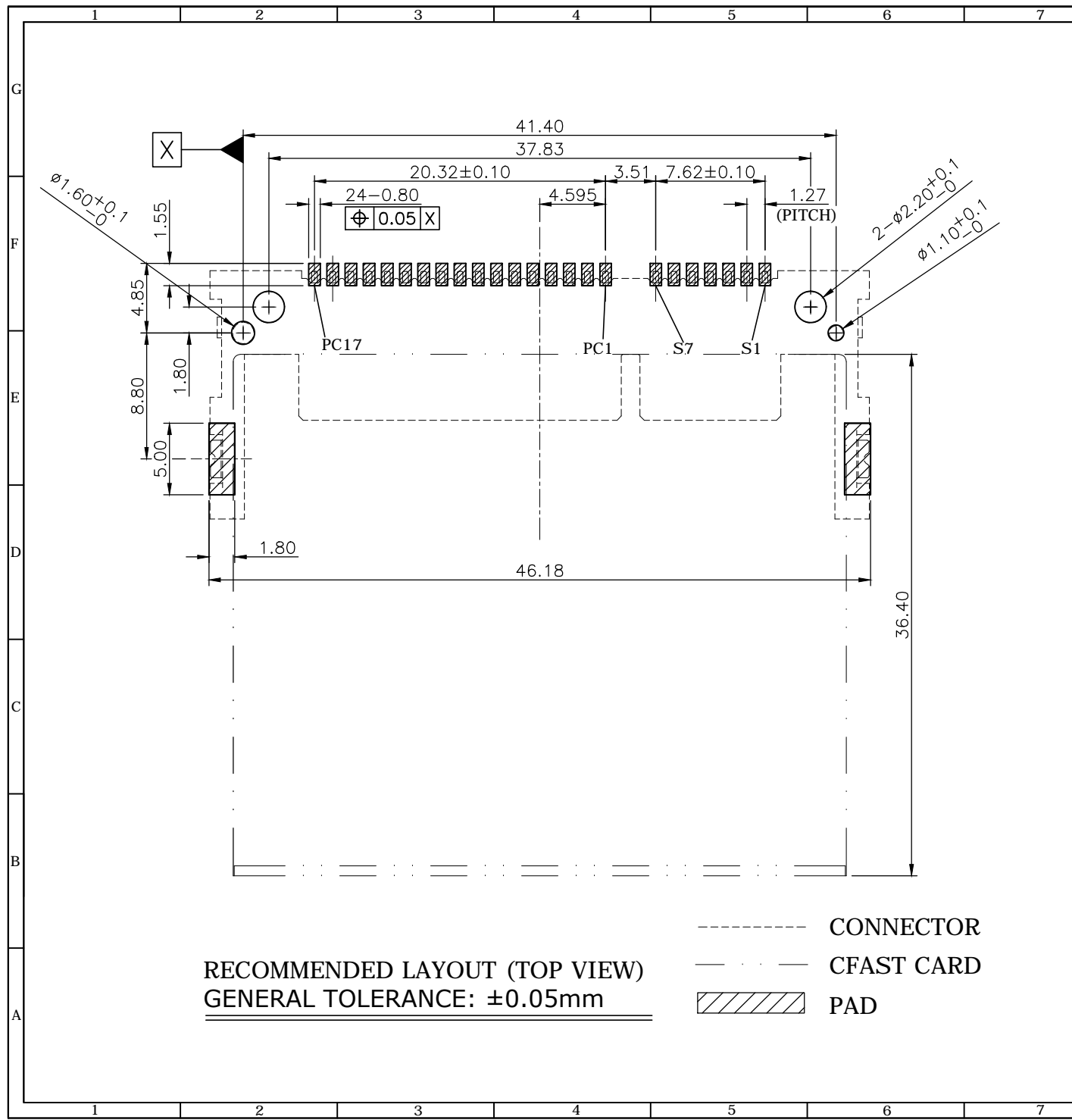
**4. SOLDER ABILITY**

- 4.1 Recommended IR Reflow (Wave Soldering) Temperature: 260°C 10sec



**SECTION A-A**

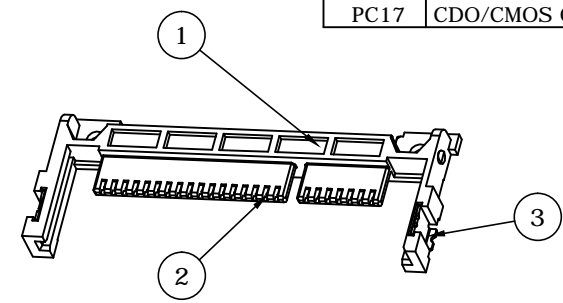
UNLESS OTHERWISE SPECIFIED TOLERANCE					
UNIT:	DECIMAL	LINEAR	ANGLES		
mm	X.	±0.50	±5°	WWW.ATTEND.COM.TW	
	X.X	±0.25	±3°		
	X.XX	±0.12	±1°		
DRAWN	Fros	2015/09/03	DRAWN NAME:		
CHECKED	Zola	2015/09/03	CF-FAST Card Socket, Slim Type		
APPROVED	Ken	2015/09/03	Top mount, H=4.15mm, 5u" Gold		
SCALE	2.5/1	SHEET	1/3	SIZE	A4
PRODUCT NO.		120D-4C00		FILE NAME	
				120D-4C00_B_2	



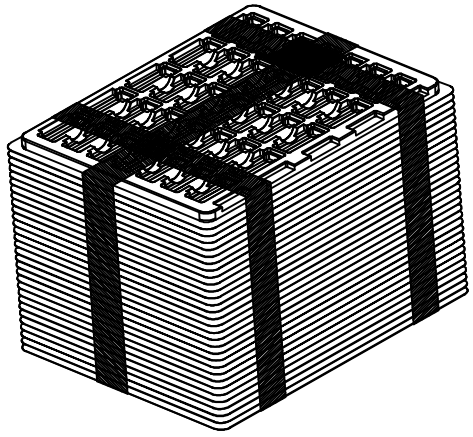
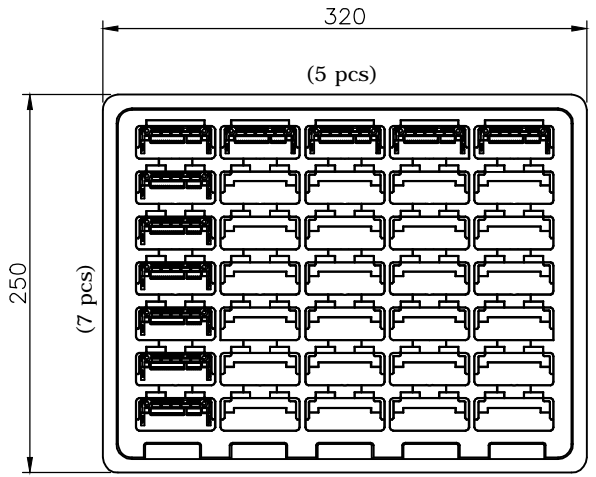
**RECOMMENDED LAYOUT (TOP VIEW)**  
**GENERAL TOLERANCE: ±0.05mm**

- CONNECTOR
- CFAST CARD
- ▨ PAD

REV.	DESCRIPTION	DRAWN	DATE
	see sheet one		
PIN ASSIGNMENTS			
PIN NO.	Name/ Type	PIN NO.	Name/ Type
S1	Signal GND	PC1	CDI/CMOS Input
S2	A+/SATA Differential	PC2	GND/Device GND
S3	A-/SATA Differential	PC3	TBD
S4	Signal GND	PC4	TBD
S5	B-/SATA Differential	PC5	TBD
S6	B+/SATA Differential	PC6	TBD
S7	Signal GND	PC7	GND/Device GND
		PC8	LED1/LED Output
		PC9	LED2/LED Output
		PC10	IO1/CMOS I/O
		PC11	IO2/CMOS I/O
		PC12	IO3/CMOS I/O
		PC13	PWR/3.3V
		PC14	PWR/3.3V
		PC15	PGND/Device GND
		PC16	PGND/Device GND
		PC17	CDO/CMOS Output
3	HOLD DOWN	C2680	
			Phosphor Bronze C5191, contact area: 5u"
2	CONTACT		Gold plated; solder area: 100u" Tin plated
			under plated: 40u" Nickel plated
1	HOUSING		LCP MG-350, UL94V-0, Black
NO.	PART NAME	DESCRIPTION	
UNLESS OTHERWISE SPECIFIED TOLERANCE			
UNIT:	DECIMAL	LINEAR	ANGLES
	X.	±0.50	±5°
	X.X	±0.25	±3°
	X.XX	±0.12	±1°
WWW.ATTEND.COM.TW			
DRAWN	Fros	2015/09/03	DRAWN NAME:
CHECKED	Zola	2015/09/03	CFAST Card Socket, Slim Type Top mount, H=4.15mm, 5u" Gold
APPROVED	Ken	2015/09/03	PRODUCT NO. 120D-4C00
SCALE	2.5/1	SHEET 2/3	FILE NAME 120D-4C00_B_2
		SIZE A4	

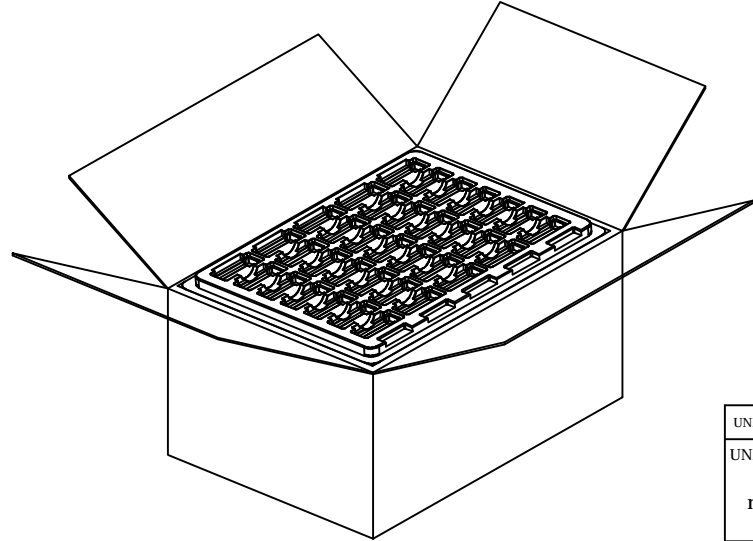
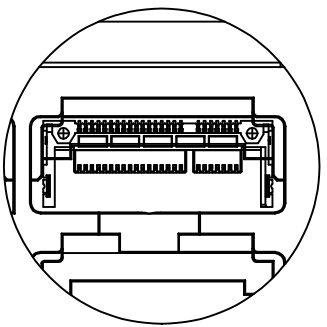
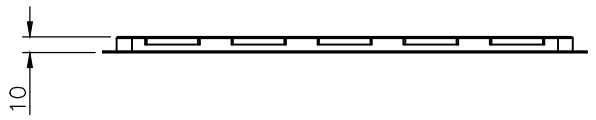


REV.	DESCRIPTION	DRAWN	DATE
	see sheet one		


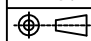


**△ PACKAGING SPECIFICATION:**

- Quantity:
- 7x5= 35 Piece/Tray
  - 29x35Piece= 1015Piece/Carton



**CARTON 335x265x220mm**

UNLESS OTHERWISE SPECIFIED TOLERANCE					
UNIT:	DECIMAL	LINEAR	ANGLES		
mm	X.	±0.50	±5°	WWW.ATTEND.COM.TW	
	X.X	±0.25	±3°		
	X.XX	±0.12	±1°		
DRAWN	Fros	2015/09/03	DRAWN NAME:		
CHECKED	Zola	2015/09/03	CFast Card Socket, Slim Type Top mount, H=4.15mm, 5u" Gold		
APPROVED	Ken	2015/09/03	PRODUCT NO.	120D-4C00	
	SCALE 1/5	SHEET 3/3	SIZE A4	FILE NAME	120D-4C00_B_2