

REV.	DESCRIPTION	DRAWN	DATE
3	REVISED DATECODE	FROS	2015/07/31
4	CORRECTED RATING	FROS	2018/05/30
5	ECR2000003	FROS	2020/04/16

**SPECIFICATION:**

1. ELECTRICAL
  - 1.1 Current Rating: 0.5A per pin
  - 1.2 Voltage Rating: 50V AC
  - 1.3 Contact Resistance: 55mΩ Max
  - 1.4 Insulation Resistance: 500MΩ Min
  - 1.5 Dielectric Withstanding Voltage: 300VAC
2. MECHANICAL
  - 2.1 Durability: 50 Cycles
  - 2.2 Total Mating/Unmating Force: 2.3Kgf max.
3. ENVIRONMENTAL
  - 3.1 Operating temperature range: -40°C ~ +85°C
  - 3.2 Storage temperature range: -40°C ~ +85°C
4. SOLDER ABILITY
  - 4.1 Recommended IR-Reflow Temperature: 260°C 10Sec

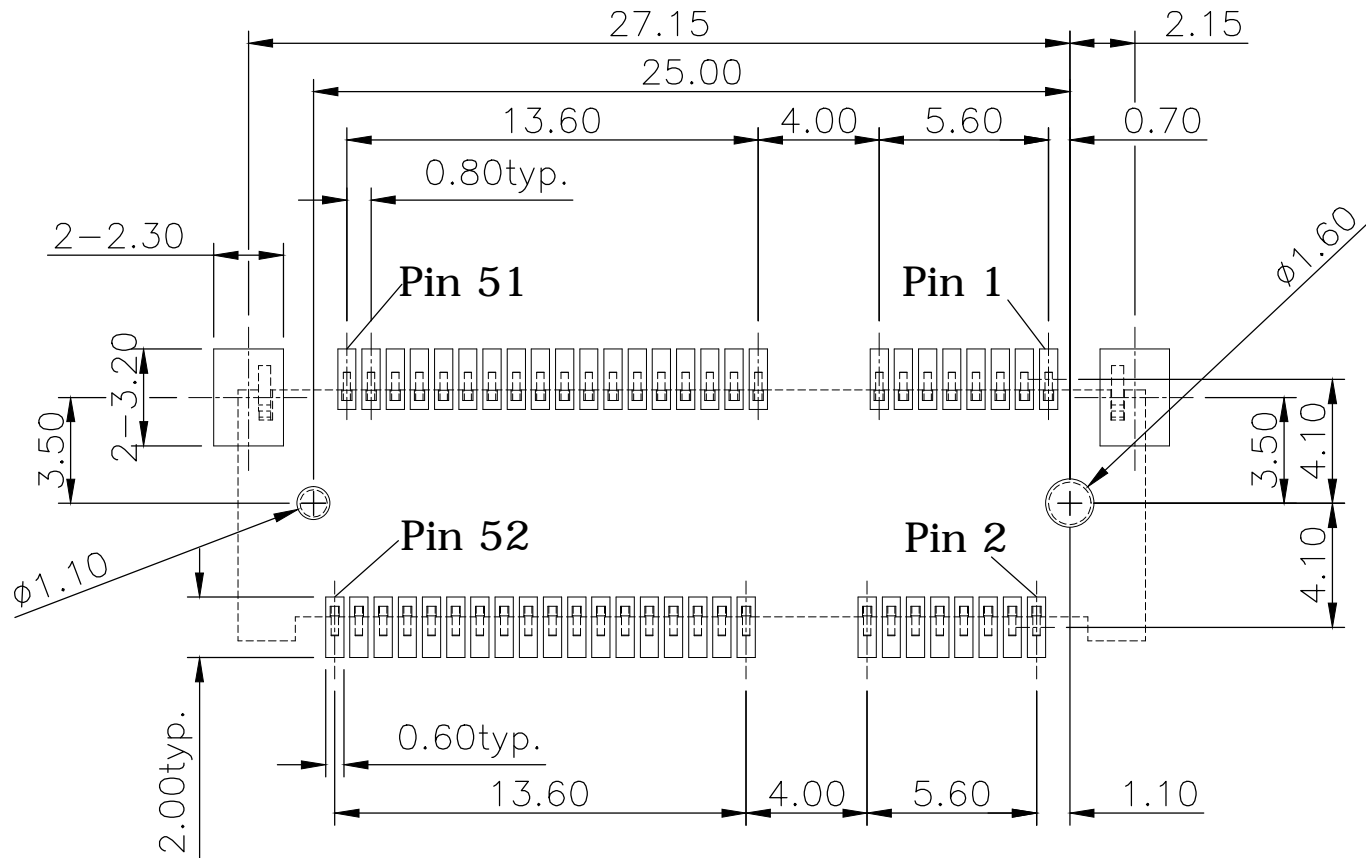
Date Code: Y WW D  
 Year      |      |      Day(1~7)  
                  |      |      Week(1~52)

3	HOLDDOWN	Brass, Matte-Tin plated under nickel plating	
2	CONTACT	Phosphor Bronze, contact area: G/F solder area: Matte-Tin, under plating Nickel	
1	HOUSING	LCP UL94V-0, Black	
NO. PART NAME		DESCRIPTION	
UNLESS OTHERWISE SPECIFIED TOLERANCE			
UNIT:	DECIMAL	LINEAR	ANGLES
mm	X.	±0.50	±5°
	X.X	±0.25	±3°
	X.XX	±0.12	±1°
DRAWN		Fros	2015/07/06
CHECKED		Zola	2015/07/06
APPROVED		Ken	2015/07/06
SCALE		2.5/1	SHEET 1/3
SIZE		A4	FILE NAME
DRAWN NAME:		Mini PCI Express Connector, H7.0mm	
PRODUCT NO.		119A-70A00-R02	
FILE NAME		119A-70A00-R02_B_5	


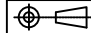


WWW.ATTEND.COM.TW

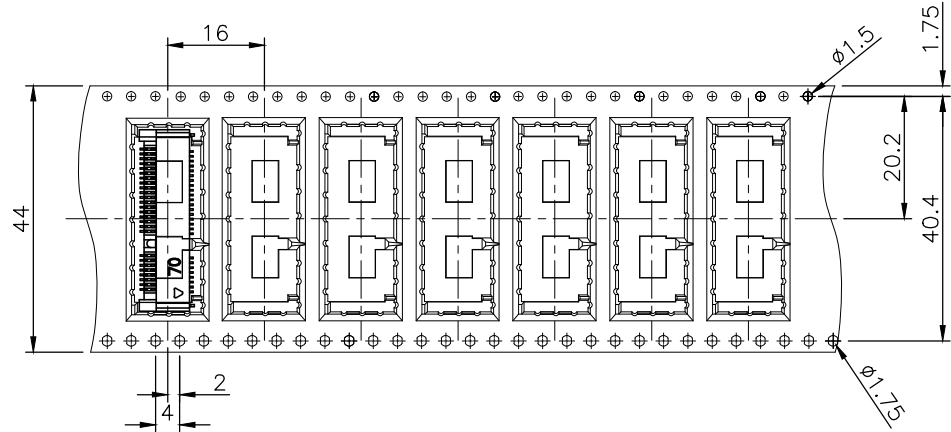
REV.	DESCRIPTION	DRAWN	DATE
	SEE SHEET ONE		



**RECOMMEND LAYOUT (TOP VIEW)**  
**GENERAL TOLERANCE:  $\pm 0.05$**

UNLESS OTHERWISE SPECIFIED TOLERANCE				 WWW.ATTEND.COM.TW	
UNIT:	DECIMAL	LINEAR	ANGLES		
mm	X.	$\pm 0.50$	$\pm 5^\circ$		
	X.X	$\pm 0.25$	$\pm 3^\circ$		
	X.XX	$\pm 0.12$	$\pm 1^\circ$		
DRAWN	Fros	2015/07/06	DRAWN NAME:		
CHECKED	Zola	2015/07/06	Mini PCI Express Connector, H7.0mm		
APPROVED	Ken	2015/07/06	PRODUCT NO.	119A-70A00-R02	
	SCALE	SHEET	SIZE	FILE NAME	
	4/1	2/3	A4	119A-70A00-R02_B_5	

REV.	DESCRIPTION	DRAWN	DATE
	SEE SHEET ONE		



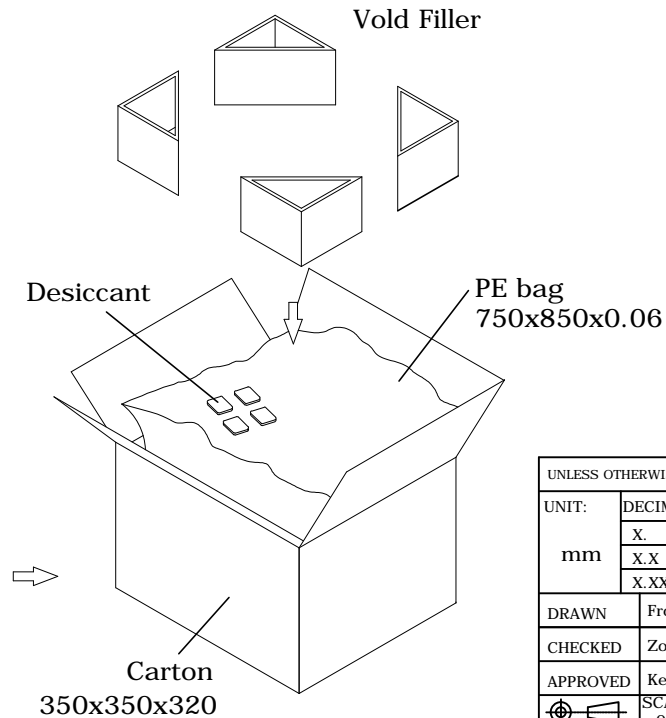
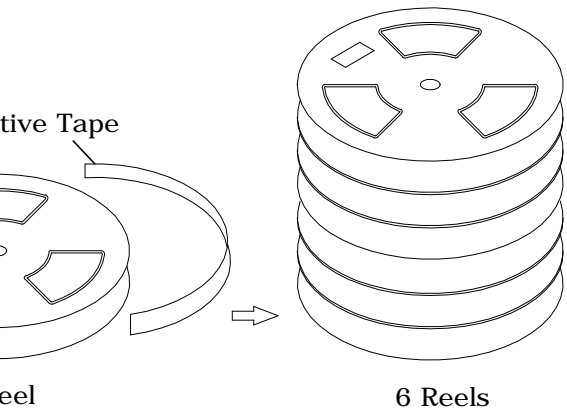
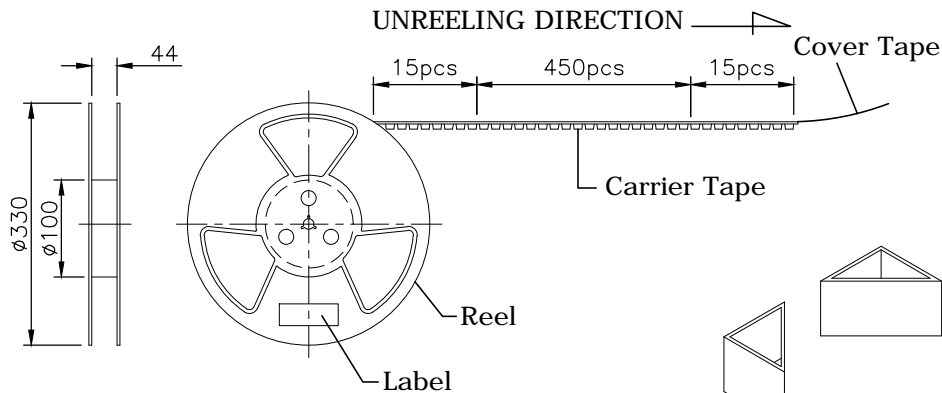
**PACKAGING SPECIFICATION:**

**1. MATERIAL**

- 1.1 Embossed Carrier Tape: PS Black
- 1.2 Top Cover Tape: PET  
20-80g (Peel Speed 300mm/Minute)
- 1.3 Taping Reel: Plastic

**2. PACKING**

- 2.1 Quantity:
  - 450 Piece/Reel
  - 6 Reel/ Carton
  - 2,700 Piece/ Carton



UNLESS OTHERWISE SPECIFIED TOLERANCE					
UNIT:	DECIMAL	LINEAR	ANGLES		
mm	X.	±0.50	±5°		
	X.X	±0.25	±3°		
	X.XX	±0.12	±1°		
DRAWN	Fros	2015/07/06	DRAWN NAME: Mini PCI Express Connector, H7.0mm		
CHECKED	Zola	2015/07/06			
APPROVED	Ken	2015/07/06			
SCALE	0.8/1	SHEET	3/3	PRODUCT NO.	119A-70A00-R02
		SIZE	A4	FILE NAME	119A-70A00-R02_B_5



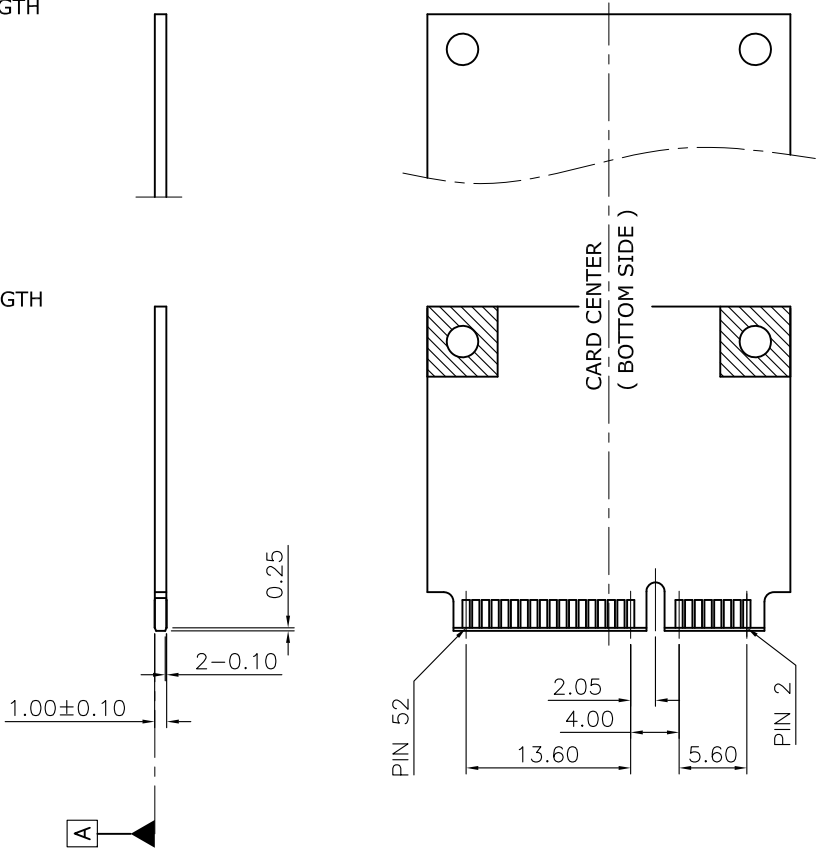
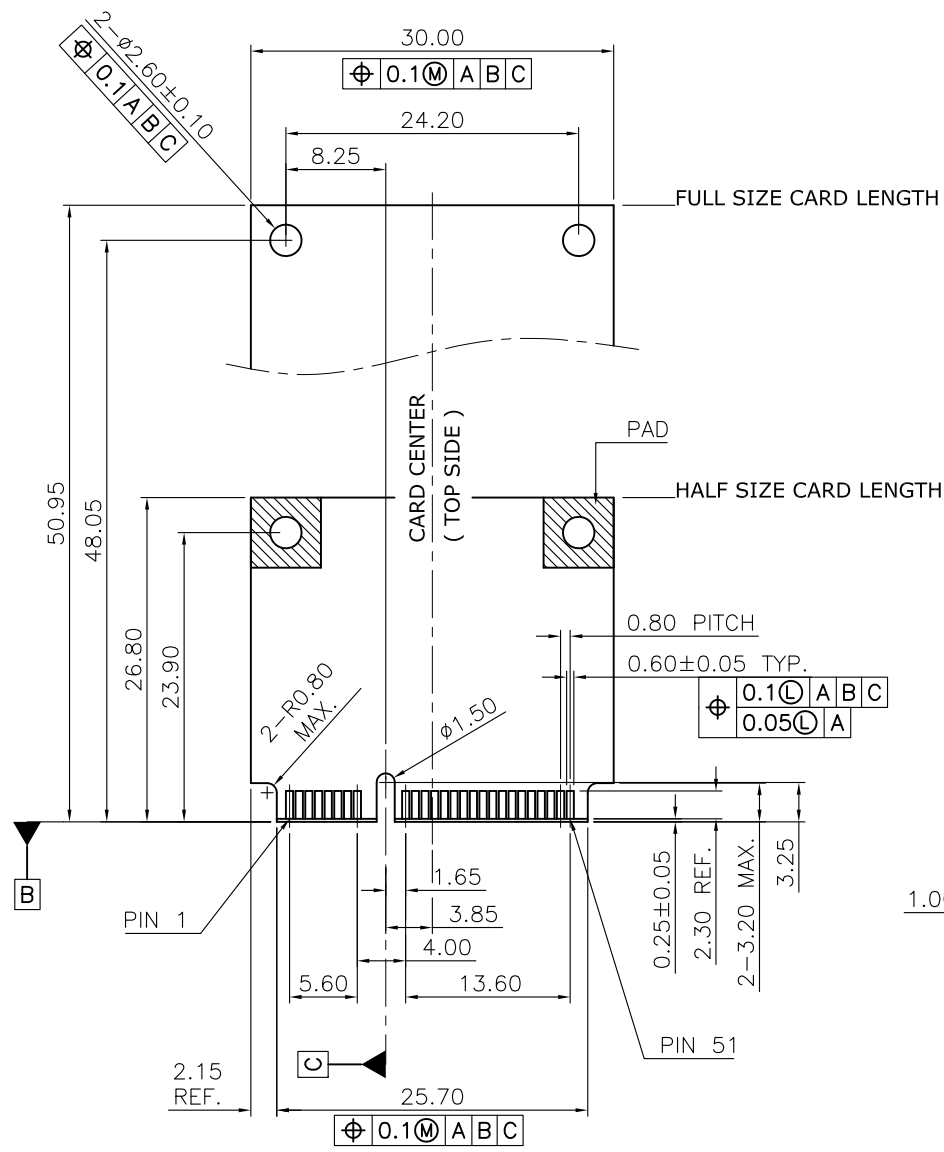
WWW.ATTEND.COM.TW


G  
F  
E  
D  
C  
B  
A

G  
F  
E  
D  
C  
B  
A

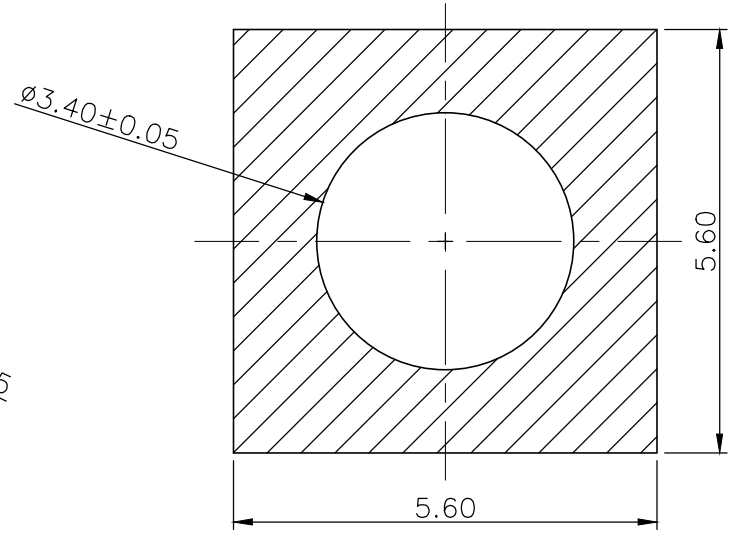
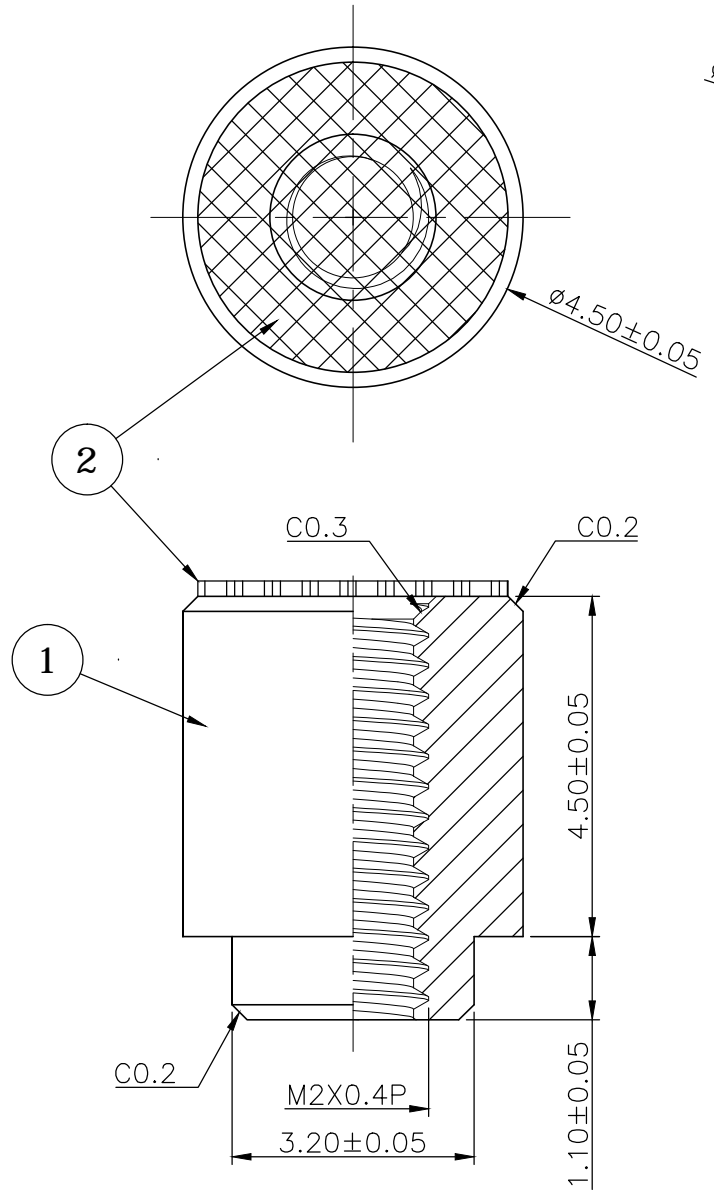
1 2 3 4 5 6 7 8 9 10

REV.	DESCRIPTION	DRAWN	DATE
1	Initial Release	FROS	2014/12/03



UNLESS OTHERWISE SPECIFIED TOLERANCE					
UNIT:	DECIMAL	LINEAR	ANGLES		
mm	X.	±0.50	±5°	WWW.ATTEND.COM.TW	
	X.X	±0.25	±3°		
	X.XX	±0.12	±1°		
DRAWN	Fros	2014/12/03	DRAWN NAME:		
CHECKED	Ron	2014/12/03	PHYSICAL DIMENSIONS OF		
APPROVED	Albert	2014/12/03	PCI EXPRESS MINI CARD		
SCALE	1.6/1	SHEET	1/1	SIZE	A4
PRODUCT NO.					
FILE NAME	119A-CARD_1				

REV.	DESCRIPTION	DRAWN	DATE
1	INITIAL RELEASE	FROS	2015/07/09



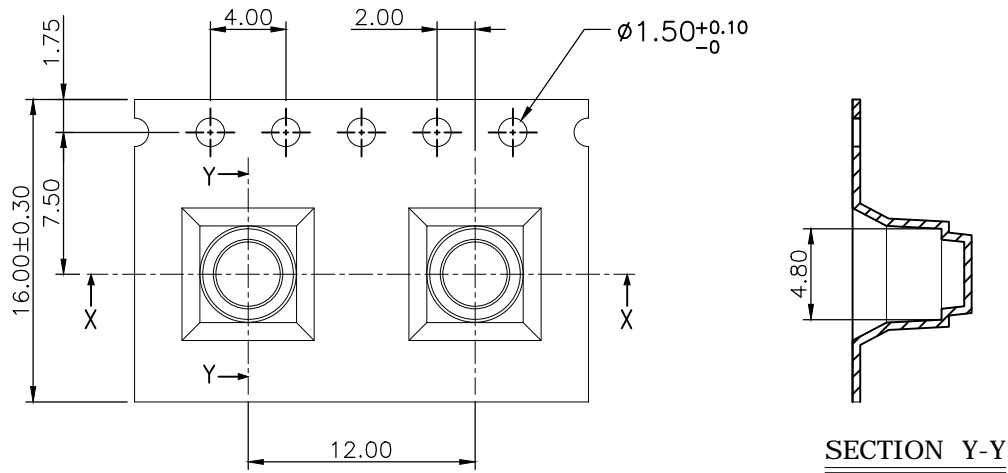
**RECOMMENDED PCB LAYOUT**

2	MYLAR								
1	NUT	Copper alloy, Tin plated							
NO.	PART NAME	DESCRIPTION							
UNLESS OTHERWISE SPECIFIED TOLERANCE									
UNIT:	DECIMAL	LINEAR	ANGLES						
mm	X.	±0.50	±5°						
	X.X	±0.25	±3°						
	X.XX	±0.12	±1°						
DRAWN			Fros	2015/07/09	DRAWN NAME: Mini PCI Express Stand Off				
CHECKED			Zola	2015/07/09					
APPROVED			Ken	2015/07/09	PRODUCT NO. 119A-NUT-70-R02				
SCALE			10/1	SHEET	1/2	SIZE	A4	FILE NAME	119A-NUT-70-R02_B_1



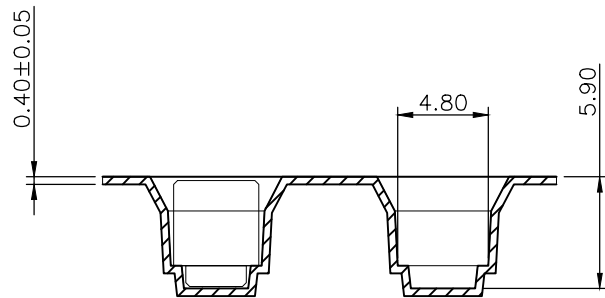
WWW.ATTEND.COM.TW

REV.	DESCRIPTION	DRAWN	DATE
	SEE SHEET ONE		




Note:

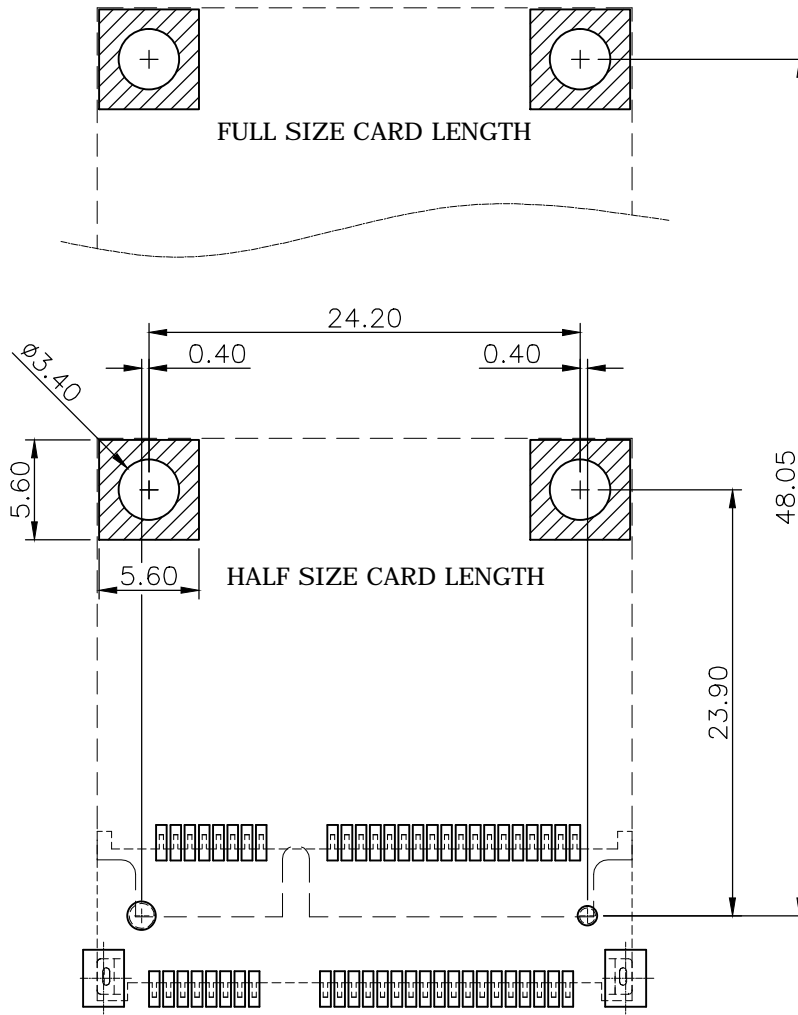
1. Part conforms to EIA-481-D standards
2. Material: Conductive polystyrene
3. Component packing to 13 inch reel, 900 pcs




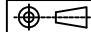
SECTION X-X

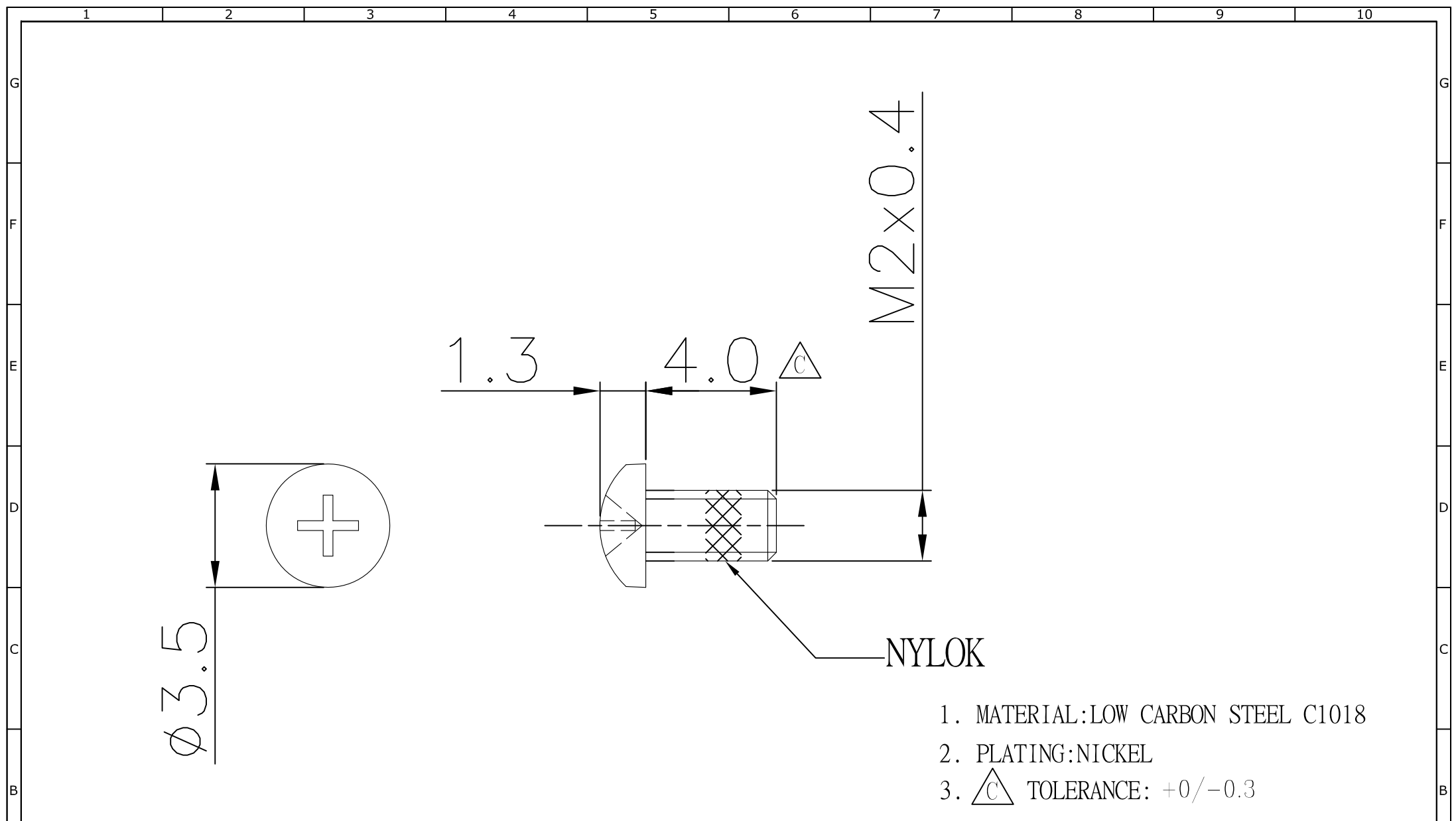
UNLESS OTHERWISE SPECIFIED TOLERANCE				 WWW.ATTEND.COM.TW			
UNIT:	DECIMAL	LINEAR	ANGLES			DRAWN: Fros 2015/07/09 CHECKED: Zola 2015/07/09 APPROVED: Ken 2015/07/09 DRAWN NAME: Mini PCI Express Stand Off PRODUCT NO. 119A-NUT-70-R02 FILE NAME 119A-NUT-70-R02_B_1	
mm	X.	±0.50	±5°				
	X.X	±0.25	±3°				
	X.XX	±0.12	±1°				
SCALE	2.5/1	SHEET	2/2	SIZE	A4		

REV.	DESCRIPTION	DRAWN	DATE
1	Initial Release	FROS	2020/04/16



RECOMMEND LAYOUT (TOP VIEW)  
GENERAL TOLERANCE: ±0.05

UNLESS OTHERWISE SPECIFIED TOLERANCE					
UNIT:	DECIMAL	LINEAR	ANGLES		
mm	X.	±0.50	±5°	WWW.ATTEND.COM.TW	
	X.X	±0.25	±3°		
	X.XX	±0.12	±1°		
DRAWN	Fros	2020/04/16	DRAWN NAME: Mini PCI Express Stand Off Layout		
CHECKED	Tim	2020/04/16	PRODUCT NO.		
APPROVED	Ken	2020/04/16	FILE NAME 119A-NUT-XX-R02_LAYOUT		
		SCALE 6.25	SHEET 1/1	SIZE A4	



1. MATERIAL: LOW CARBON STEEL C1018
2. PLATING: NICKEL
3.  $\triangle C$  TOLERANCE:  $+0/-0.3$

						<b>NOTES:</b>			UNLESS OTHERWISE SPECIFIED TOLERANCE			<b>ATTEND</b> <a href="http://www.attend.com.tw">www.attend.com.tw</a>		
									ANGLES	ANG.	$\pm 5^\circ$			
									LINEAR	0.	$\pm 0.3$			
										0.00	$\pm 0.25$	$\pm 0.20$		
									SCALE	AS SHOWN	UNIT: mm			
									DRAWN	Willis	2013/01/25	DRAWN NAME: Mini PCI Express M2 Nylok Screw		
									CHECKED	Angel	2013/01/25			
									APPROVED	Ken	2013/01/25	PRODUCT NO. 119A-Screw-R02 FILE NAME 119A-Screw-R02_B_2		
									REV.	1.0	SIZE A4			
REV.	DESCRIPTION		DATE	REV.	DESCRIPTION		DATE			SIZE A4	REV. 1.0			
1				4										
2				5										
3				6										
4				7										
5				8										
6				9										
7				10										