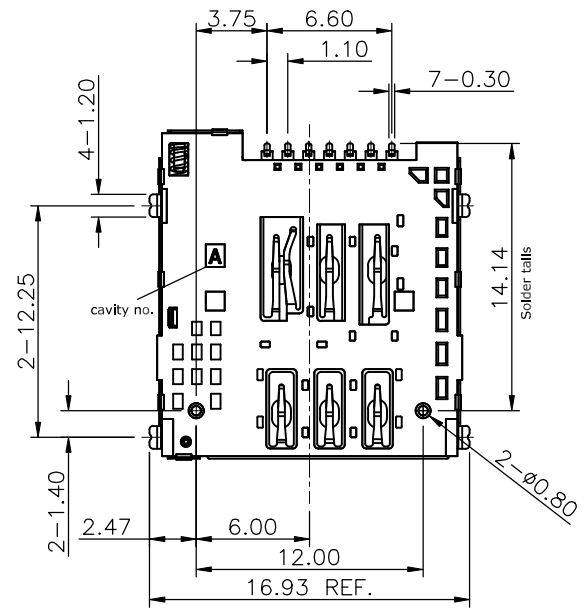
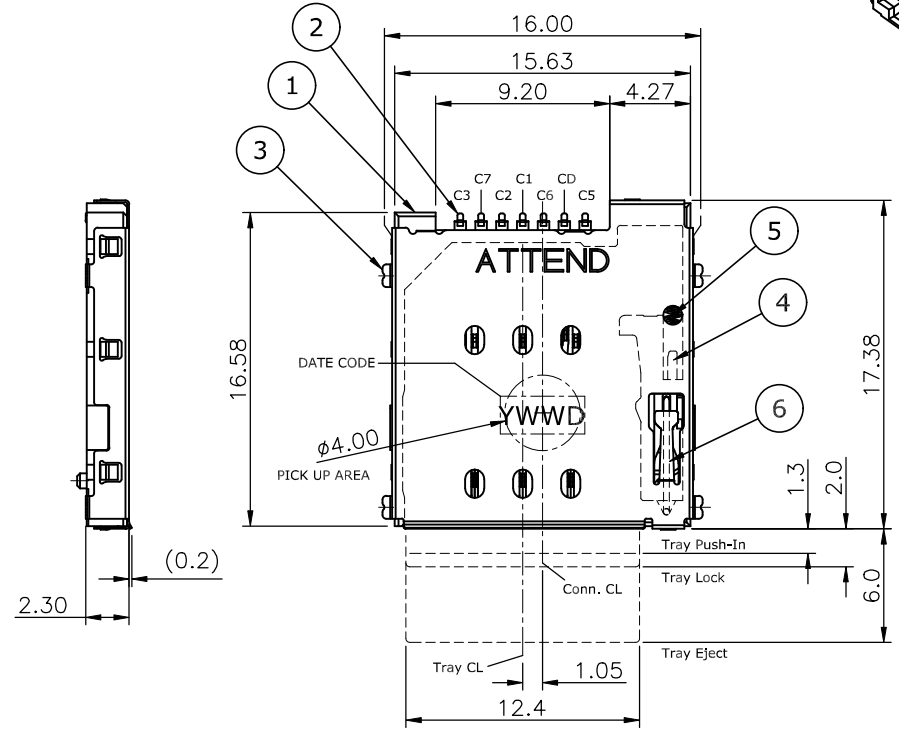
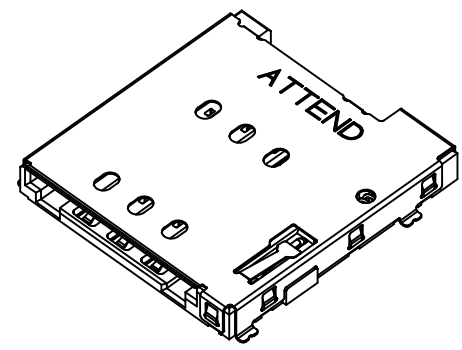



REV.	DESCRIPTION	DRAWN	DATE
2	ECR2100014	FROS	2021/06/29
3	ECR2200004	FROS	2022/04/18
4	ECR250310002	FROS	2025/03/10

DATE CODE: (YWWDD)
 Y=YEAR(2=2022)
 WW=WEEK(01-52)
 D=DAY(1-7)



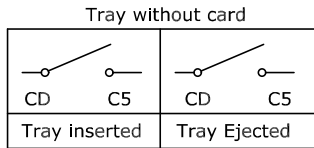
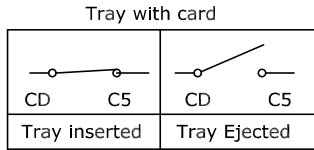
△ improved design of housing bottom

UNLESS OTHERWISE SPECIFIED TOLERANCE					
UNIT:	DECIMAL	LINEAR	ANGLES		
mm	X.	±0.50	±5°	www.attend.com.tw	
	X.X	±0.25	±3°		
	X.XX	±0.12	±1°		
DRAWN	Fros	2020/04/06	DRAWN NAME:		
CHECKED	Tim	2020/04/06	Nano SIM Socket, 6 Pin, Tray-Push Push, G/F, Reel		
APPROVED	Ken	2020/04/06	PRODUCT NO.	115U-A101	
SCALE	2.5/1	SHEET	1/4	SIZE	A4
			FILE NAME	115U-A101_B_3	

REV.	DESCRIPTION	DRAWN	DATE

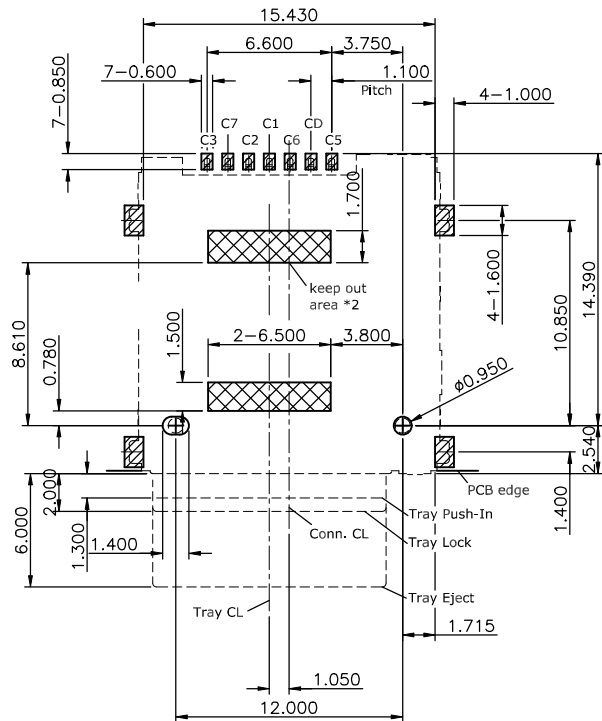
Pin out & Card detect switch status.

Pin NO.	Pin Name
C 1	VCC
C 2	RST
C 3	CLK
C 5	GND
C 6	VPP
C 7	I/O
CD	Card Detect Switch

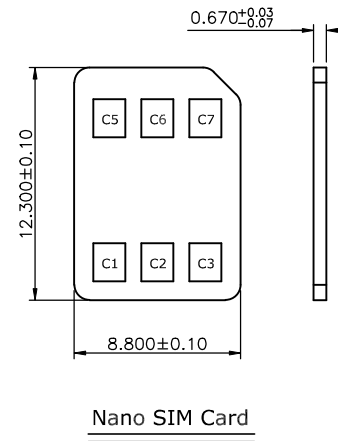


SPECIFICATION:

- ELECTRICAL**
 - Current Rating: 0.5A per pin
 - Voltage Rating: 10V DC
 - Contact Resistance: Initial 50mΩ, after 100mΩ Max.
 - Insulation Resistance: 1000MΩ
 - Dielectric Withstanding Voltage: 500VAC
- MECHANICAL**
 - Durability: 5,000 cycles
 - Contact Normal Force: 0.3N Min. per pin
 - Tray Withdrawal Force: 2N Min.
- ENVIRONMENTAL**
 - Operating temperature range: -40°C~+105°C
 - Storage temperature range: -40°C~+105°C
- SOLDER ABILITY**
 - Recommended IR-Reflow Temperature: 260°C



Recommended PCB layout (top view)
General tolerance: ±0.05mm



6	CRANK	Stainless Steel
5	SPRING	SWP-B, Nickel plating
4	SLIDER	LCP, UL94V-0, Black
3	SHELL	Stainless Steel, Nickel plating
2	CONTACT	Phosphor Bronze, Gold plating over Nickel
1	HOUSING	LCP, UL94V-0, Black

NO.	PART NAME	DESCRIPTION		
UNLESS OTHERWISE SPECIFIED TOLERANCE				
UNIT:	DECIMAL	LINEAR	ANGLES	
	mm	X.	±0.50	±5°
		X.X	±0.25	±3°
		X.XX	±0.12	±1°
DRAWN: Fros 2020/04/06				
DRAWN NAME: Nano SIM Socket, 6 Pin, Tray-Push Push, G/F, Reel				
CHECKED: Tim 2020/04/06				
APPROVED: Ken 2020/04/06				
SCALE: 2.5/1		SHEET: 2/4	SIZE: A4	
FILE NAME: 115U-A101_B_3		PRODUCT NO. 115U-A101		

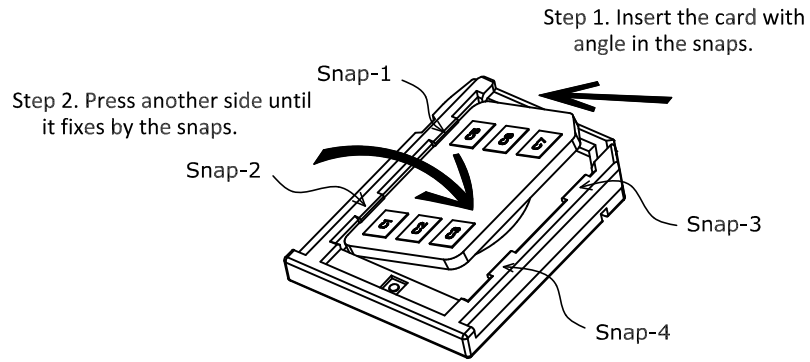


www.attend.com.tw

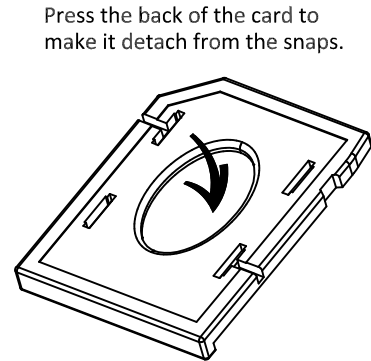
REV.	DESCRIPTION	DRAWN	DATE
------	-------------	-------	------

Instruction Manual

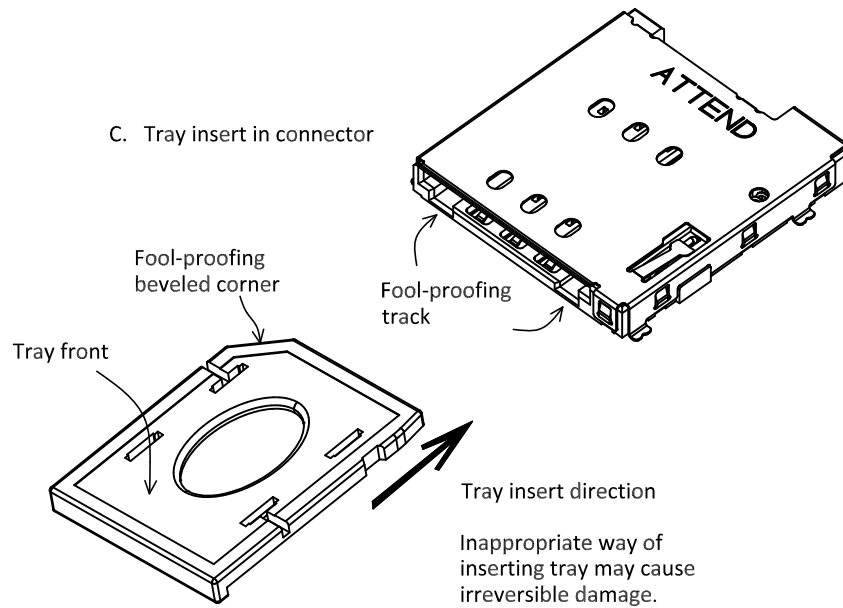
A. Set up Nano SIM card


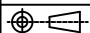


B. Remove Nano SIM card



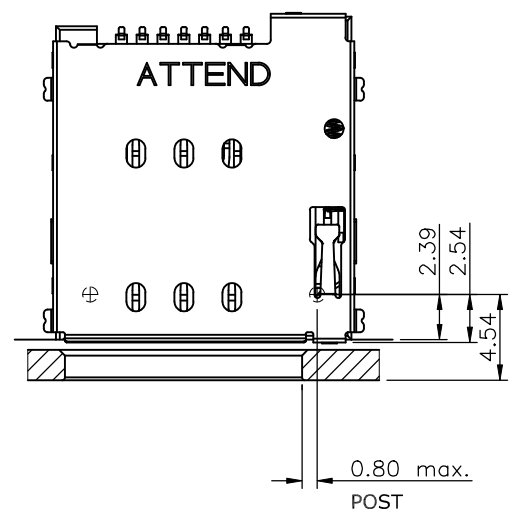
C. Tray insert in connector



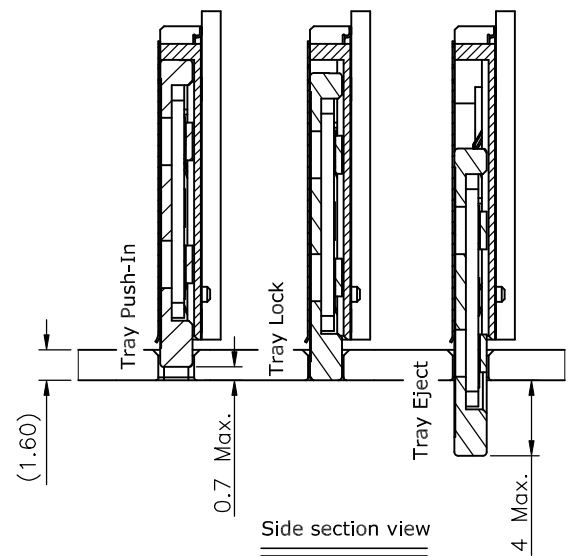
UNLESS OTHERWISE SPECIFIED TOLERANCE					
UNIT:	DECIMAL	LINEAR	ANGLES		
mm	X.	±0.50	±5°	www.attend.com.tw	
	X.X	±0.25	±3°		
	X.XX	±0.12	±1°		
DRAWN	Fros	2020/04/06	DRAWN NAME:		
CHECKED	Tim	2020/04/06	Nano SIM Socket, 6 Pin, Tray-Push Push, G/F, Reel		
APPROVED	Ken	2020/04/06	PRODUCT NO.	115U-A101	
	SCALE	SHEET	SIZE	FILE NAME	
	2.5/1	3/4	A4	115U-A101_B_3	

REV.	DESCRIPTION	DRAWN	DATE

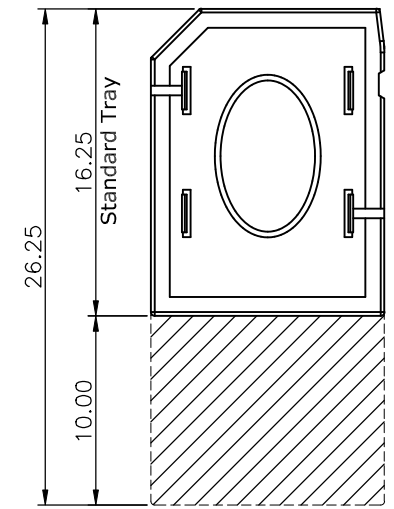
Instruction Manual



Top view



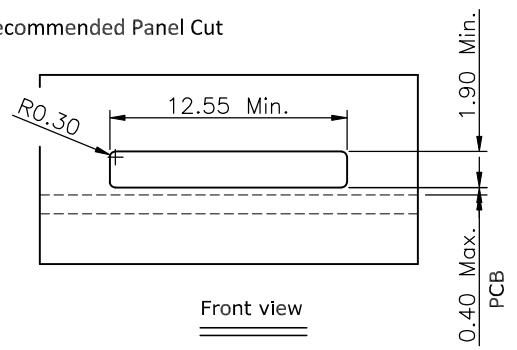
Side section view




Tray options

Tray P/N	DESCRIPTION
115U-T001	For Nano SIM, Standard L=16.25
115U-T007	For Nano SIM, Standard L=16.25
115U-T008	For Nano SIM, Extended 2mm L=18.25

Recommended Panel Cut



Front view

UNLESS OTHERWISE SPECIFIED TOLERANCE					
UNIT:	DECIMAL	LINEAR	ANGLES		
mm	X.	±0.50	±5°	www.attend.com.tw	
	X.X	±0.25	±3°		
	X.XX	±0.12	±1°		
DRAWN	Fros	2020/04/06	DRAWN NAME:		
CHECKED	Tim	2020/04/06	Nano SIM Socket, 6 Pin, Tray-Push Push, G/F, Reel		
APPROVED	Ken	2020/04/06	PRODUCT NO.	115U-A101	
SCALE 2.5/1		SHEET 4/4	SIZE A4	FILE NAME	115U-A101_B_3