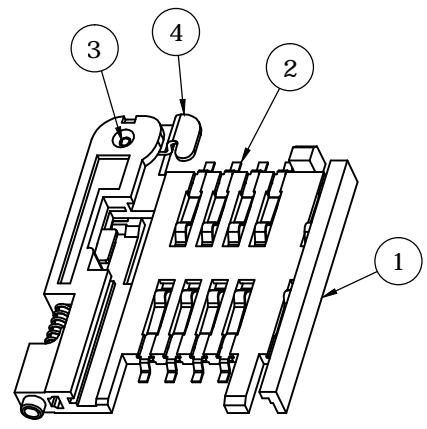
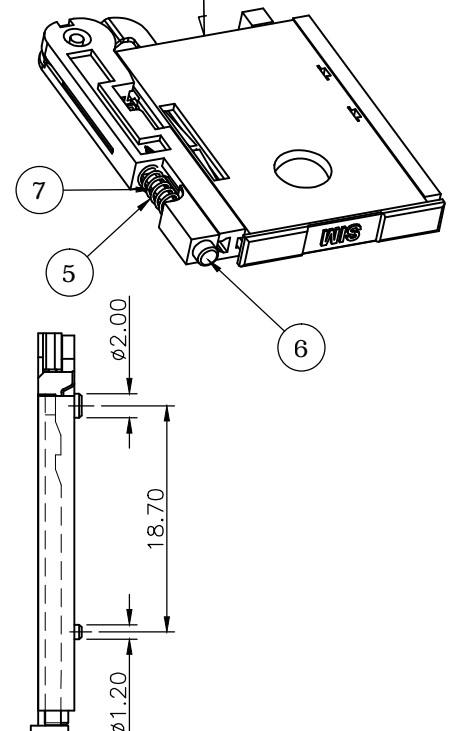


115T-XAB1 stands for connector only.
It's need to used with SIM card tray
(P/N: 115-00004)



REV.	DESCRIPTION	DRAWN	DATE
2	ECR2000012	FROS	2020/08/24
3	ECR2100010	FROS	2021/04/01
4	ECR2300008	FROS	2023/11/02

SPECIFICATION:

1. ELECTRICAL
 - 1.1 Current Rating: 1A Max, 10u A Min.
 - 1.2 Voltage Rating: 50V Max
 - 1.3 Contact Resistance: 50mΩ
 - 1.4 Insulation Resistance: 1,000MΩ / 500V DC
 - 1.5 Dielectric Withstanding Voltage: 500V AC at 1 minute
2. MECHANICAL
 - 2.1 Durability: 5,000 Cycle Min.
 - 2.2 Press Force: 0.5N
3. ENVIRONMENTAL
 - 3.1 Operating temperature range: -40°C~+85°C
 - 3.2 Storage temperature range: -40°C~+85°C
4. SOLDER ABILITY
 - 4.1 Recommended IR-Reflow Temperature: 260°C 10Sec

How to order

115T - X A B 1

Pin count

P/N	115T - A A B 1	6 PIN
	115T - B A B 1	8 PIN

7	Link	Stainless Steel
6	Knob	LCP, UL94V-0, Yellow
5	Spring	Stainless Steel
4	Hook	Stainless Steel
3	Rivet	Brass, nickel plating
2	Contact	Phosphor Bronze , Selected Gold Plating on contact area, Tin plating on solder tail, under plating nickel over all
1	Housing	LCP, UL94V-0, Black
NO.	PART NAME	DESCRIPTION

UNLESS OTHERWISE SPECIFIED TOLERANCE

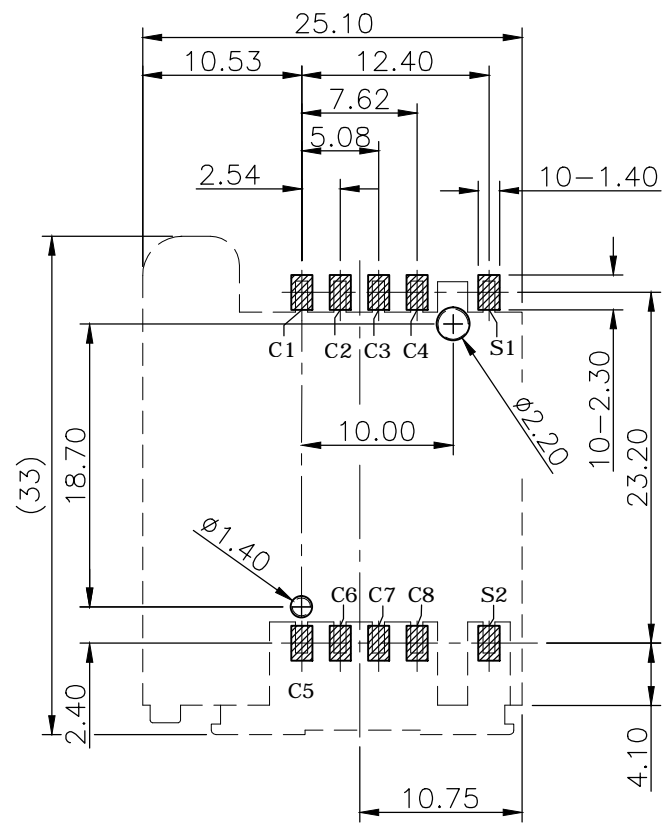
UNIT:	DECIMAL	LINEAR	ANGLES
mm	X.	±0.50	±5°
	X.X	±0.25	±3°
	X.XX	±0.12	±1°



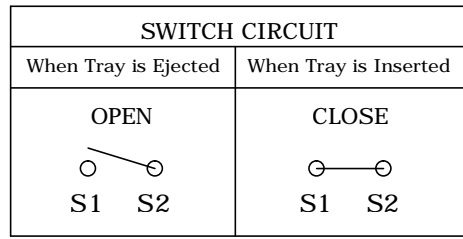
WWW.ATTEND.COM.TW

DRAWN	Fros	2020/06/16	DRAWN NAME:	SIM Card Socket,
CHECKED	Tim	2020/06/16		Bar Push w/Switch, w/post 1u", Reel
APPROVED	Ken	2020/06/16	PRODUCT NO.	see how to order
	SCALE 1.6/1	SHEET 1/2	SIZE A4	FILE NAME 115T-XAB1_B_4


REV.	DESCRIPTION	DRAWN	DATE
	SEE SHEET ONE		



RECOMMENDED LAYOUT (TOP VIEW)
GENERAL TOLERANCE: ±0.1mm



PIN OUT				
C1	C2	C3	C4	S1
Vcc	RST	CLK	RESERVE	CD
C5	C6	C7	C8	S2
GND	Vpp	I/O	RESERVE	SW

UNLESS OTHERWISE SPECIFIED TOLERANCE				 WWW.ATTEND.COM.TW	
UNIT:	DECIMAL	LINEAR	ANGLES		
mm	X.	±0.50	±5°		
	X.X	±0.25	±3°		
	X.XX	±0.12	±1°		
DRAWN	Fros	2020/06/16	DRAWN NAME:		
CHECKED	Tim	2020/06/16	SIM Card Socket, Bar Push w/Switch, w/post 1u", Reel		
APPROVED	Ken	2020/06/16	PRODUCT NO.	see how to order	
	SCALE	SHEET	SIZE	FILE NAME	
	2/1	2/2	A4	115T-XAB1_B_4	