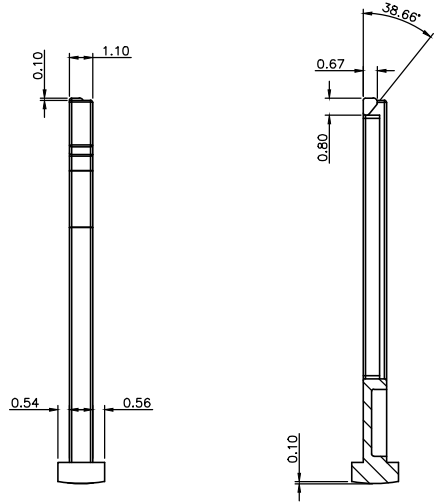
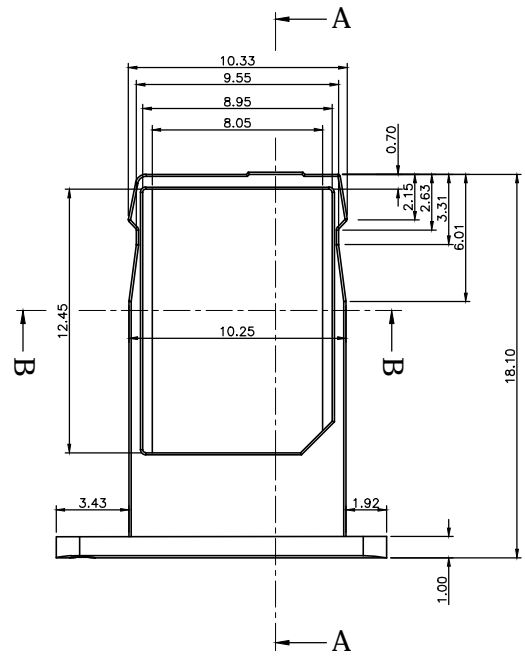
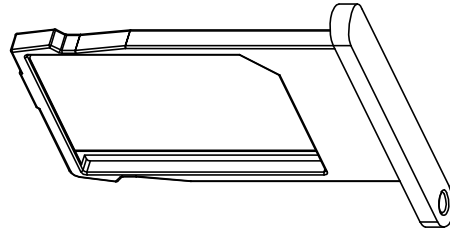
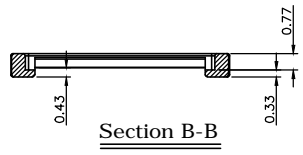
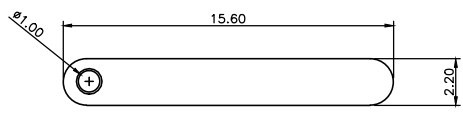
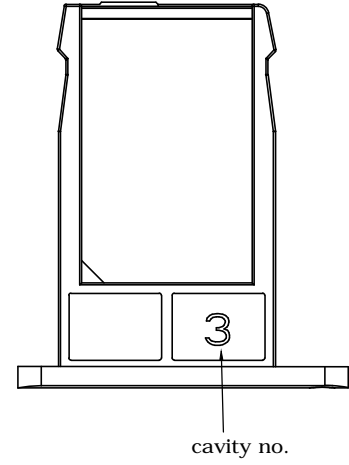



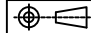
REV.	DESCRIPTION	DRAWN	DATE
1	INITIAL RELEASE	FROS	2018/08/06
2	Add page 2, packaging drawing	FROS	2018/08/15

- Note:
1. Material: Stainless Steel
 2. Color: Natural

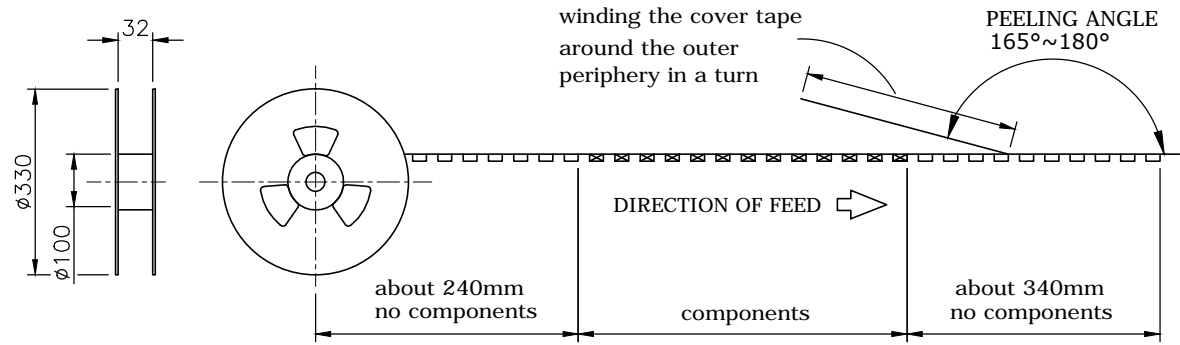


Section A-A



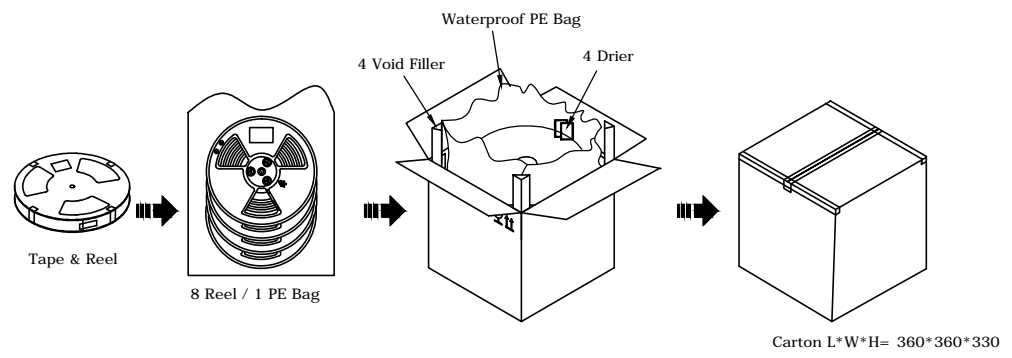
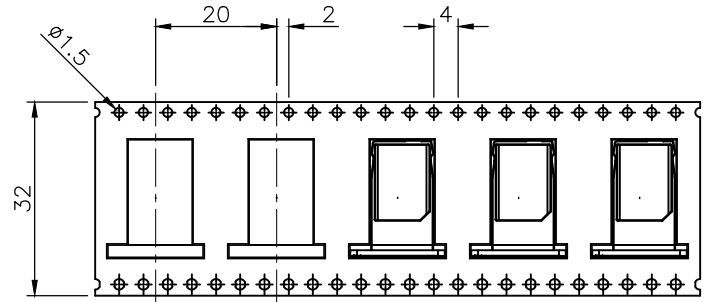
UNLESS OTHERWISE SPECIFIED TOLERANCE					
UNIT:	DECIMAL	LINEAR	ANGLES		
mm	X.	±0.50	±5°	WWW.ATTEND.COM.TW	
	X.X	±0.25	±3°		
	X.XX	±0.12	±1°		
DRAWN	Fros	2017/08/18	DRAWN NAME: Nano SIM Tray		
CHECKED	Tim	2017/08/18			
APPROVED	Ken	2017/08/18	PRODUCT NO.	115S-ACA2	
	SCALE 2.8	SHEET 1/2	SIZE A4	FILE NAME	115S-ACA2_B_2


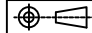
REV.	DESCRIPTION	DRAWN	DATE
	see sheet one		



PACKAGING SPECIFICATION:

1. MATERIAL
 - 1.1 Embossed Carrier Tape: PS, transparent
 - 1.2 Top Cover Tape: PET
20-80g(Peel Speed 300mm/Minute)
Peeling angle: 165° to 180°
 - 1.3 Taping Reel: Plastic
2. PACKING
 - 2.1 Quantity:
1,000Piece/ Reel
8 Reel (8,000Piece) / Carton



UNLESS OTHERWISE SPECIFIED TOLERANCE					
UNIT:	DECIMAL	LINEAR	ANGLES		
mm	X.	±0.50	±5°	DRAWN NAME: Nano SIM Tray	
	X.X	±0.25	±3°		
	X.XX	±0.12	±1°		
DRAWN	Fros	2018/08/15	DRAWN NAME: Nano SIM Tray		
CHECKED	Tim	2018/08/15	DRAWN NAME: Nano SIM Tray		
APPROVED	Ken	2018/08/15	PRODUCT NO.	115S-ACA2	
	SCALE N/A	SHEET 2/2	SIZE A4	FILE NAME	115S-ACA2_B_2