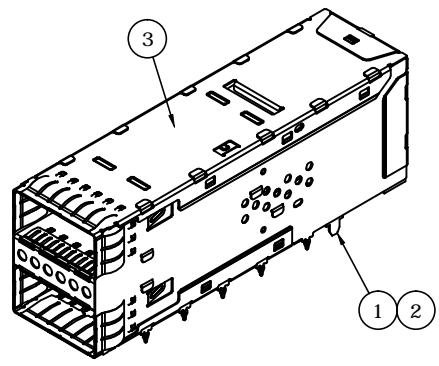
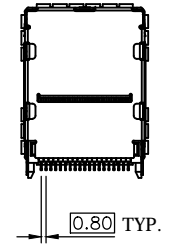
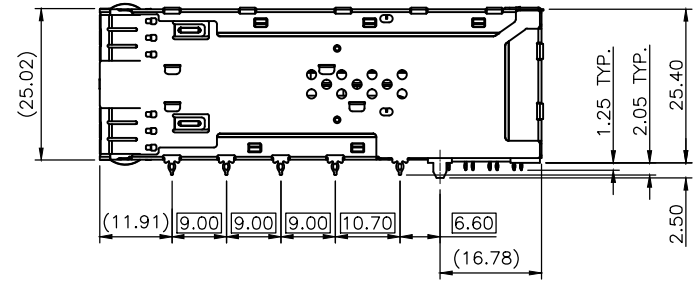
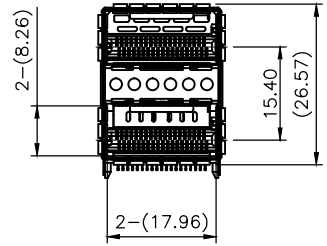
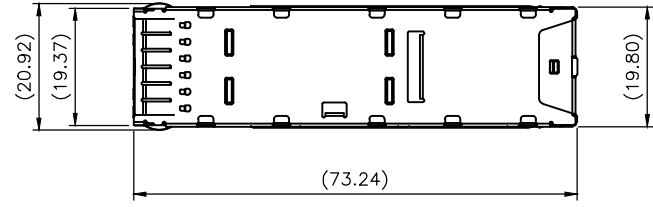


REV.	DESCRIPTION	DRAWN	DATE
1	INITIAL RELEASE	FROS	2016/09/12
2	ECR230207001	FROS	2023/02/07



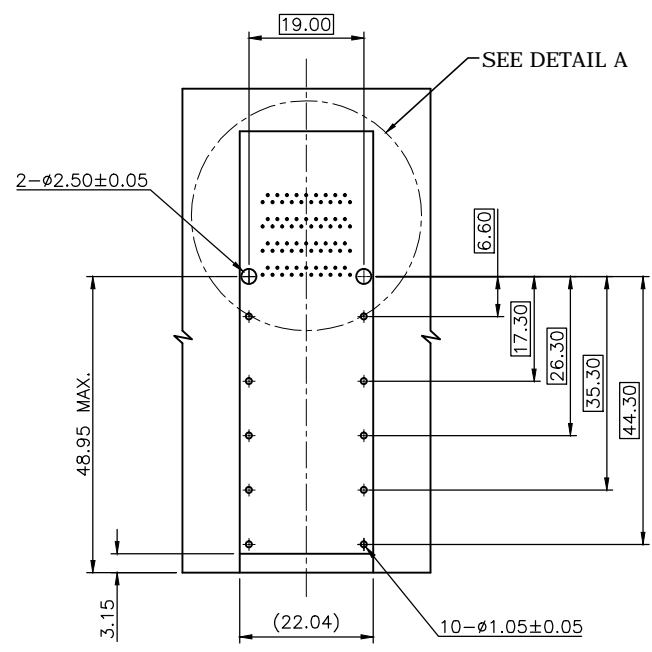
3	CAGE	Stainless Steel
2	CONTACT	Copper Alloy, Gold plating on contact area, Matte Tin plating on tail area, under Nickel plating
1	HOUSING	High Temperature Thermoplastic, UL94V-0, Black

NO.	PART NAME	DESCRIPTION	
UNLESS OTHERWISE SPECIFIED TOLERANCE			
UNIT:	DECIMAL	LINEAR	ANGLES
	mm	X. ±0.50	±5°
		X.X ±0.25	±3°
		X.XX ±0.12	±1°
DRAWN	Fros	2016/09/12	DRAWN NAME: QSFP Connector, 2x1 Port Press fit type cage with connector 30u"
CHECKED	Tim	2016/09/12	
APPROVED	Ken	2016/09/12	
SCALE	0.8	SHEET 1/2	
FILE NAME		223C-2103_B_2	

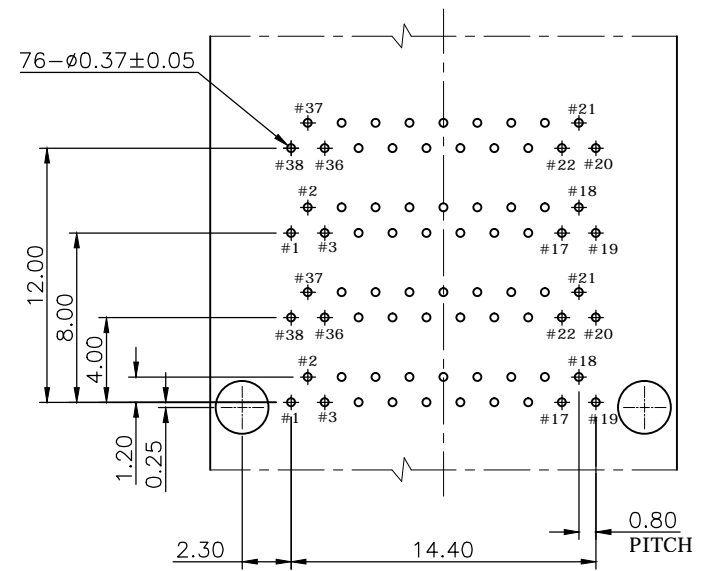


WWW.ATTEND.COM.TW

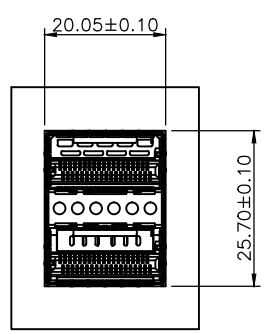
REV.	DESCRIPTION	DRAWN	DATE
	see sheet one		



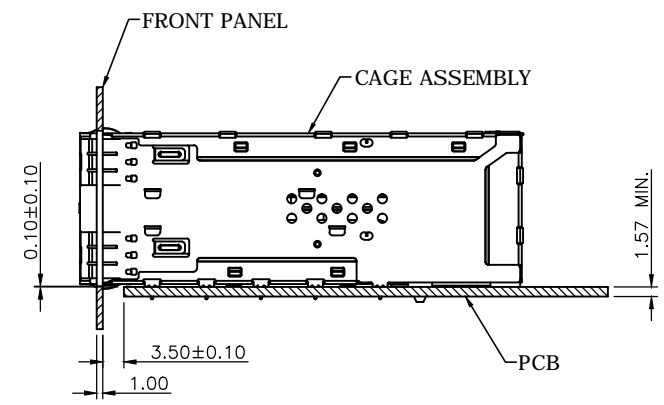
RECOMMENDED PCB LAYOUT (TOP VIEW)
 MINIMUM PCB THICKNESS OF 1.57mm
 GENERAL TOLERANCE: ±0.05





DETAIL A
 SCALE 2.8/1



RECOMMENDED PANEL CUTOUT



UNLESS OTHERWISE SPECIFIED TOLERANCE				 WWW.ATTEND.COM.TW
UNIT:	DECIMAL	LINEAR	ANGLES	
mm	X.	±0.50	±5°	
	X.X	±0.25	±3°	
	X.XX	±0.12	±1°	
DRAWN	Fros	2016/09/12	DRAWN NAME:	
CHECKED	Tim	2016/09/12	QSFPC Connector, 2x1 Port Press fit type cage with connector 30u"	
APPROVED	Ken	2016/09/12	PRODUCT NO. 223C-2103	
	SCALE 0.8	SHEET 2/2	SIZE A4	FILE NAME 223C-2103_B_2