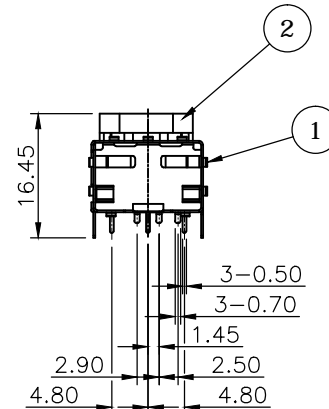
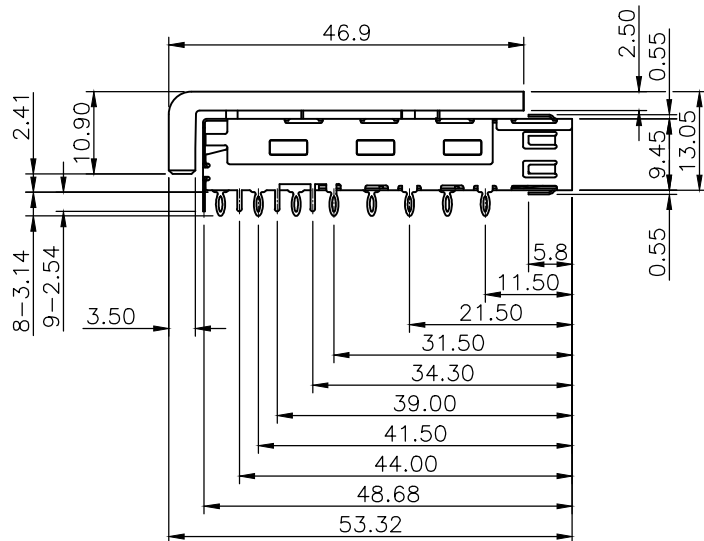
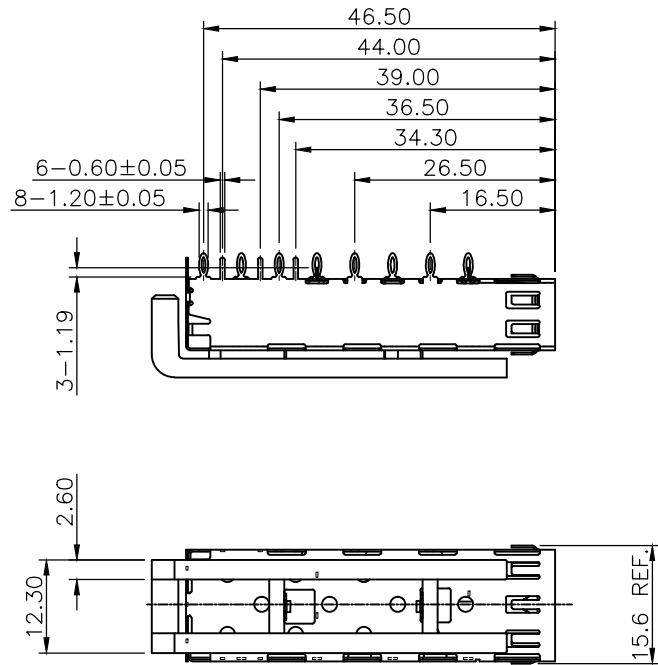
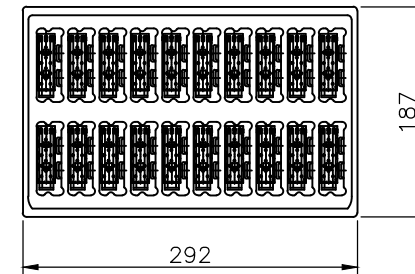


REV.	DESCRIPTION	DRAWN	DATE
1	INITIAL RELEASE	FROS	2016/08/17
2	CHANGE P/N	FROS	2016/10/11

PACKAGING SPECIFICATION:

- 20pcs/ Vacuum Dish
- 560pcs/ Carton
- Vacuum Dish size: 292x187x18mm
- Carton: 380x315x290mm

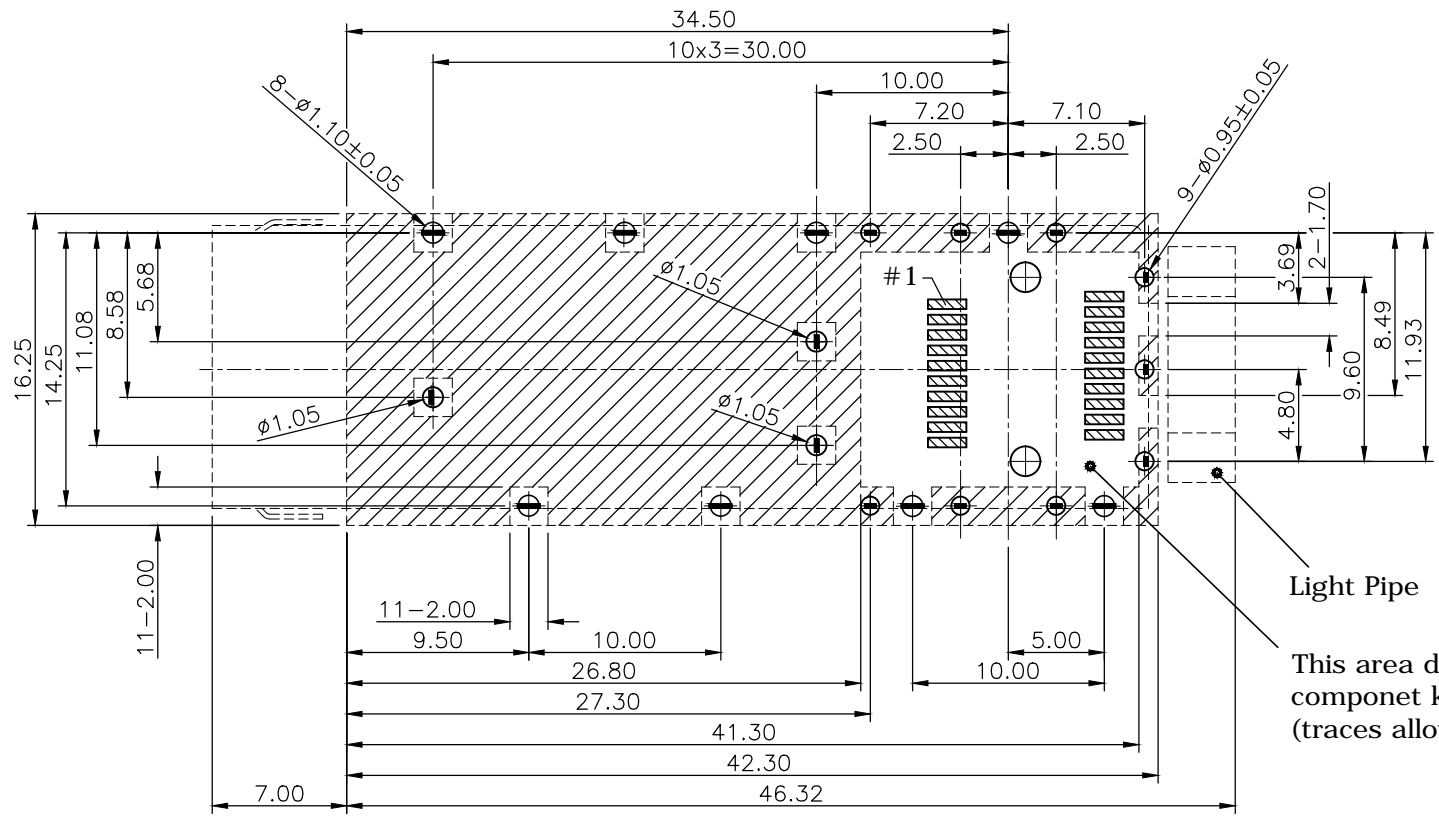


2	LIGHT PIPE	PC	
1	CAGE	Copper Alloy, Nickel Plating	
NO. PART NAME		DESCRIPTION	
UNLESS OTHERWISE SPECIFIED TOLERANCE			
UNIT:	DECIMAL	LINEAR	ANGLES
	mm	X. ±0.50	±5°
		X.X ±0.25	±3°
		X.XX ±0.12	±1°
DRAWN Fros 2016/08/17			DRAWN NAME: SFP Cage, 1x1 Press Fit Type w/Light Pipe
CHECKED Tim 2016/08/17			
APPROVED Ken 2016/08/17			PRODUCT NO. 223A-1105
SCALE 1/1 SHEET 1/2 SIZE A4			FILE NAME 223A-1105_B_2



WWW.ATTEND.COM.TW

REV.	DESCRIPTION	DRAWN	DATE
	SEE SHEET ONE		



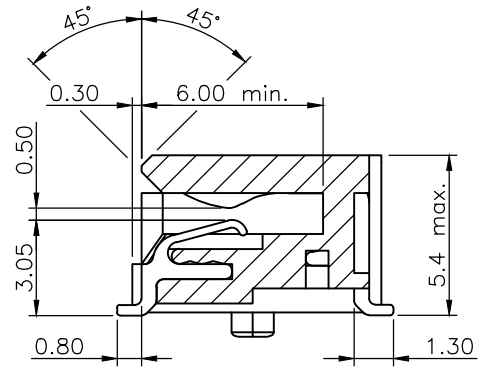
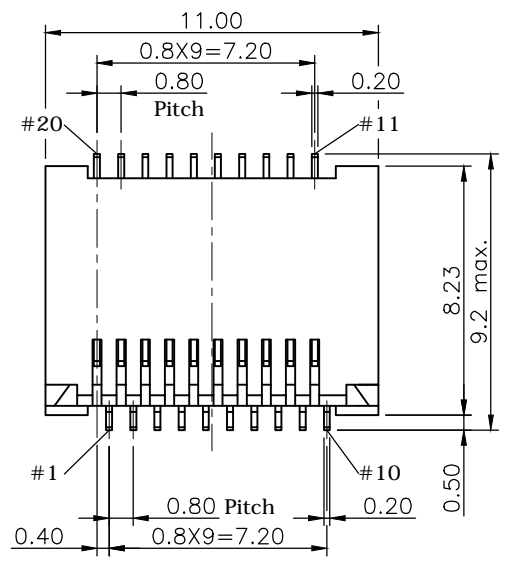
- Cage Boundary
- Component and trace keep-out (except chassis ground)
- Connector PAD

Light Pipe
 This area denotes component keep-out (traces allowed)

Recommended Layout (top view)
General Tolerance: ±0.05mm

UNLESS OTHERWISE SPECIFIED TOLERANCE							
UNIT:	DECIMAL	LINEAR	ANGLES			WWW.ATTEND.COM.TW	
mm	X.	±0.50	±5°			DRAWN NAME: SFP Cage, 1x1 Press Fit Type w/Light Pipe	
	X.X	±0.25	±3°			PRODUCT NO. 223A-1105	
	X.XX	±0.12	±1°	FILE NAME 223A-1105_B_2			
DRAWN	Fros	2016/08/17	DRAWN NAME: SFP Cage, 1x1 Press Fit Type w/Light Pipe				
CHECKED	Tim	2016/08/17	PRODUCT NO. 223A-1105				
APPROVED	Ken	2016/08/17	FILE NAME 223A-1105_B_2				
	SCALE 2.5/1	SHEET 2/2	SIZE A4				

REV.	DESCRIPTION	DRAWN	DATE
3	Add new P/N to 5u" plating	FROS	2016/08/17
4	CHANGE P/N	FROS	2016/10/11
5	Corrected	FROS	2019/05/06

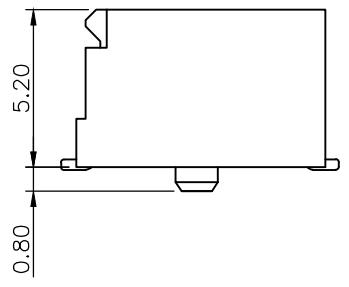
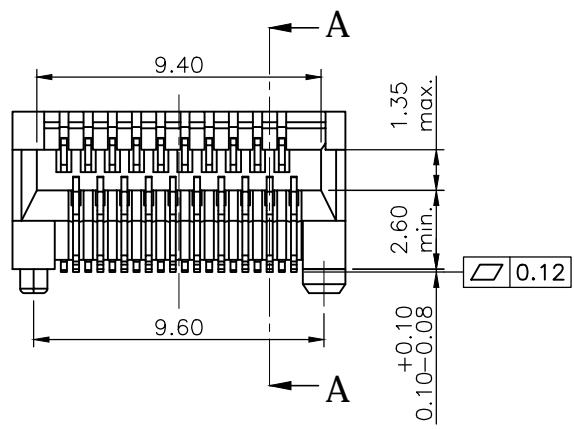


SECTION A-A

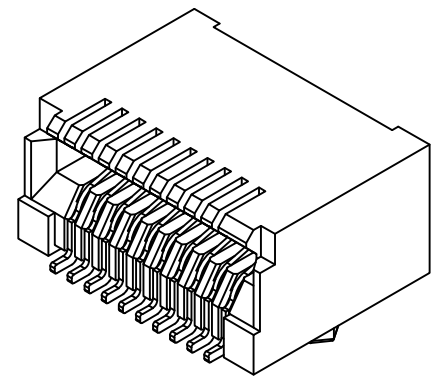
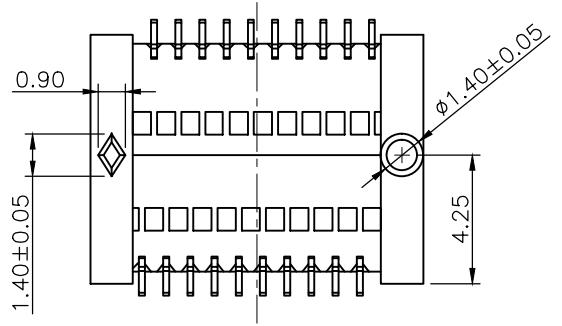
- SPECIFICATION:**
- ELECTRICAL**
 - Current Rating: 0.5A MAX.
 - Voltage Rating: 30V AC/DC
 - Contact Resistance: 20mΩ
 - Insulation Resistance: 500MΩ
 - Differential Impedance: 100Ω


- MECHANICAL**
 - MATERIAL:**
 - Housing: LCP UL94V-0, Black
 - Contact: Phosphor Bronze, 0.2T
 - Operating Life : 250 Cycles Min.

- ENVIRONMENTAL**
 - Operating temperature range: -40°C ~ +85°C
 - Storage temperature range: -40°C ~ +85°C
 - IR Temperature: 255°C ± 5°C (5 to 10 sec)

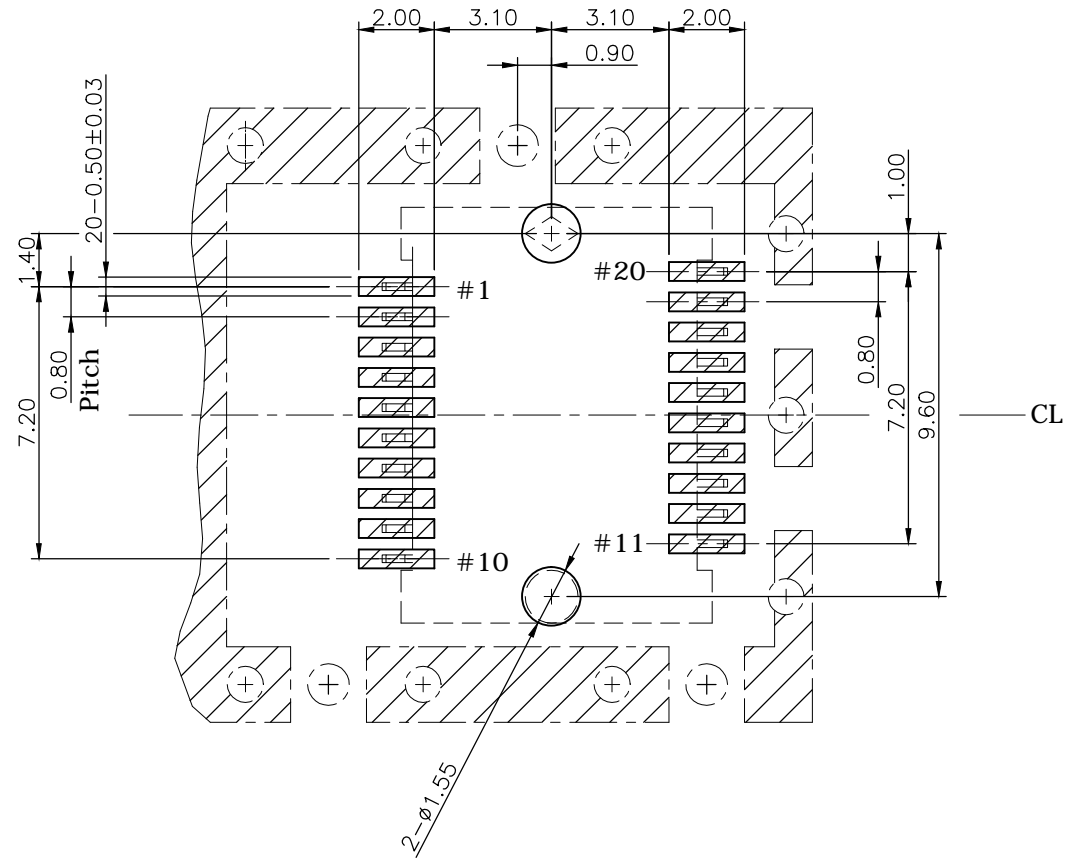


How to order
223A- 00 C 0
 ↑ ↑
 Connector 5u" Gold plating



UNLESS OTHERWISE SPECIFIED TOLERANCE					
UNIT:	DECIMAL	LINEAR	ANGLES		
mm	X.	±0.50	±5°	WWW.ATTEND.COM.TW	
	X.X	±0.25	±3°		
	X.XX	±0.12	±1°		
DRAWN	Willis	2009/10/14	DRAWN NAME: 1x1 SFP/SFP+ Connector 20Pin		
CHECKED	Angel	2009/10/14			
APPROVED	Ken	2009/10/14	PRODUCT NO.	223A-00C0	
SCALE	4/1	SHEET	1/2	SIZE	A4
			FILE NAME	223A-00C0_B_5	

REV.	DESCRIPTION	DRAWN	DATE
	SEE SHEET ONE		



- SFP CONNECTOR
- PAD
- CAGE

RECOMMENDED LAYOUT (TOP VIEW)
GENERAL TOLERANCE: ±0.05mm

UNLESS OTHERWISE SPECIFIED TOLERANCE							
UNIT:	DECIMAL	LINEAR	ANGLES			WWW.ATTEND.COM.TW	
mm	X.	±0.50	±5°			DRAWN NAME: 1x1 SFP/SFP+ Connector 20Pin	
	X.X	±0.25	±3°				
	X.XX	±0.12	±1°				
DRAWN	Willis	2009/10/14	DRAWN NAME: 1x1 SFP/SFP+ Connector 20Pin				
CHECKED	Angel	2009/10/14	DRAWN NAME: 1x1 SFP/SFP+ Connector 20Pin				
APPROVED	Ken	2009/10/14	PRODUCT NO.	223A-00C0			
	SCALE	SHEET	SIZE	FILE NAME	223A-00C0_B_5		
	5/1	2/2	A4				