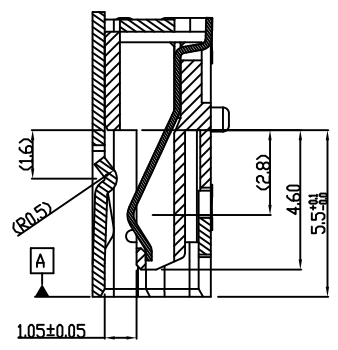
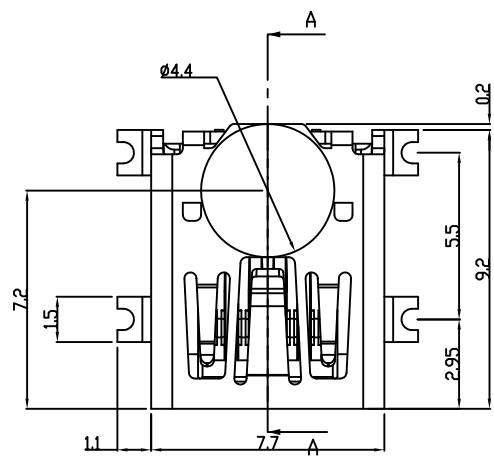
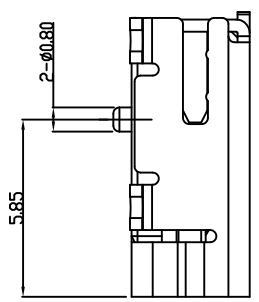
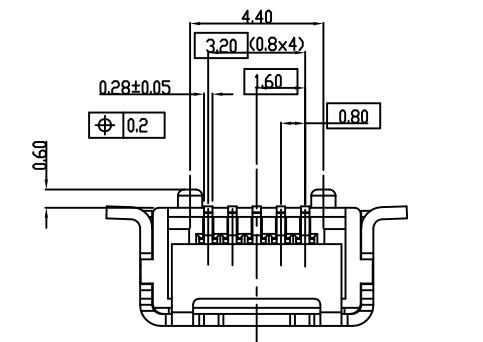
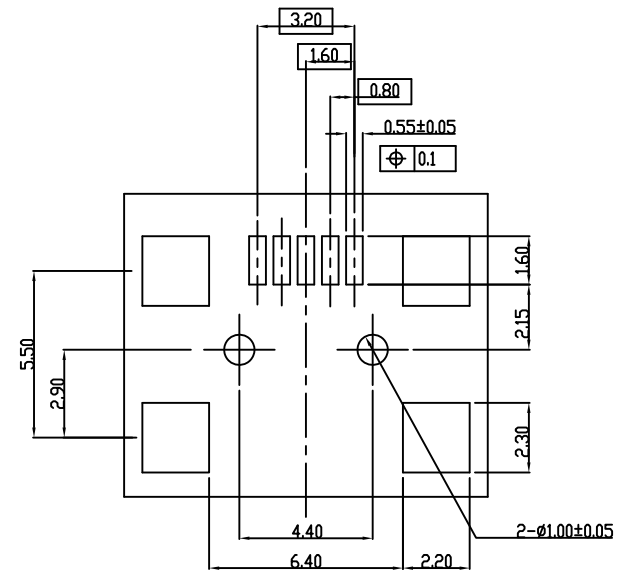


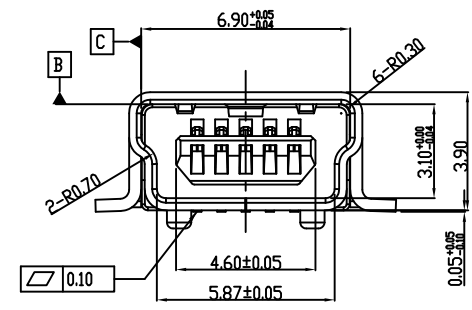
PRODUCT NO.	ITEM	PART NAME	Q'TY	MATERIAL	PLATING
202A-FBNR-R03	1	PLASTIC BODY	1	LCP Black	N/A
	2	CONTACT	1	C5191R-H	GOLD 30u"
	3	SHELL	1	C2680R-H	NI 100u"



SECTION A-A



RECOMMEND PC BOARD LAYOUT



202A-F B N R-R03
1 2 3 4 5

- 1.Type
- F:Female Type
- for PCB
- 2.Contact Plating
- B:30u" Gold Plating
- 3.Shell Plating
- N:Nickel Plating
- 4.Packing
- R:Reel
- 5.RoHS

REV.	DESCRIPTION	DATE	REV.	DESCRIPTION	DATE	UNLESS OTHERWISE SPECIFIED TOLERANCE	SCALE	AS SHOWN	UNIT: mm	DRAWN NAME:	PRODUCT NO.	FILE NAME
1			2			ANGLES	AS SHOWN	mm	Willis	202A-FBNR-R03	202A-FBNR-R03	202A-FBNR-R03_B_2
2			3			ANGLES			Angel	2012/08/03		
3			4			LINEAR			Ken	2012/08/03		
4			5			SCALE						
5			6			LINEAR						
6			7			SCALE						
7			8			SCALE						
8			9			SCALE						
9			10			SCALE						



www.attend.com.tw

Mini USB B Receptacle SMD Type

Revise:						DRAWN	Willis	2012/08/03	PRODUCT NO.	202A-FBNR-R03
Revise:						CHECKED	Angel	2012/08/03	FILE NAME	202A-FBNR-R03_B_2
Revise:						APPROVED	Ken	2012/08/03	REV.	1.0
REV.						SIZE	A4			