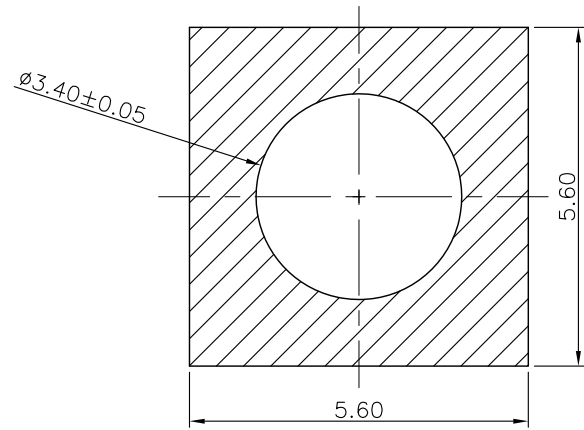
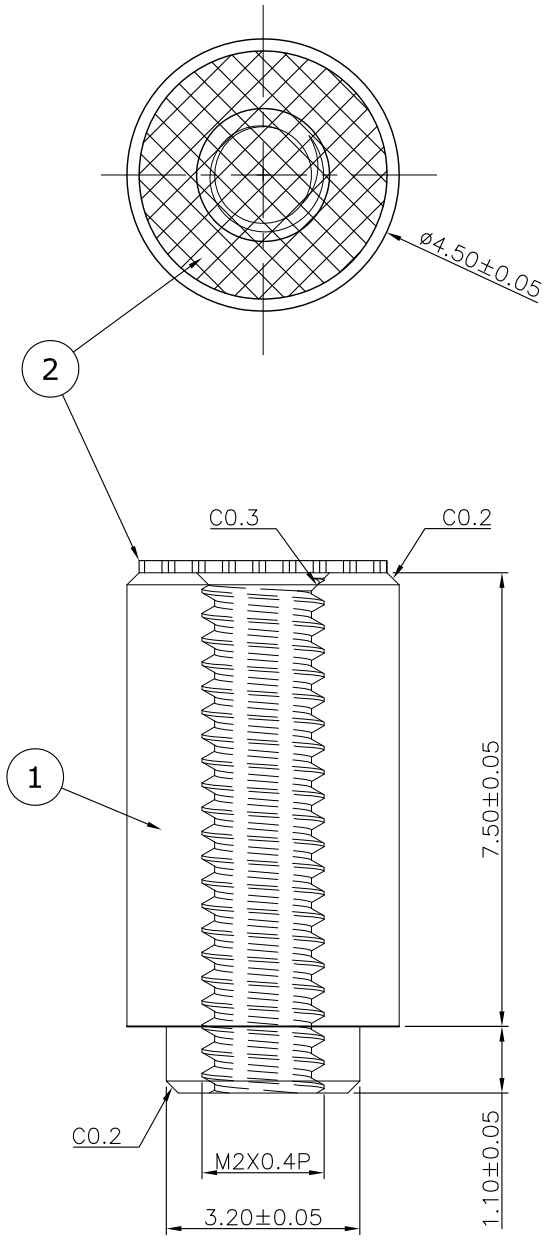


REV.	DESCRIPTION	DRAWN	DATE
1	INITIAL RELEASE	FROS	2019/08/14



RECOMMENDED PCB LAYOUT

2	MYLAR		
1	NUT	Copper alloy, Tin plated	
NO.	PART NAME	DESCRIPTION	
UNLESS OTHERWISE SPECIFIED TOLERANCE			
UNIT:	DECIMAL	LINEAR	ANGLES
mm	X.	±0.50	±5°
	X,X	±0.25	±3°
	X,XX	±0.12	±1°
DRAWN: Fros			2019/08/14
CHECKED: Tim			2019/08/14
APPROVED: Ken			2019/08/14
DRAWN NAME:		Mini PCI Express Stand Off	
PRODUCT NO.		119A-NUT-99-R02	
SCALE	SHEET	SIZE	FILE NAME
8/1	1/2	A4	119A-NUT-99-R02_B_1

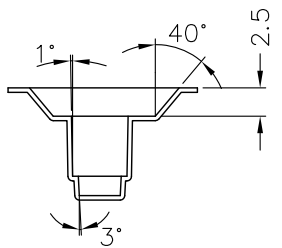
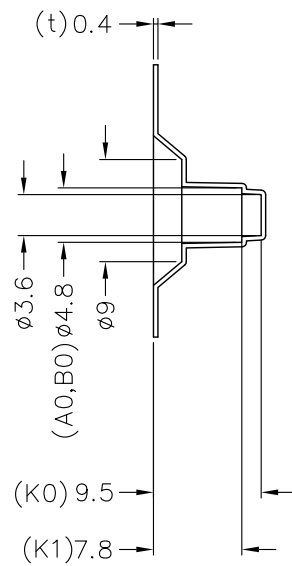
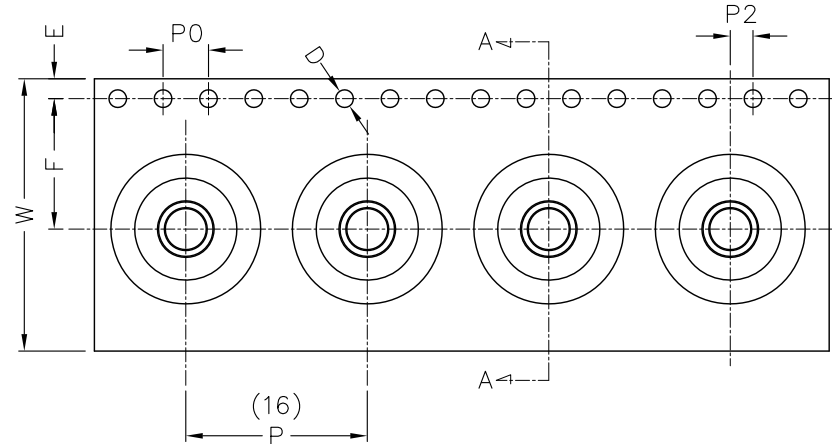


www.attend.com.tw


REV.	DESCRIPTION	DRAWN	DATE
1	INITIAL RELEASE	TIM	2019/09/12

NOTE:

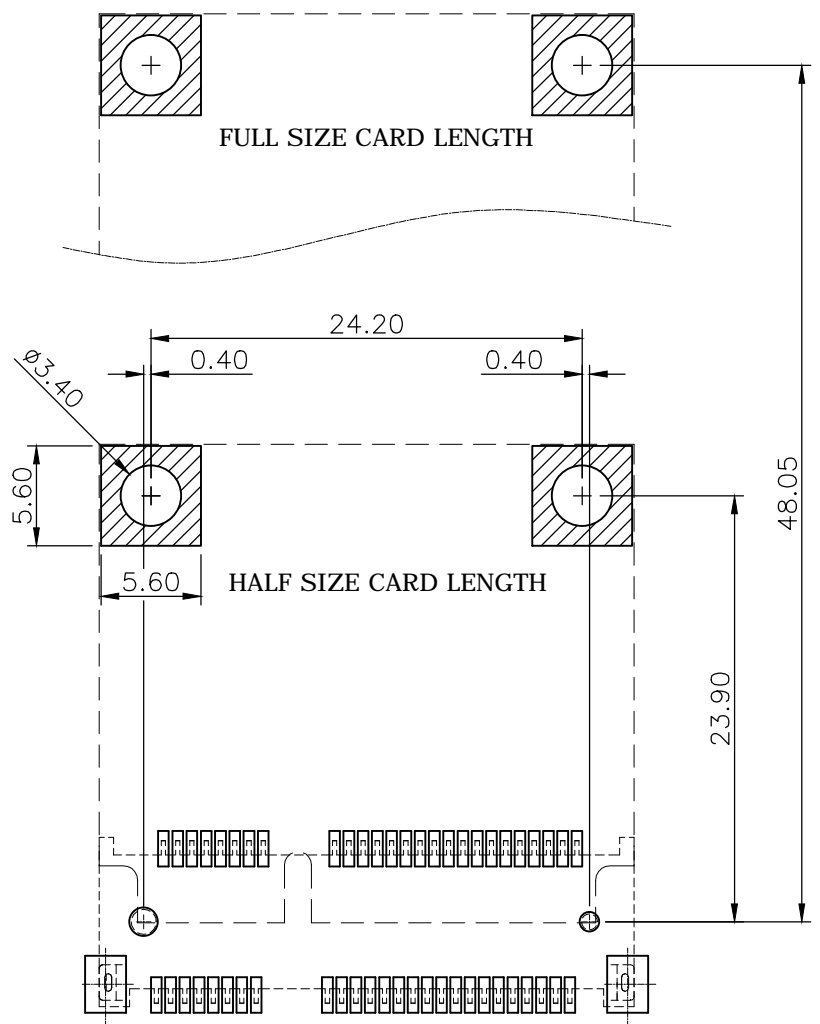
1. MATERIAL: Black Anti-static Polystyrene ,T=0.4mm
2. Reel: 300 PCS




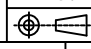
ITEM	W	A ₀	B ₀	K ₀	K ₁	P	F	E	D	D ₁	P ₀	P ₂
DIM	24.0 ^{+0.30} _{-0.30}	4.80 ^{+0.20} _{-0.10}	4.80 ^{+0.20} _{-0.10}	9.50 ^{+0.20} _{-0.10}	7.80 ^{+0.20} _{-0.10}	16.0 ^{+0.10} _{-0.10}	11.50 ^{+0.10} _{-0.10}	1.75 ^{+0.10} _{-0.10}	1.50 ^{+0.10} _{-0.00}	0.00 ^{+0.25} _{-0.00}	4.00 ^{+0.10} _{-0.10}	2.00 ^{+0.10} _{-0.10}

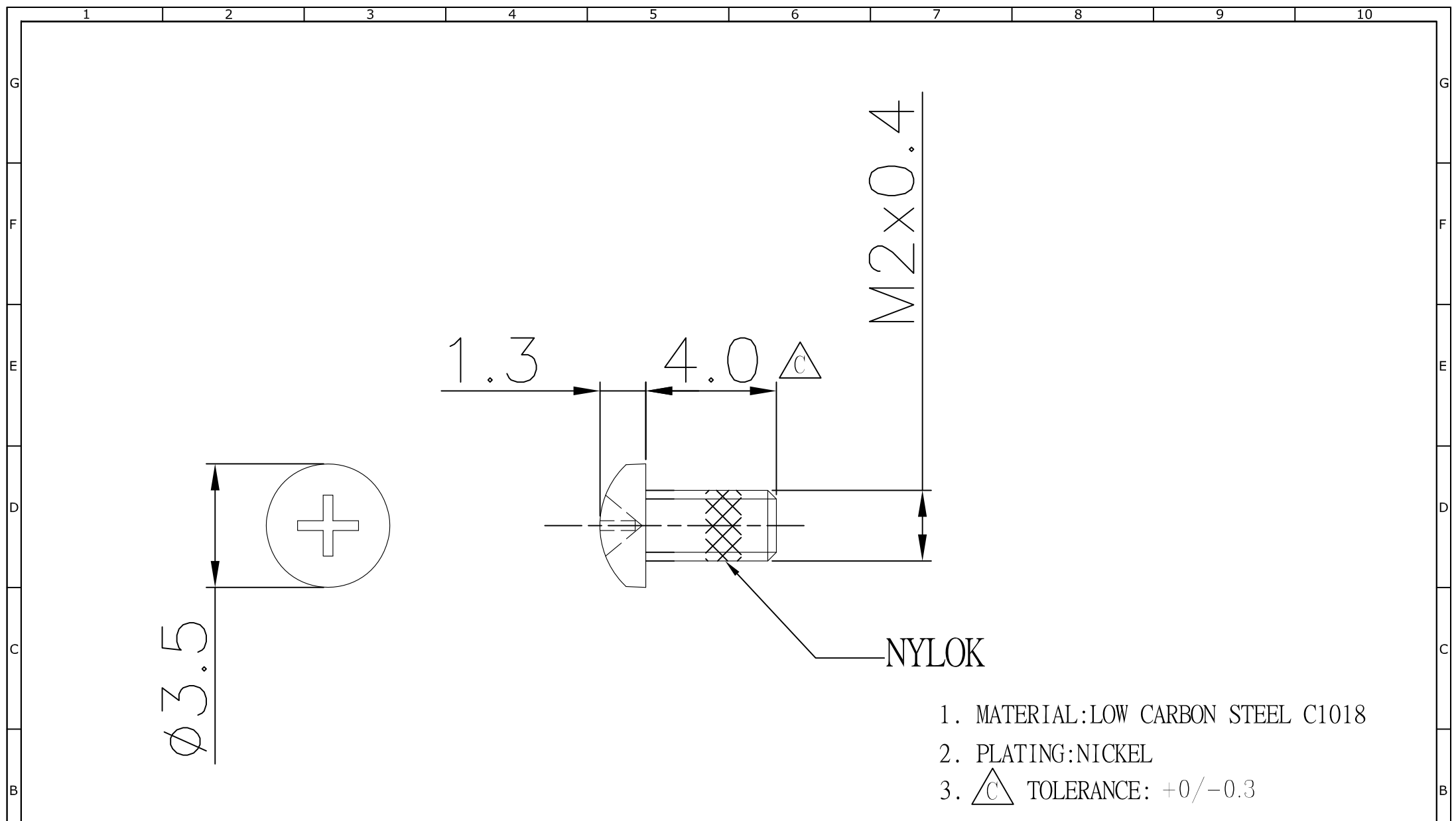
UNLESS OTHERWISE SPECIFIED TOLERANCE				 www.attend.com.tw
UNIT:	DECIMAL	LINEAR	ANGLES	
mm	X.	±0.50	±5°	
	X.X	±0.25	±3°	
	X.XX	±0.12	±1°	
DRAWN	Tim	2019/09/12	DRAWN NAME:	
CHECKED	Fros	2019/09/12	NUT M2, H=7.4mm	
APPROVED	Ken	2019/09/12	for miniPCI Express Conn H=9.9mm Packing	
	SCALE	SHEET	SIZE	PRODUCT NO.
	1.5/1	1/1	A4	119A-NUT-99-R02
			FILE NAME	119A-NUT-99-R02_D_1

REV.	DESCRIPTION	DRAWN	DATE
1	Initial Release	FROS	2020/04/16



RECOMMEND LAYOUT (TOP VIEW)
GENERAL TOLERANCE: ±0.05

UNLESS OTHERWISE SPECIFIED TOLERANCE				 WWW.ATTEND.COM.TW	
UNIT:	DECIMAL	LINEAR	ANGLES		
mm	X.	±0.50	±5°		
	X.X	±0.25	±3°		
	X.XX	±0.12	±1°		
DRAWN	Fros	2020/04/16	DRAWN NAME: Mini PCI Express Stand Off Layout		
CHECKED	Tim	2020/04/16	PRODUCT NO.		
APPROVED	Ken	2020/04/16	FILE NAME 119A-NUT-XX-R02_LAYOUT		
 SCALE 6.25		SHEET 1/1	SIZE A4		



1. MATERIAL: LOW CARBON STEEL C1018
2. PLATING: NICKEL
3. $\triangle C$ TOLERANCE: +0/-0.3

						NOTES:			UNLESS OTHERWISE SPECIFIED TOLERANCE			ATTEND www.attend.com.tw		
									ANGLES	ANG.	±5°			
									LINEAR	0.	±0.3			
										0.00	±0.25			
									SCALE	AS SHOWN	UNIT: mm			
									DRAWN	Willis	2013/01/25	DRAWN NAME: Mini PCI Express M2 Nylok Screw		
									CHECKED	Angel	2013/01/25			
									APPROVED	Ken	2013/01/25	PRODUCT NO. 119A-Screw-R02 FILE NAME 119A-Screw-R02_B_2		
									REV.	1.0				
REV.	DESCRIPTION		DATE	REV.	DESCRIPTION		DATE	SIZE A4		REV.	1.0			
1				4						8				
2				5						9				
3				6						10				