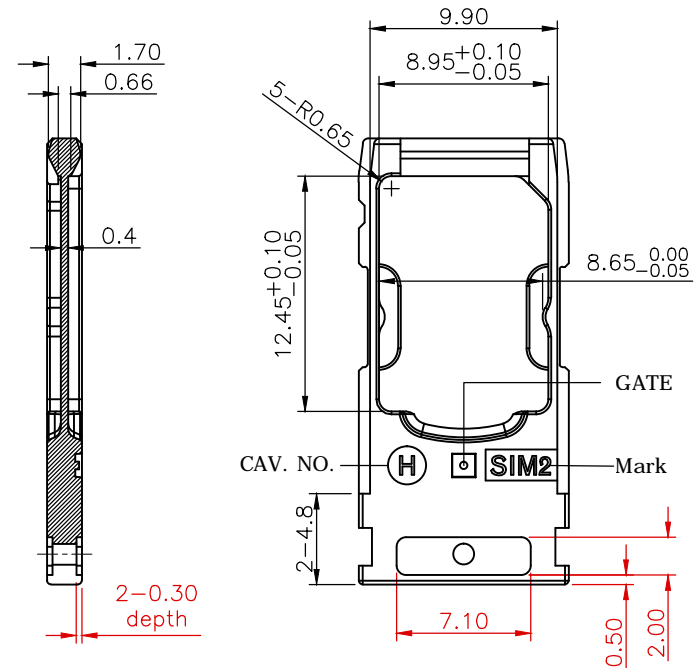
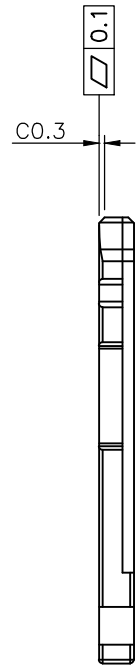
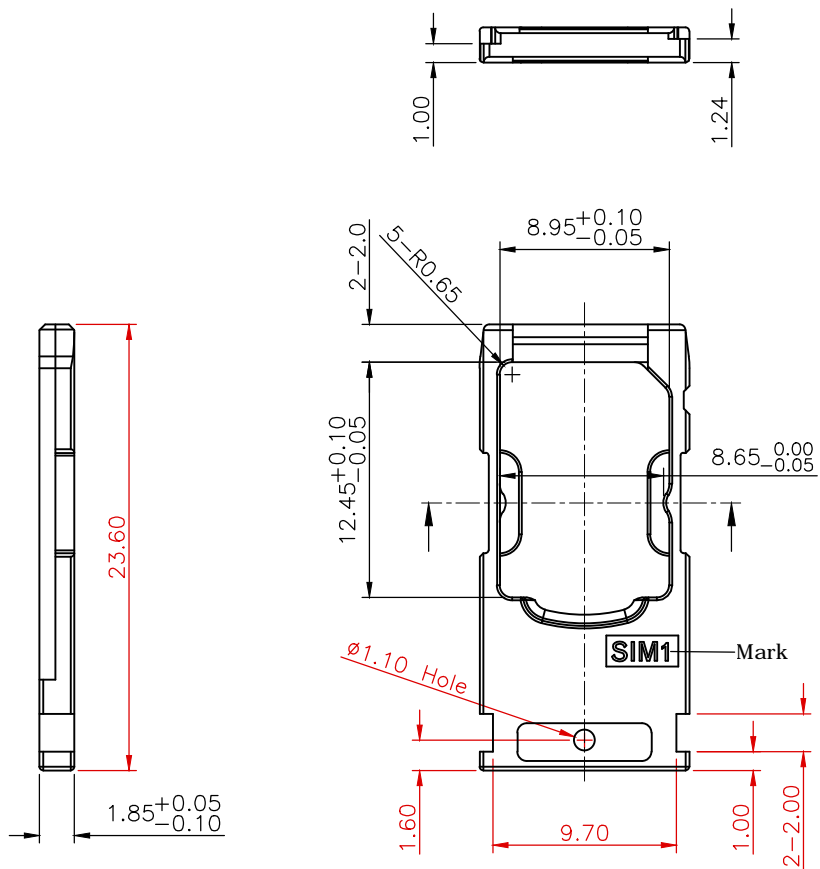
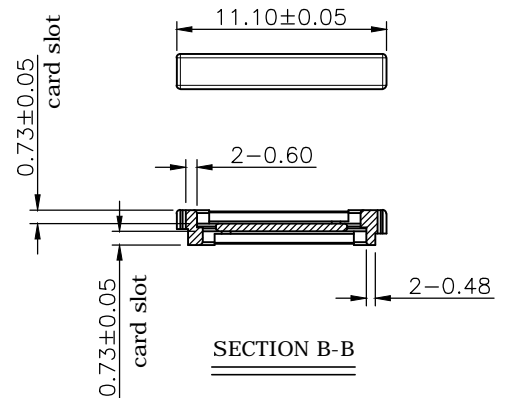


REV.	DESCRIPTION	DRAWN	DATE
A	ENGINEERING VERSION	FROS	2023/02/02
1	INITIAL RELEASE	FROS	2023/03/10
2	ECR2300007	FROS	2023/11/01




SECTION A-A

- NOTE:**
- MATERIAL: PBT, UL 94V-0, Black
 - Operating & storage temp. range: -40°C~ +105°C



SECTION B-B

UNLESS OTHERWISE SPECIFIED TOLERANCE					
UNIT:	DECIMAL	LINEAR	ANGLES		
mm	X.	±0.50	±5°	www.attend.com.tw	
	X.X	±0.25	±3°		
	X.XX	±0.12	±1°		
DRAWN	Fros	2021/08/10	DRAWN NAME:		
CHECKED	Tim	2021/08/10	Card Tray, Used for 115U-B100, PBT, Black, Bag, 23.6L		
APPROVED	Ken	2021/08/10	PRODUCT NO.	115U-T005	
SCALE	2.5/1	SHEET	1/1	SIZE	A4
			FILE NAME	115U-T005_B_2	