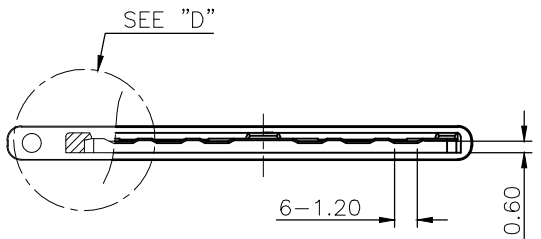
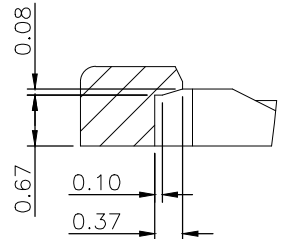


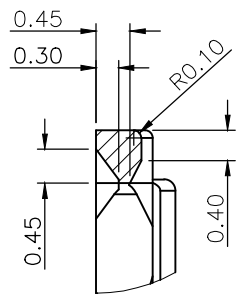
REV.	DESCRIPTION	DRAWN	DATE
1	INITIAL RELEASE	TIM	2023/05/18
2	ECR2400001	Fros	2024/02/29



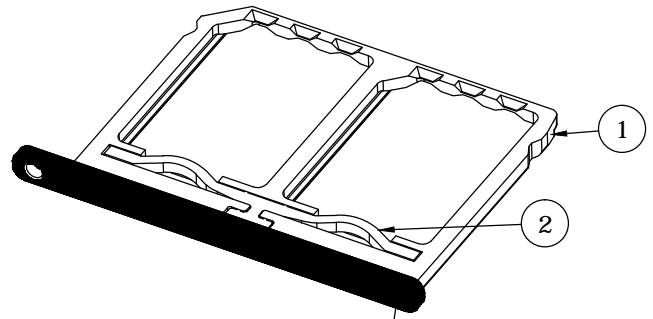
**SECTION C-C**



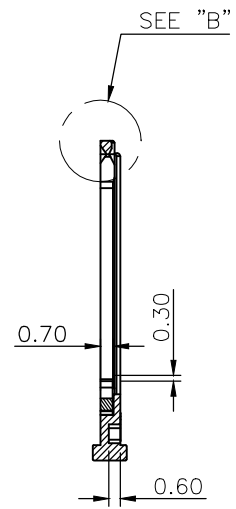
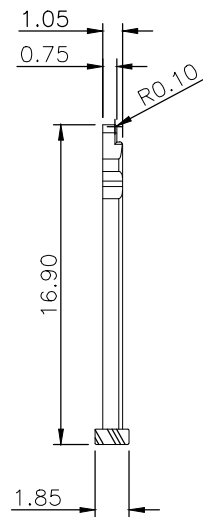
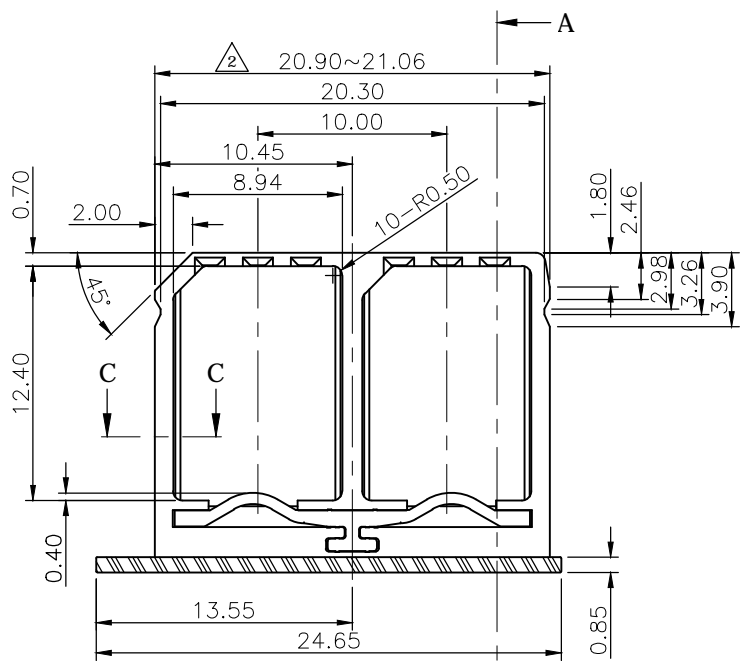
**DETAIL D  
Scale 10/1**



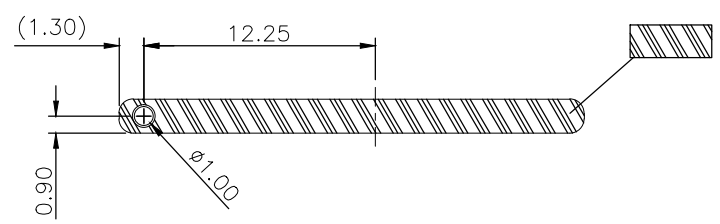
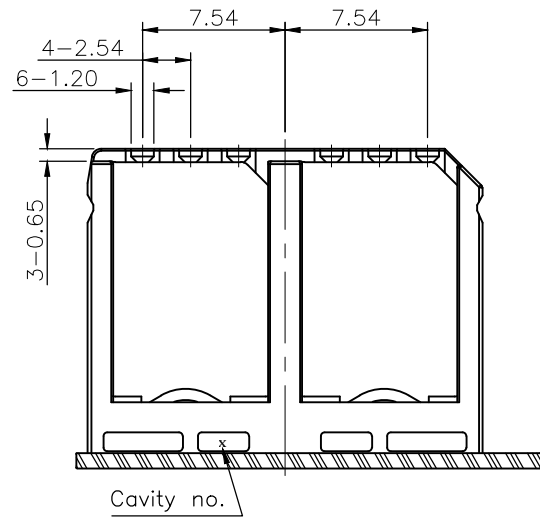
**DETAIL B  
Scale 10/1**



**Black Panel**



**SECTION A-A**



**Paint: Black**

2	Card Clip	Nylon		
1	Tray	Stainless steel		
NO.	PART NAME	DESCRIPTION		
UNLESS OTHERWISE SPECIFIED TOLERANCE				
UNIT:	DECIMAL	LINEAR	ANGLES	
mm	X.	±0.50	±5°	
	X.X	±0.25	±3°	
	X.XX	±0.12	±1°	
www.attend.com.tw				
DRAWN	Tim	2023/05/18	DRAWN NAME: Nano SIM Tray, Dual Card, SUS316 16.9mm, Reel, With Card Clip, Black Panel	
CHECKED	Fros	2023/05/18		
APPROVED	Ken	2023/05/18	PRODUCT NO. 115S-BT02A	
	SCALE 2.5	SHEET 1/1	SIZE A4	FILE NAME 115S-BT02A_B_2

